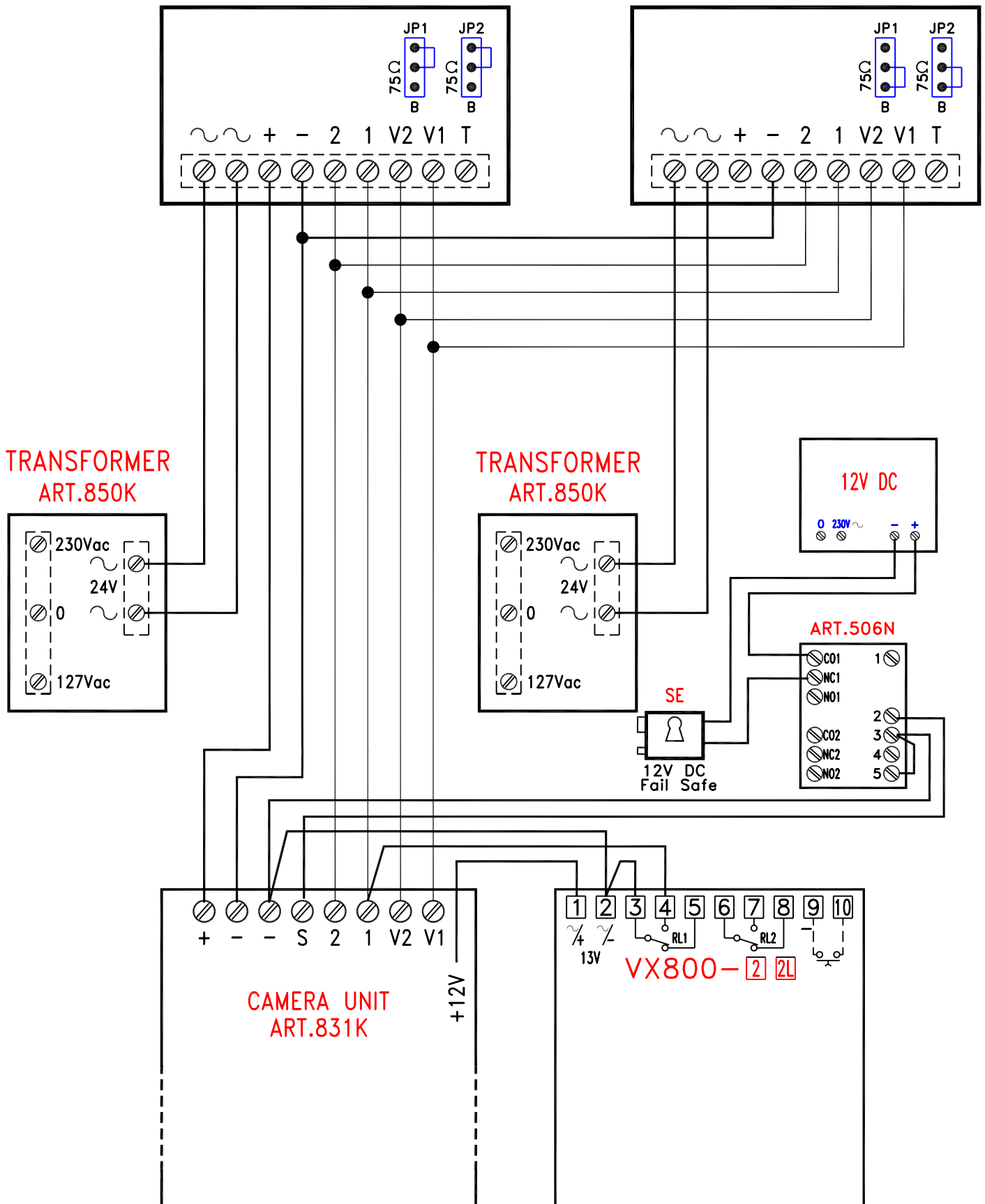


# VIDEOPHONE

ART.901K

# VIDEOPHONE

ART.901K



VIDEX ELECTRONICS S.r.l.

DENOMINAZIONE: VIDEOKIT VKC6 + ADDITIONAL VIDEOPHONE

COD.FILE: 97912155

DATA: 09/12/97