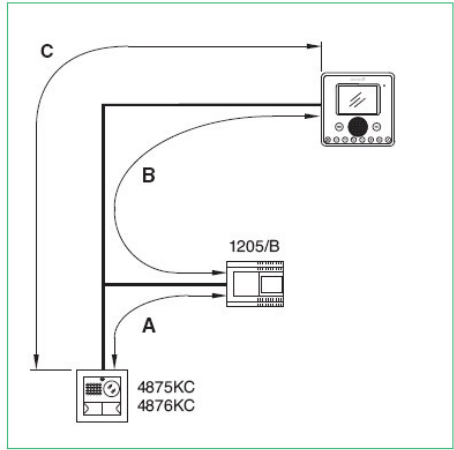
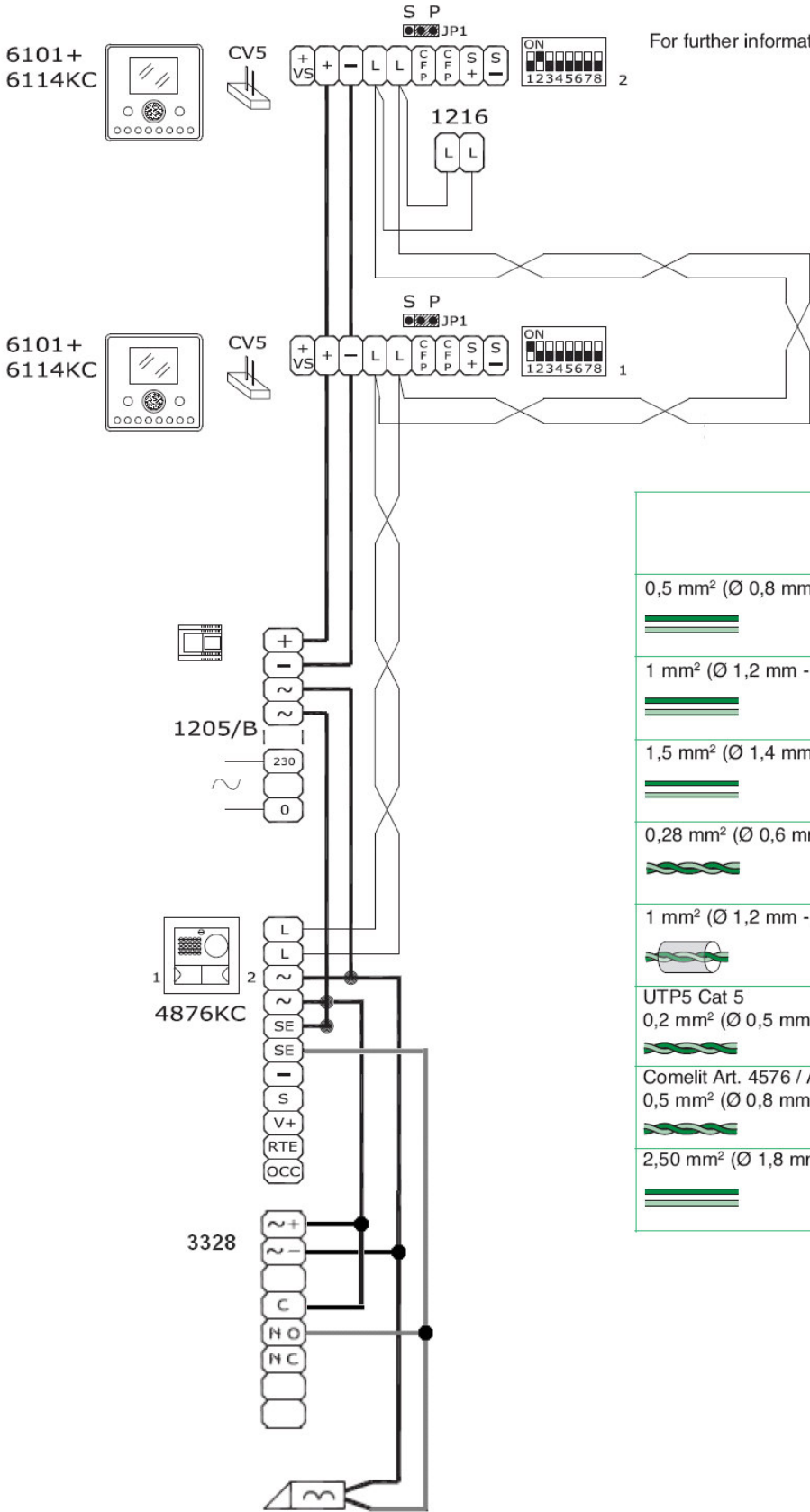


For further information on distances, see MT/KIT/14.



	A (max)	B (max)	C (max)
0,5 mm ² (Ø 0,8 mm - Ø 8/10 AWG 20) 	20 m (65 feet)	25 m (85 feet)	150 m (495 feet)
1 mm ² (Ø 1,2 mm - Ø 12/10 AWG 17) 	40 m (130 feet)	50 m (165 feet)	150 m (495 feet)
1,5 mm ² (Ø 1,4 mm - Ø 14/10 AWG 15) 	60 m (195 feet)	100 m (325 feet)	150 m (495 feet)
0,28 mm ² (Ø 0,6 mm - Ø 6/10 AWG 23) 			150 m (495 feet)
1 mm ² (Ø 1,2 mm - Ø 12/10 AWG 17) 			100 m (325 feet)
UTP5 Cat 5 0,2 mm ² (Ø 0,5 mm - Ø 5/10 AWG 24) 			150 m (495 feet)
Comelit Art. 4576 / Art. 4578 0,5 mm ² (Ø 0,8 mm - Ø 8/10 AWG 20) 			150 m (495 feet)
2,50 mm ² (Ø 1,8 mm - Ø 18/10 AWG 13) 	100 m (325 feet)	150 m (495 feet)	

AC Release (12V)