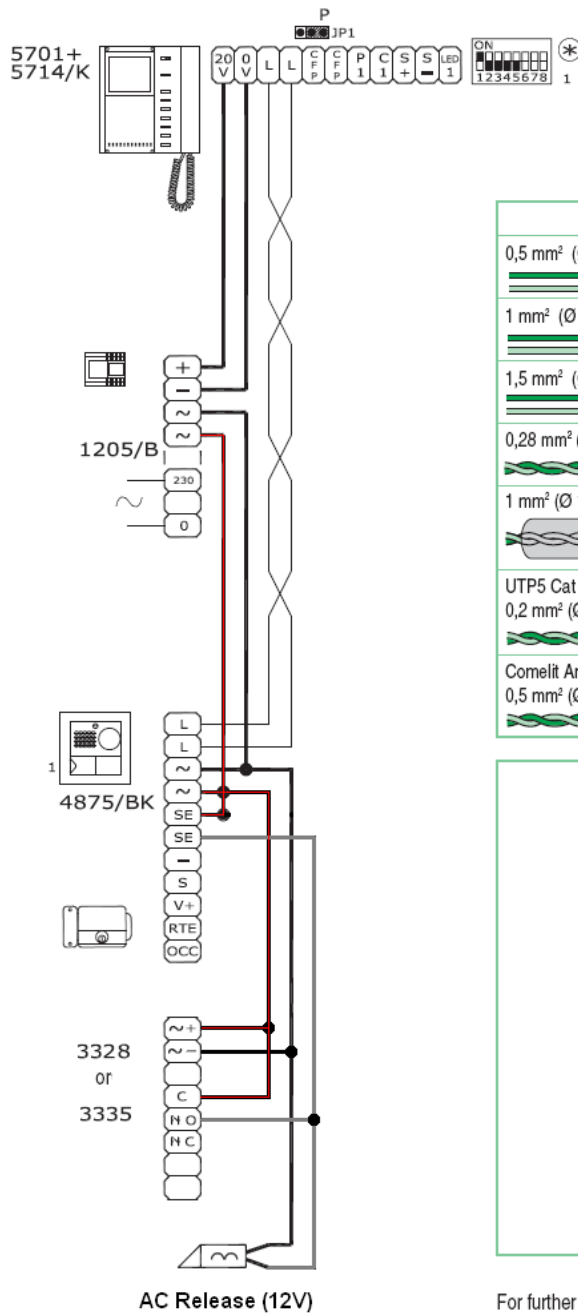
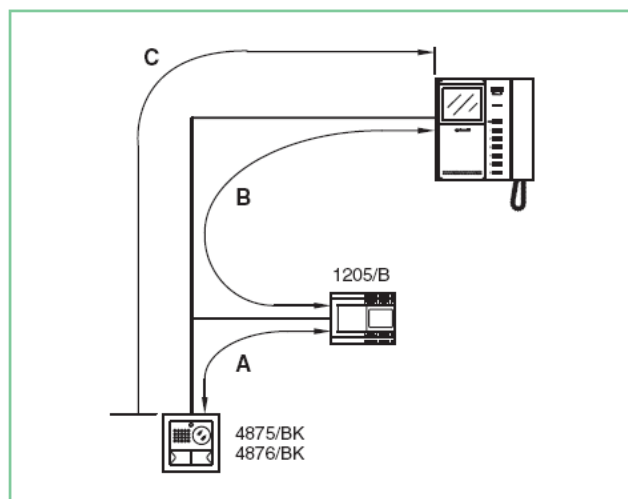


8171 Bravo kit with additional module (i.e. 3328 keycode, 3335 FOB reader)



	A (max)	B (max)	C (max)
0,5 mm ² (Ø 0,8 mm - Ø 8/10)	20 m	25 m	150 m
1 mm ² (Ø 1,2 mm - Ø 12/10)	40 m	50 m	150 m
1,5 mm ² (Ø 1,4 mm - Ø 14/10)	60 m	100 m	150 m
0,28 mm ² (Ø 0,6 mm - Ø 6/10)			150 m
1 mm ² (Ø 1,2 mm - Ø 12/10)			100 m
UTP5 Cat 5 AWG 24 0,2 mm ² (Ø 0,5 mm - Ø 5/10)			150 m
Comelit Art. 4576 e/and/et Art. 4578 0,5 mm ² (Ø 0,8 mm - Ø 8/10)			150 m



For further information about distances refer to pages 36 and 37.

* N.B. The S1-6, S1-7 and S1-8 settings depend on the configuration required (see table on page 40).

RELAY

