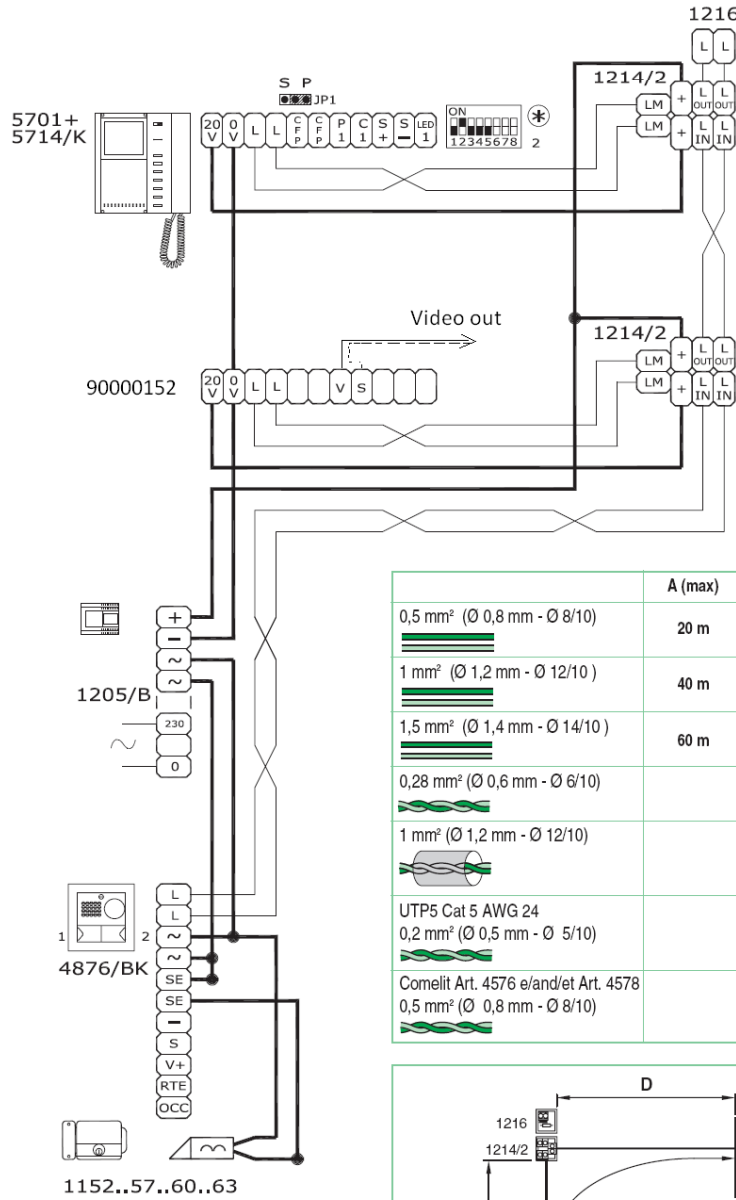
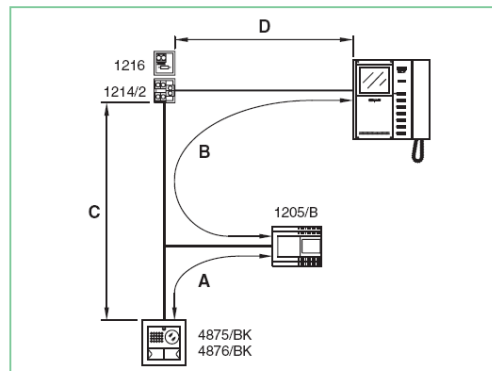


8171 kit wiring in star with an additional video extraction card (90000152)



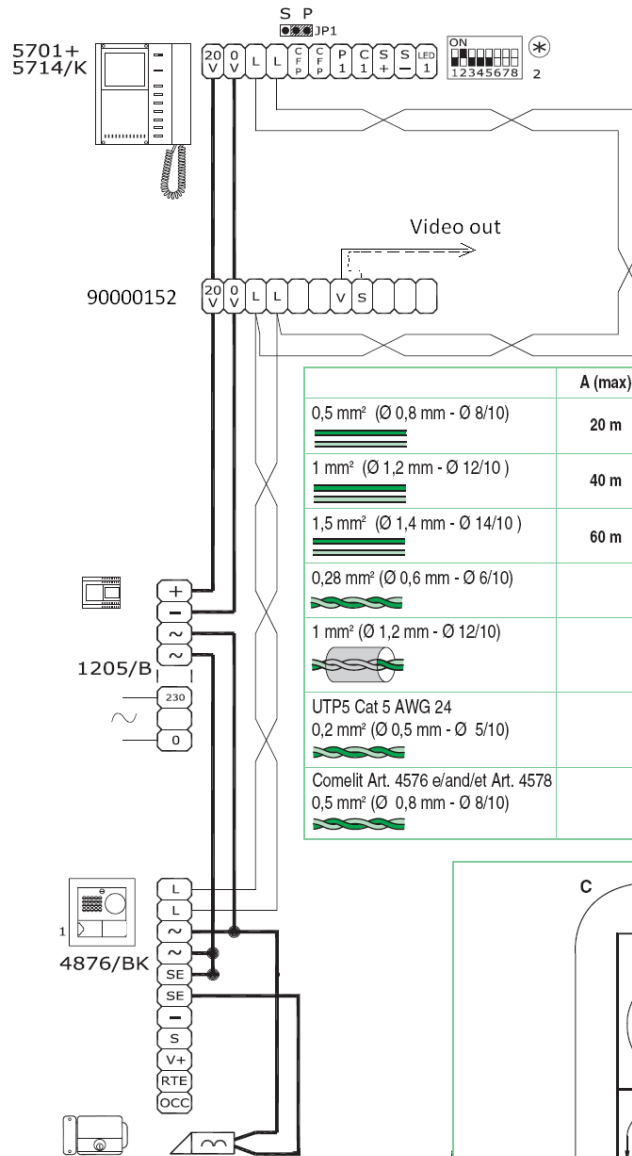
	A (max)	B (max)	C (max)	D (max)	Art. 1216
0,5 mm ² (Ø 0,8 mm - Ø 8/10)	20 m	25 m	150 m	40 m	
1 mm ² (Ø 1,2 mm - Ø 12/10)	40 m	50 m	150 m	40 m	
1,5 mm ² (Ø 1,4 mm - Ø 14/10)	60 m	100 m	150 m	40 m	
0,28 mm ² (Ø 0,6 mm - Ø 6/10)			150 m	40 m	
1 mm ² (Ø 1,2 mm - Ø 12/10)			100 m	20 m	
UTP5 Cat 5 AWG 24 0,2 mm ² (Ø 0,5 mm - Ø 5/10)			150 m	40 m	
Comelit Art. 4576 e/and/et Art. 4578 0,5 mm ² (Ø 0,8 mm - Ø 8/10)			150 m	50 m	



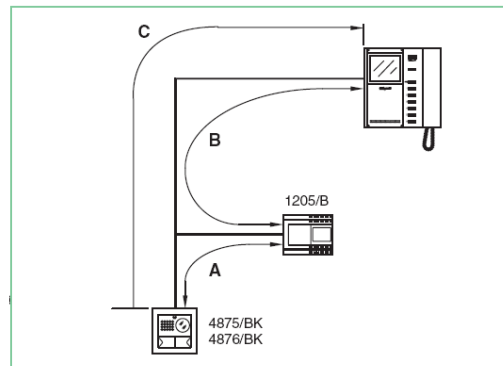
For further information about distances refer to pages 36 and 37.

⊛ N.B. The S1-6, S1-7 and S1-8 settings depend on the configuration required (see table on page 40).

8171 kit wiring in cascade with an additional video extraction card (90000152).



	A (max)	B (max)	C (max)	Art. 1216
0,5 mm ² (Ø 0,8 mm - Ø 8/10)	20 m	25 m	150 m	
1 mm ² (Ø 1,2 mm - Ø 12/10)	40 m	50 m	150 m	
1,5 mm ² (Ø 1,4 mm - Ø 14/10)	60 m	100 m	150 m	
0,28 mm ² (Ø 0,6 mm - Ø 6/10)			150 m	
1 mm ² (Ø 1,2 mm - Ø 12/10)			100 m	
UTP5 Cat 5 AWG 24 0,2 mm ² (Ø 0,5 mm - Ø 5/10)			150 m	
Comelit Art. 4576 e/and/et Art. 4578 0,5 mm ² (Ø 0,8 mm - Ø 8/10)			150 m	



* Local door-opener pushbutton control

For further information about distances refer to pages 36 and 37.

⊛ N.B. The S1-6, S1-7 and S1-8 settings depend on the configuration required (see table on page 40).