

Installation Notes:

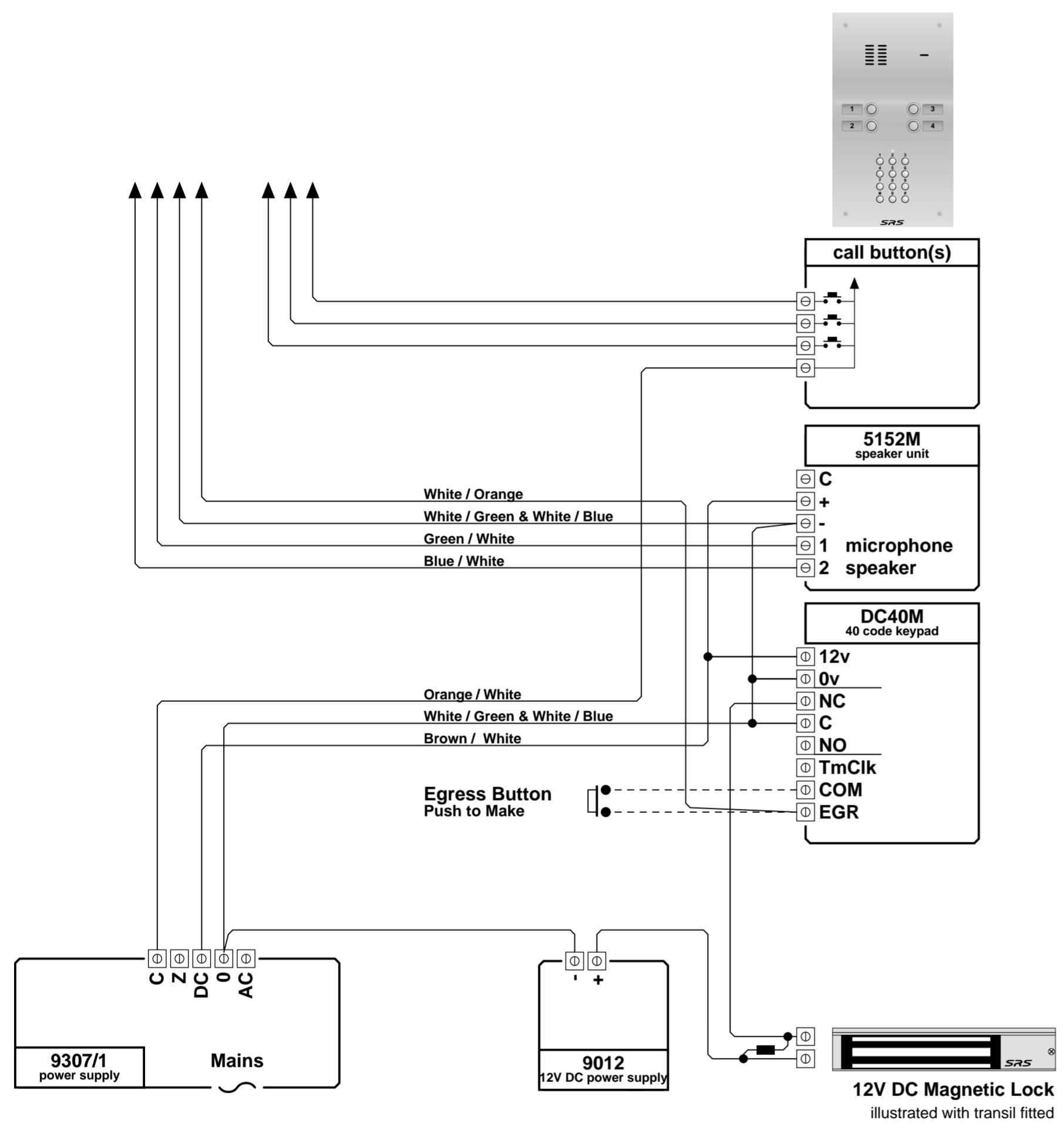
The 9307.1 power supply is capable of providing 12V DC, 500mA. Most magnetic locks draw at least 500mA, therefore an additional power supply is always required.

The additional power supply is connected with the least number of wires by linking the negative (-ve) of the additional power supply to the negative (-ve) of the 9307.1 power supply.

One side of the magnetic lock is permanently supplied with the 12V positive (+ve) and the negative supply the magnetic lock is switched either through the relay on the keypad or the relay of the 9307.2 (depending upon your installation)

Connection of magnetic lock

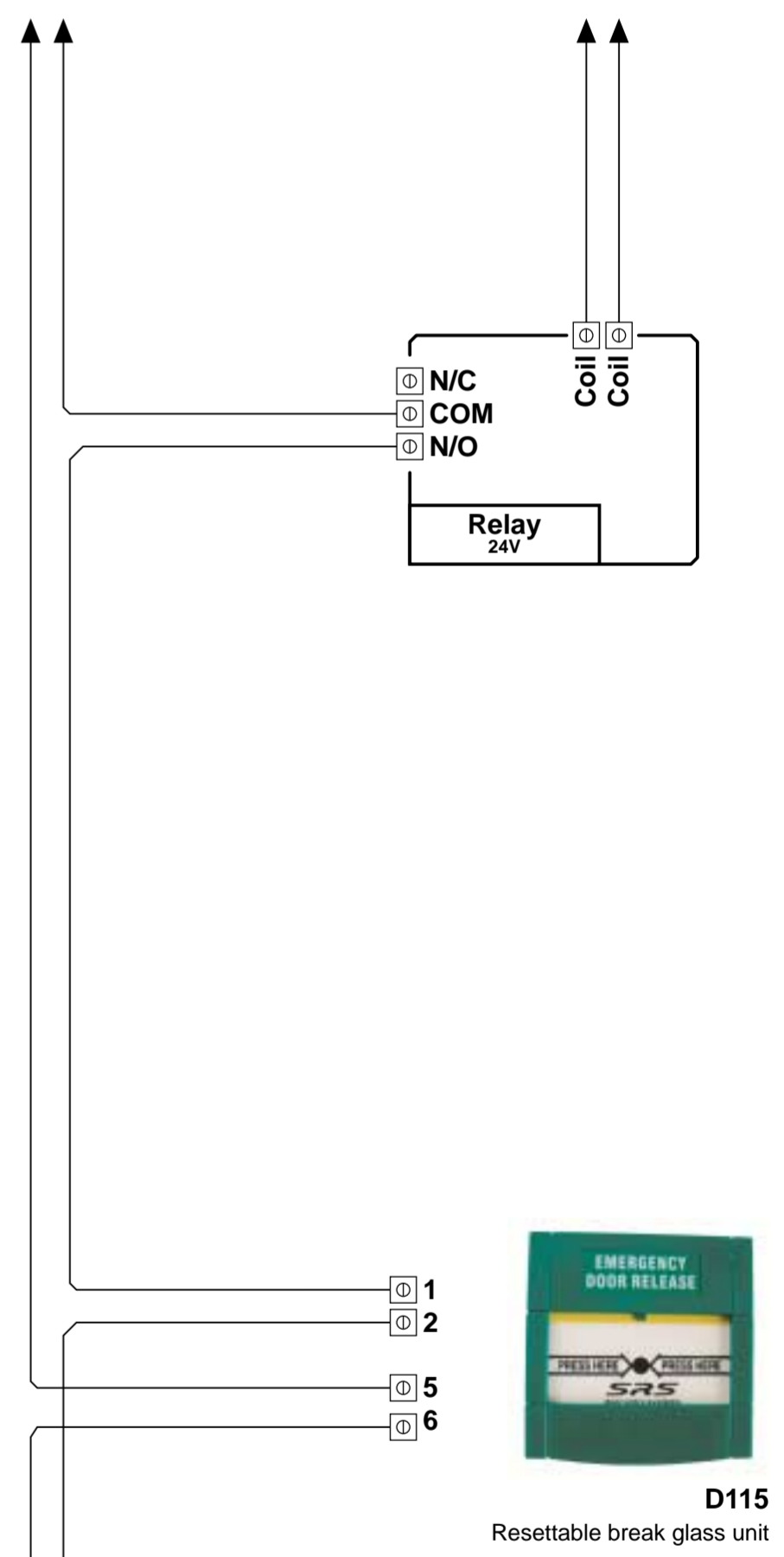
Connection to SRS door entry system with keypad access control



Connection to fire alarm

Connection to SRS door entry system with keypad access control

<p>From power supply 12V DC 1 Amp Supplied by door entry system as shown opposite</p>	<p>To fire alarm panel 24V supplied in non alarm condition. Power removed in alarm condition</p>
--	---



Connection of magnetic lock

Connection to SRS door entry system with 9307.2 lock timer relay

