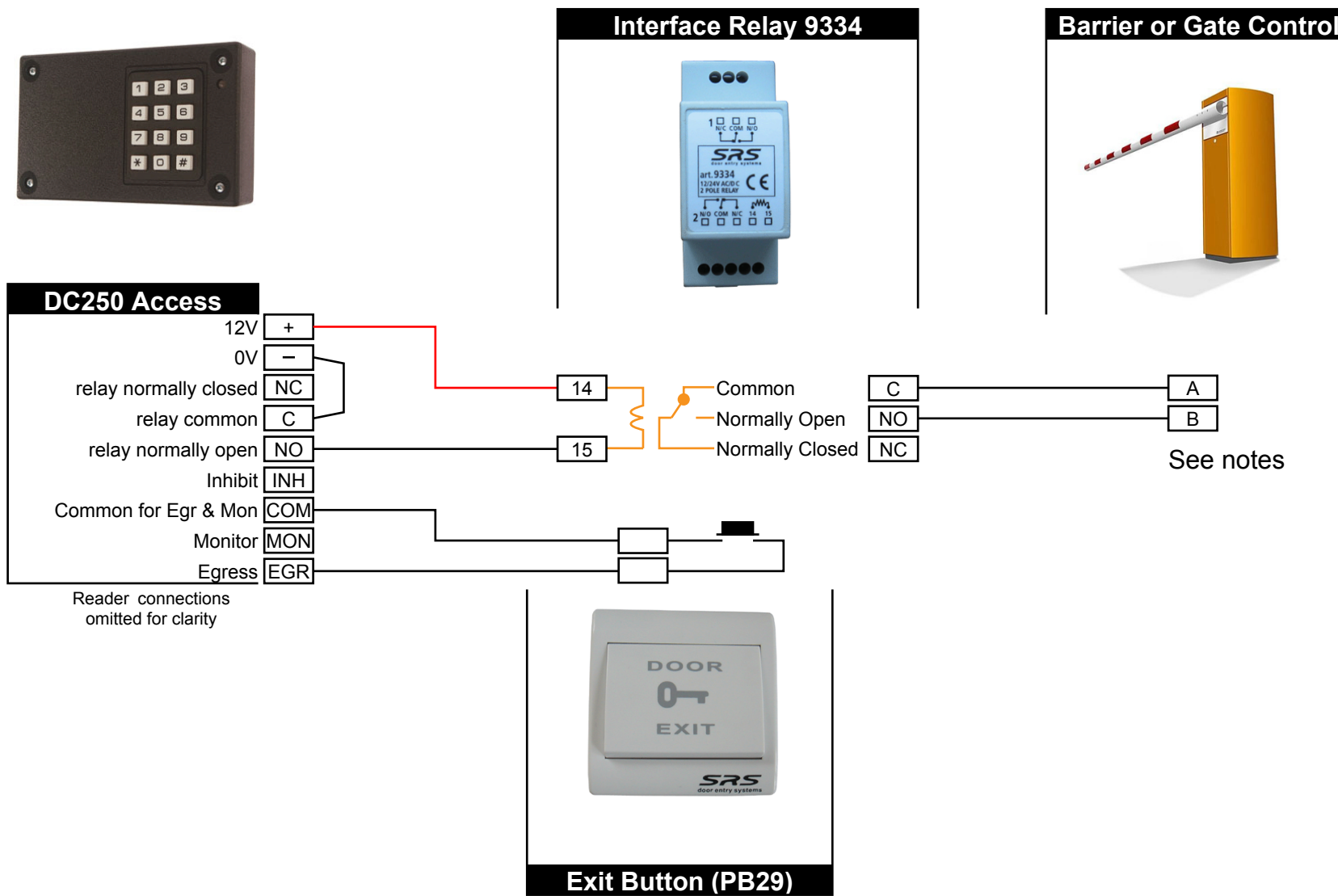


Electric Locking Connections Connecting an electric strike (or any 12V DC fail locked release)

Connection to DC250 Access Control



Installation Notes

Only connections relevant to the Barrier or Gate controller are shown.

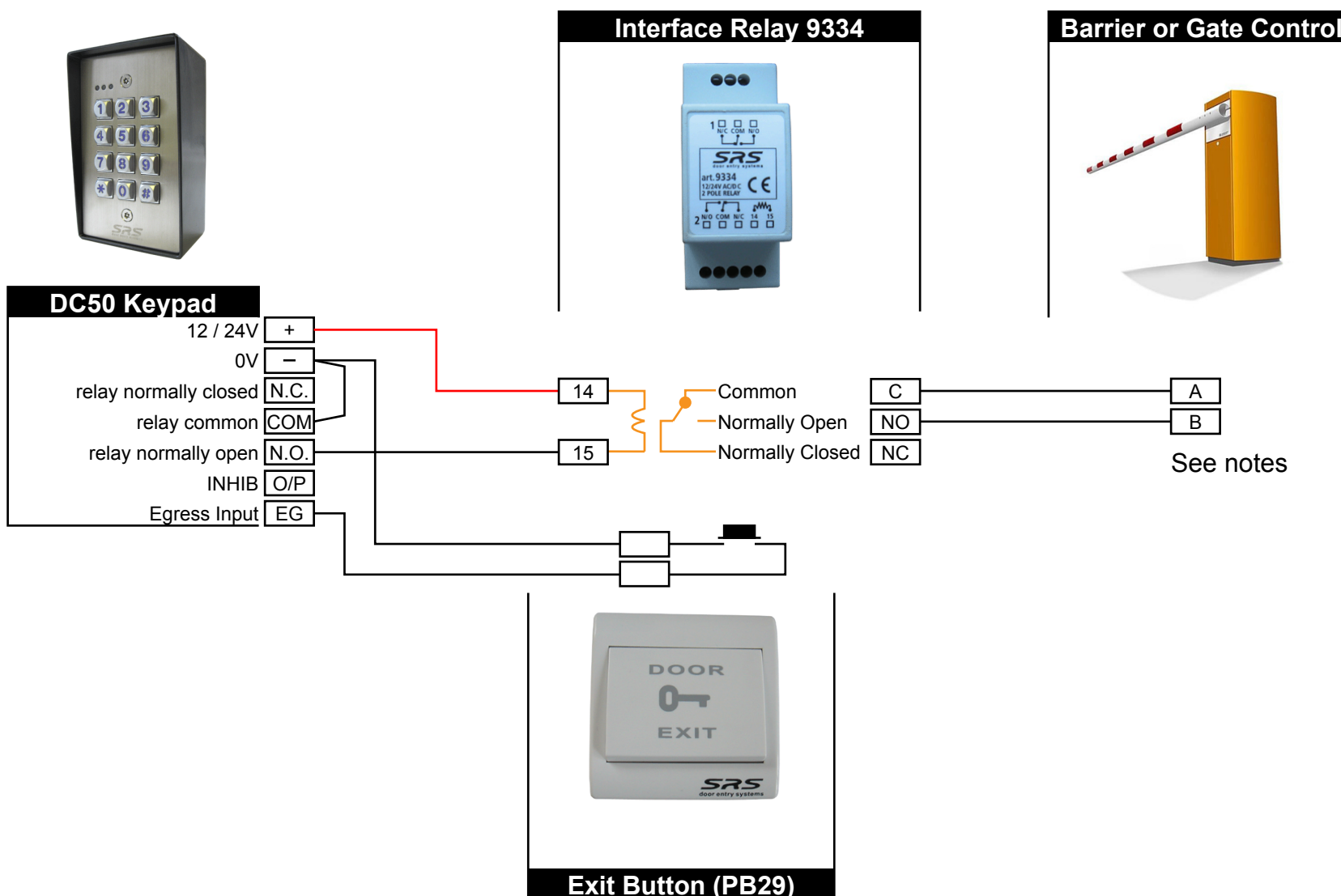
Interface Relay

An interface relay is used to protect the electronics in the access control system from the possible back EMF from the gate controller.

Gate Controller A & B

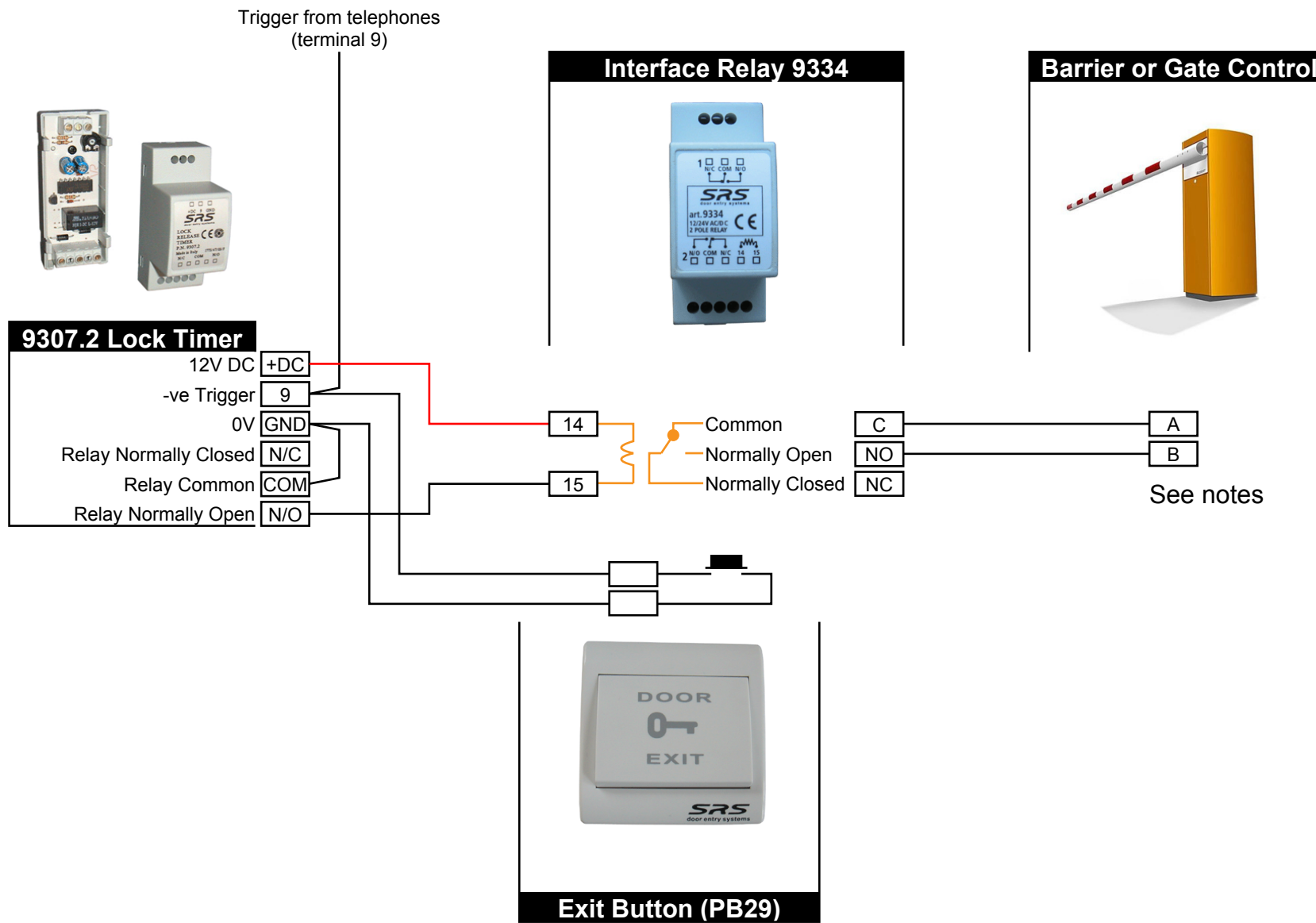
It is not possible to list all gate controller connections in this information, therefore we have labelled the connection terminal A & B. A & B refer to the terminals in the gate controller where you would normally connect an egress button. The interface relay, in effect, provides the push to make switch required.

Connection to DC50 or DC60 Keypad



Electric Locking Connections Connecting an electric strike (or any 12V DC fail locked release)

Connection to SRS door entry system with 9307.2 timer relay



Installation Notes

Only connections relevant to the Barrier or Gate controller are shown.

Interface Relay

An interface relay is used to protect the electronics in the access control system from the possible back EMF from the gate controller.

Gate Controller A & B

It is not possible to list all gate controller connections in this information, therefore we have labelled the connection terminal A & B. A & B refer to the terminals in the gate controller where you would normally connect an egress button. The interface relay, in effect, provides the push to make switch required.

Connection to button and relay (9334)

