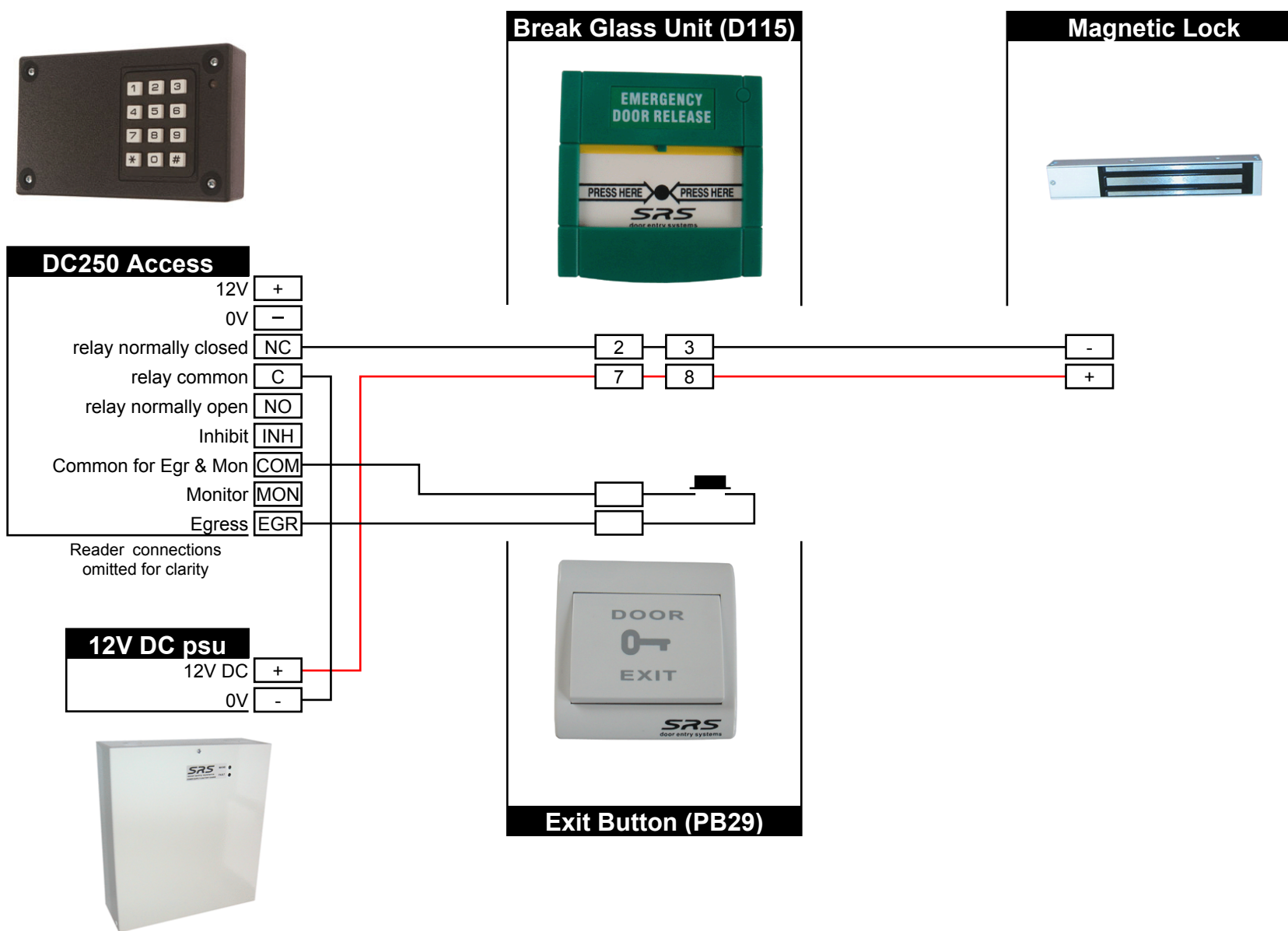


Electric Locking Connections Connecting a magnetic lock (or any 12V DC fail unlocked strike)

Connection to DC250 Access Control



Installation Notes

Only connections relevant to the electric lock are shown.

Cable

Make sure that the cable used for your locking device is thick enough that the voltage you read at the power supply end is that same voltage that you read at the lock end. In this example 12V DC

Power

Make sure the current (Amperes [A]) available from the power supply (PSU) is greater than the current required by the locking device. If the locking device draws 500 mA it is prudent to use a power supply capable of delivering 1Amp (eg. 1000 mA)

Voltage

Make sure the voltage of the power supply (PSU) is the same as the locking device. In this example 12V DC.

Fail Unlocked

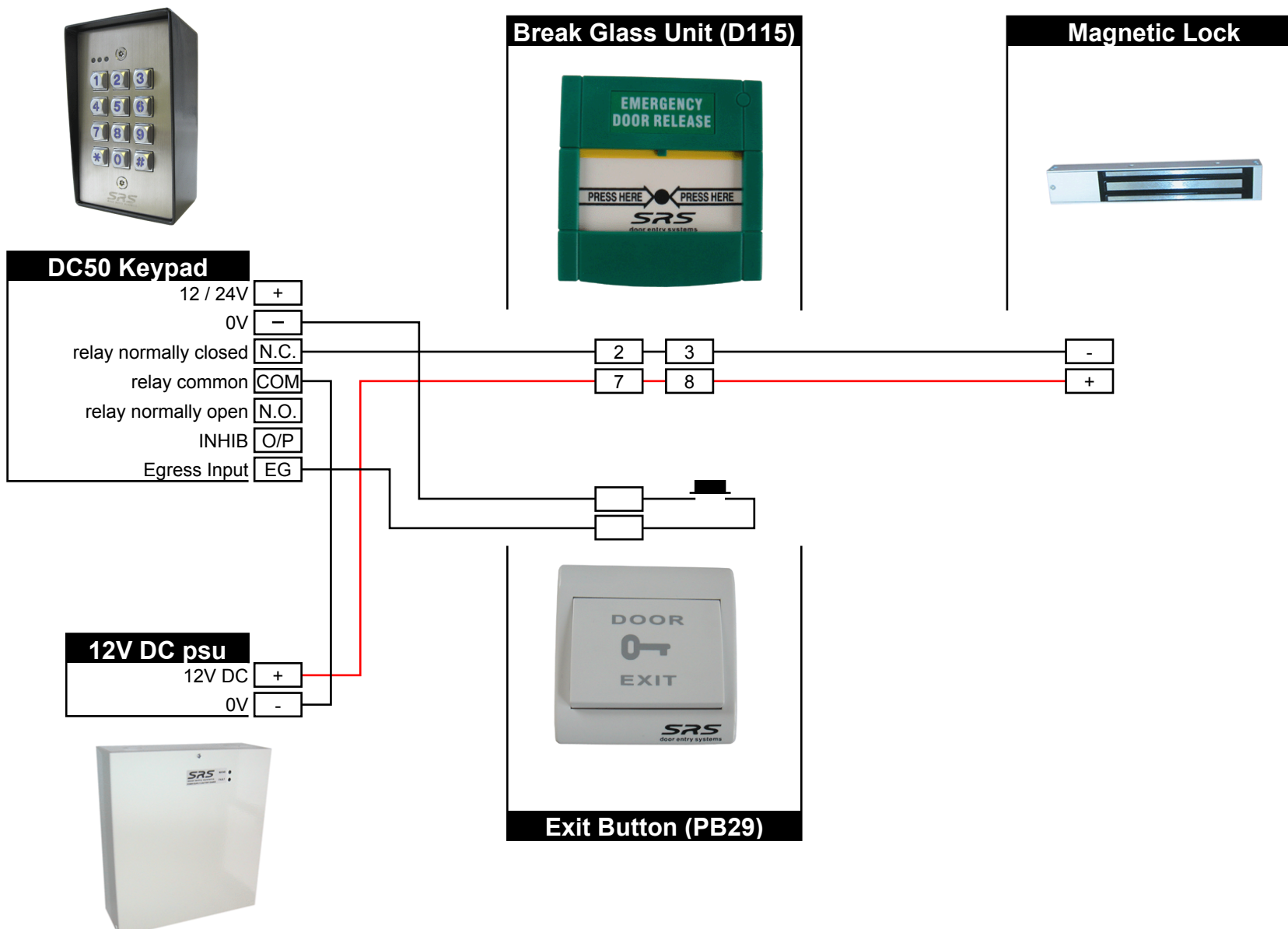
Fail Unlocked, means that if power is removed the lock will be unlocked. This is often called :

- Fail Unlocked
- Fail Safe
- Fail Open

Fail unlocked electric locks, electric strikes and electro-magnetic locks are all treated the same for connection purposes.

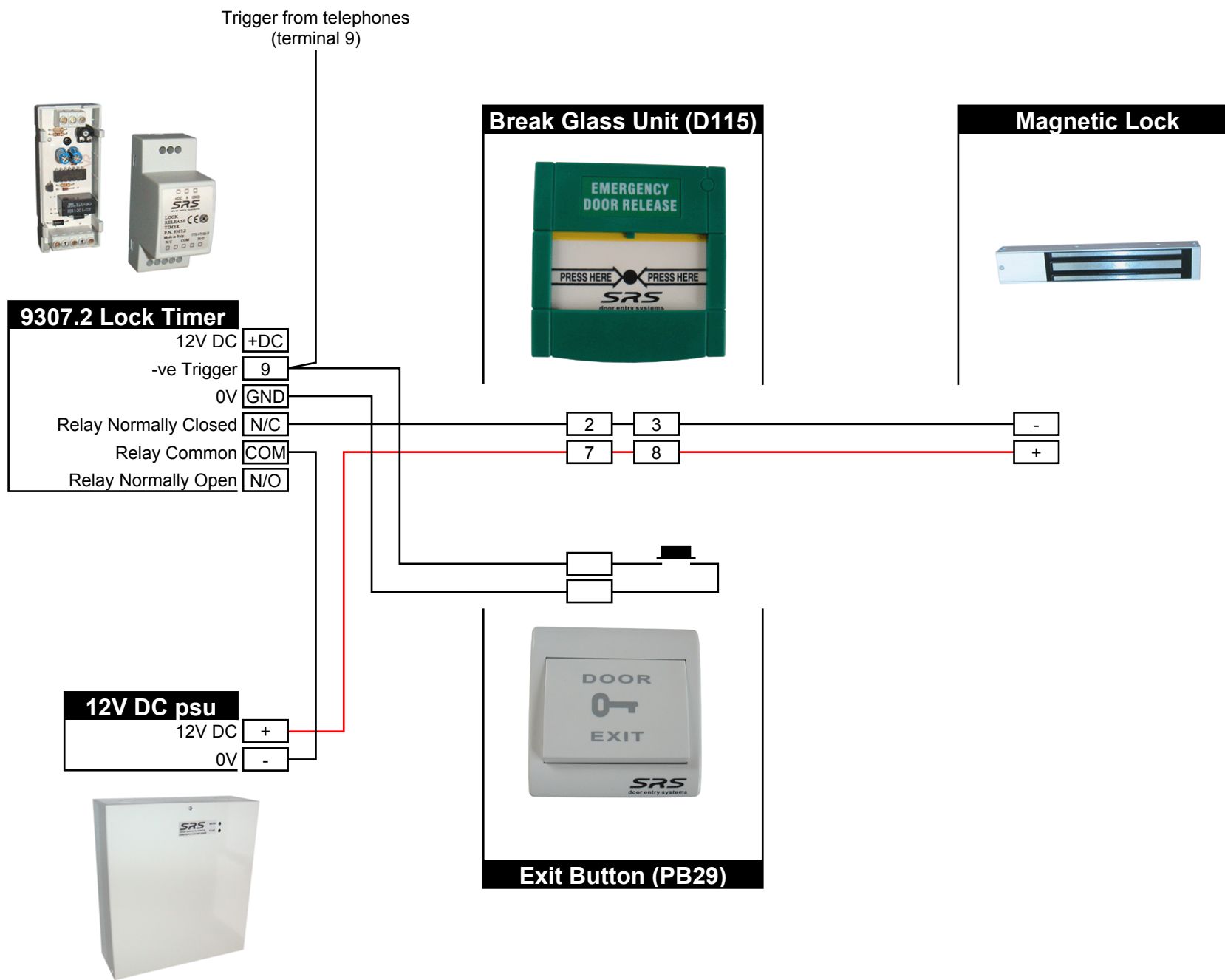
They are most often used where the door being controlled is a main exit door to which the public might need to escape in the event of an emergency eg. a fire.

Connection to DC50 or DC60 Keypad



Electric Locking Connections Connecting a magnetic lock (or any 12V DC fail unlocked strike)

Connection to SRS door entry system with 9307.2 timer relay



Installation Notes

Only connections relevant to the electric lock are shown.

Cable

Make sure that the cable used for your locking device is thick enough that the voltage you read at the power supply end is that same voltage that you read at the lock end. In this example 12V DC

Power

Make sure the current (Amperes [A]) available from the power supply (PSU) is greater than the current required by the locking device. If the locking device draws 500 mA it is prudent to use a power supply capable of delivering 1Amp (eg. 1000 mA)

Voltage

Make sure the voltage of the power supply (PSU) is the same as the locking device. In this example 12V DC.

Fail Unlocked

Fail Unlocked, means that if power is removed the lock will be unlocked. This is often called :

- Fail Unlocked
- Fail Safe
- Fail Open

Fail unlocked electric locks, electric strikes and electro-magnetic locks are all treated the same for connection purposes.

They are most often used where the door being controlled is a main exit door to which the public might need to escape in the event of an emergency eg. a fire.

Connection to button and relay (9334)

