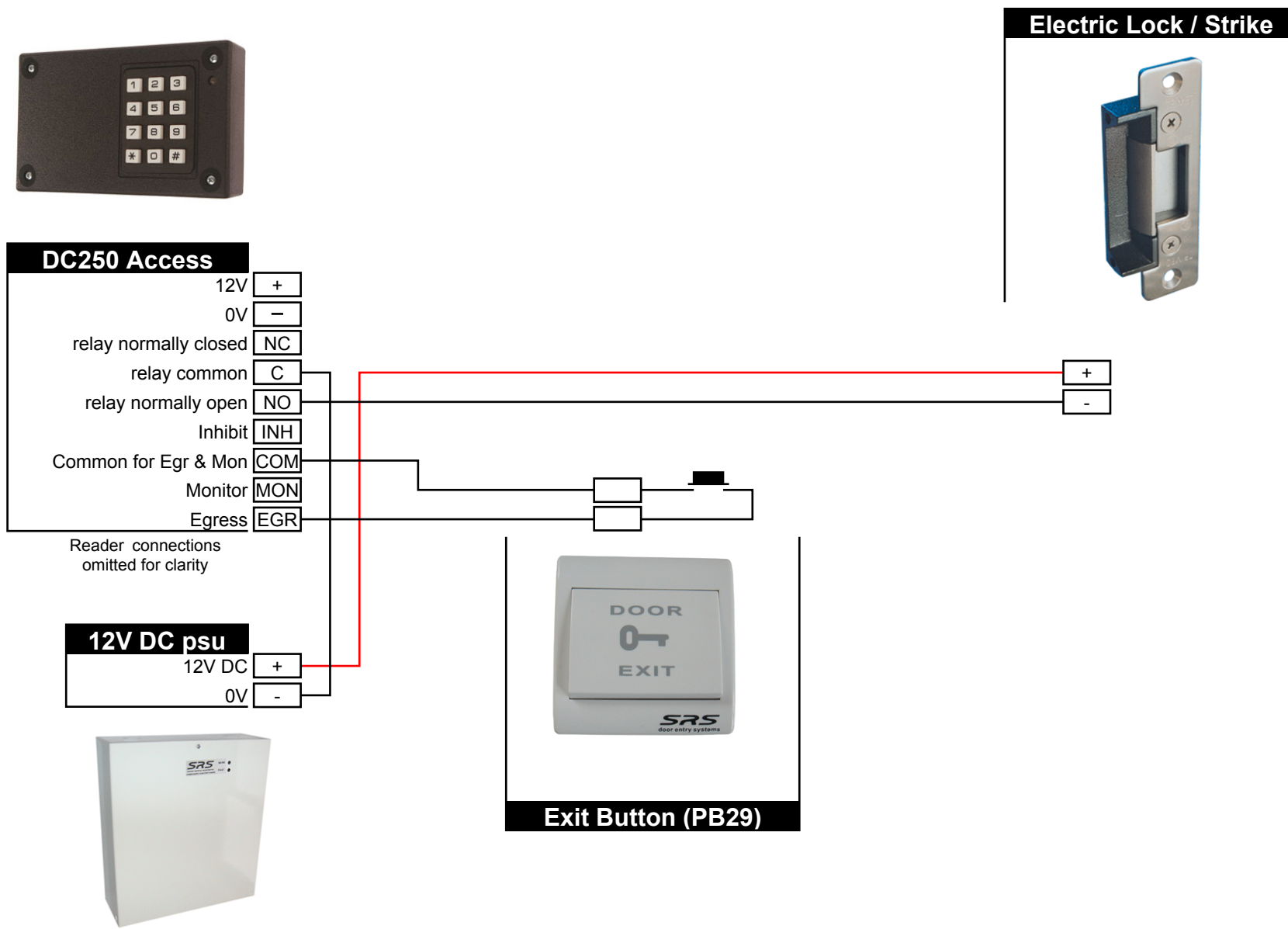


Electric Locking Connections Connecting an electric strike (or any 12V DC fail locked release)

Connection to DC250 Access Control



Installation Notes

Only connections relevant to the electric lock are shown.

Cable

Make sure that the cable used for your locking device is thick enough that the voltage you read at the power supply end is that same voltage that you read at the lock end. In this example 12V DC

Power

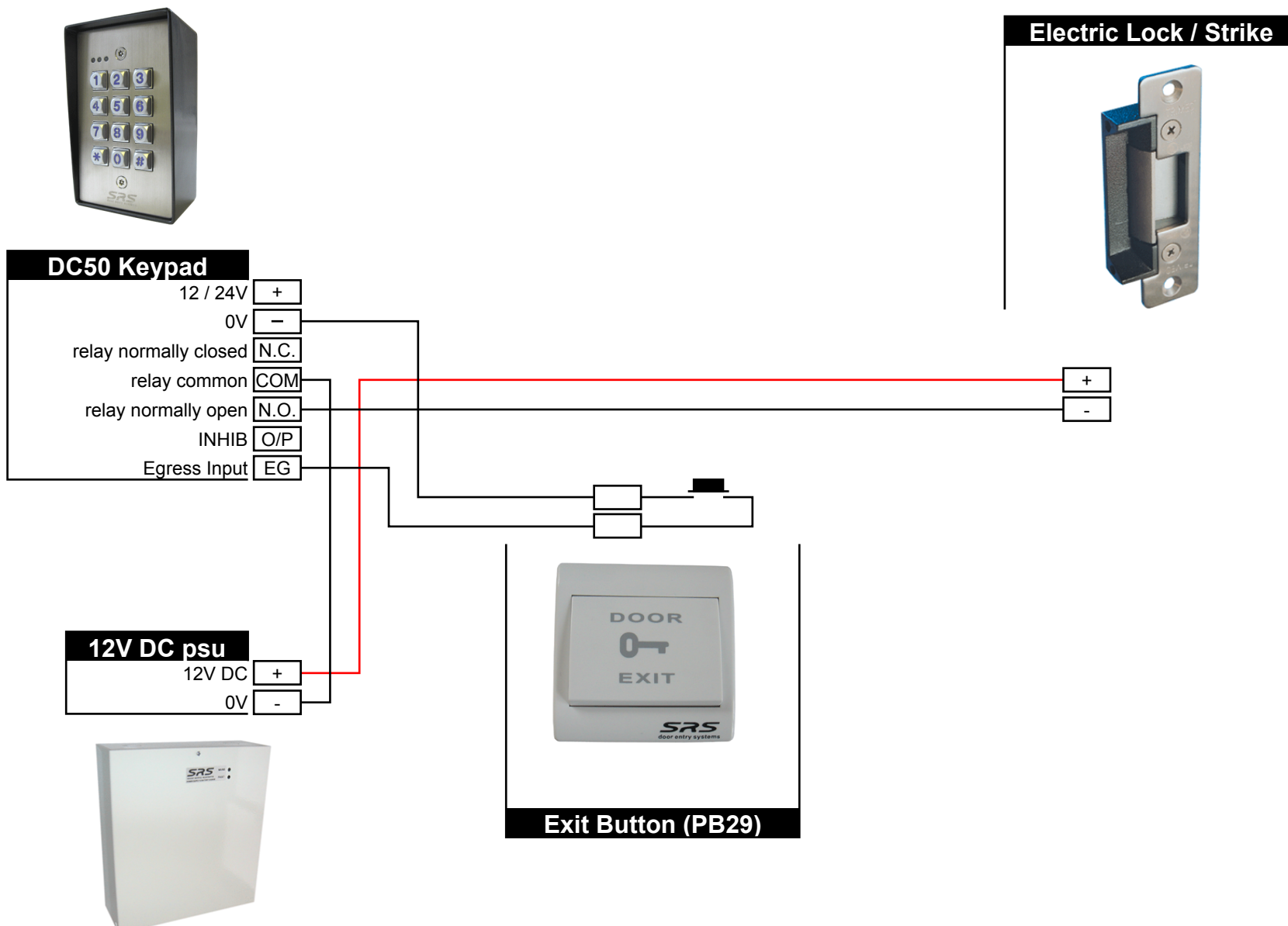
Make sure the current (Amperes [A]) available from the power supply (PSU) is greater than the current required by the locking device. If the locking device draws 500 mA it is prudent to use a power supply capable of delivering 1Amp (eg. 1000 mA)

Voltage

Make sure the voltage of the power supply (PSU) is the same as the locking device. In this example 12V DC.

If your electric strike (or electric lock) requires 12V AC. Simply change the 12V DC power supply shown for a 12V AC power supply. The connections remain unchanged.

Connection to DC50 or DC60 Keypad



Fail Locked

Fail Locked, means that if power is removed the lock will remain locked. This is often called :

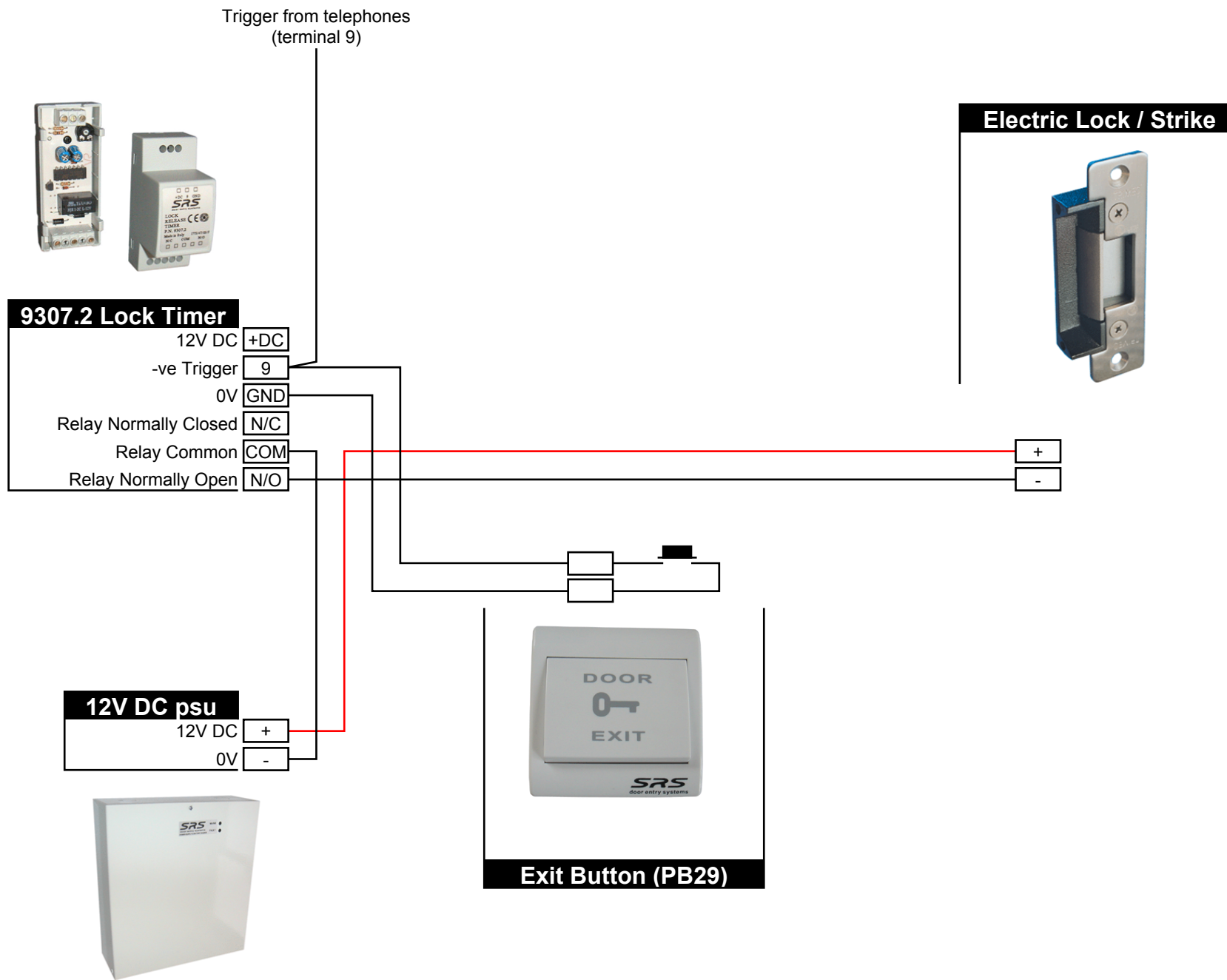
- Fail Locked
- Fail Secure
- Fail Closed

Fail locked electric locks and electric strikes are all treated the same for connection purposes.

They are most often used where the door being controlled is NOT a main exit door to which the public might need to escape in the event of an emergency eg. a fire.

Electric Locking Connections Connecting an electric strike (or any 12V DC fail locked release)

Connection to SRS door entry system with 9307.2 timer relay



Installation Notes

Only connections relevant to the electric lock are shown.

Cable

Make sure that the cable used for your locking device is thick enough that the voltage you read at the power supply end is that same voltage that you read at the lock end. In this example 12V DC

Power

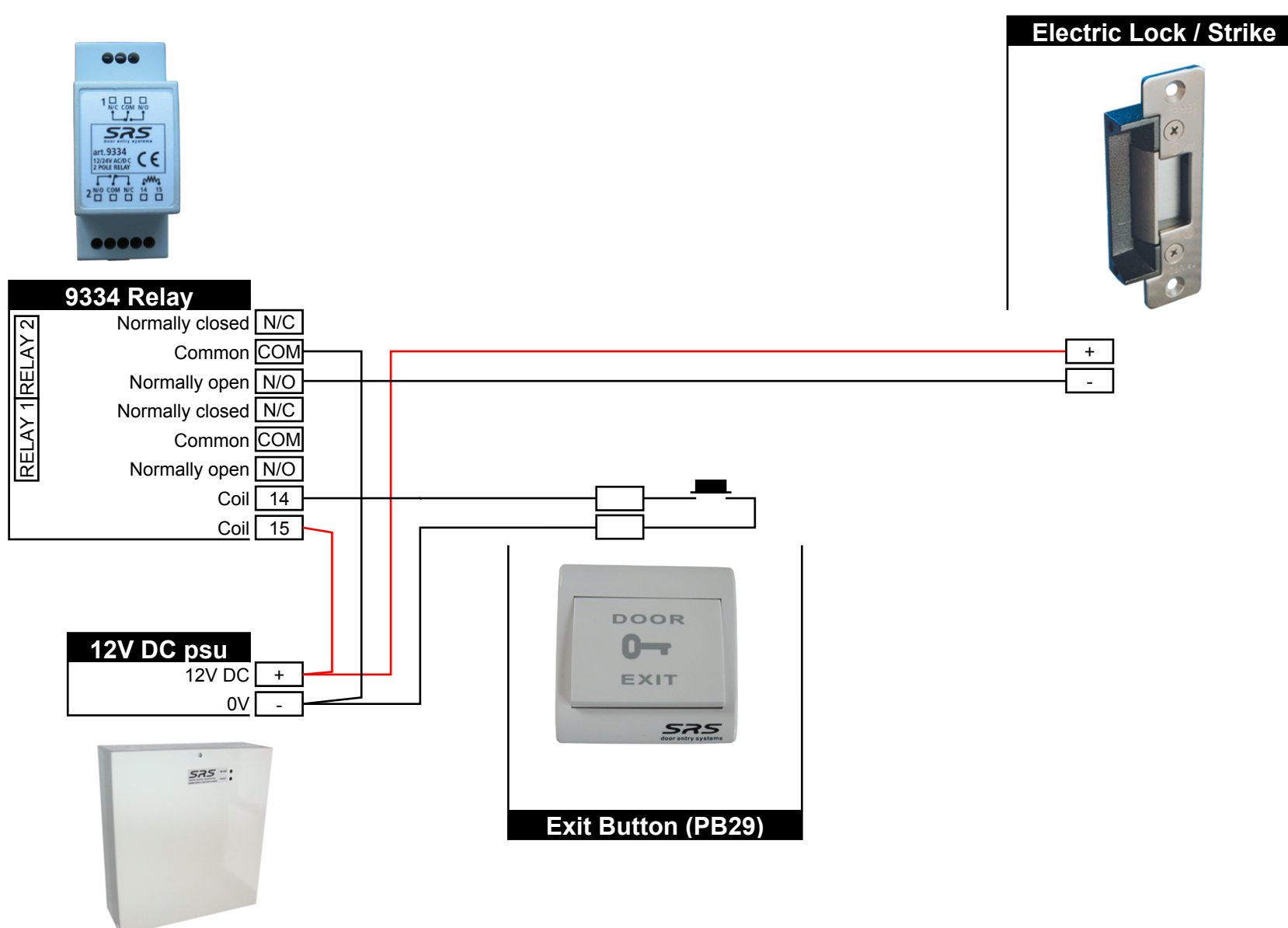
Make sure the current (Amperes [A]) available from the power supply (PSU) is greater than the current required by the locking device. If the locking device draws 500 mA it is prudent to use a power supply capable of delivering 1Amp (eg. 1000 mA)

Voltage

Make sure the voltage of the power supply (PSU) is the same as the locking device. In this example 12V DC.

If your electric strike (or electric lock) requires 12V AC. Simply change the 12V DC power supply shown for a 12V AC power supply. The connections remain unchanged.

Connection to button and relay (9334)



Fail Locked

Fail Locked, means that if power is removed the lock will remain locked. This is often called :

- Fail Locked
- Fail Secure
- Fail Closed

Fail locked electric locks and electric strikes are all treated the same for connection purposes.

They are most often used where the door being controlled is NOT a main exit door to which the public might need to escape in the event of an emergency eg. a fire.