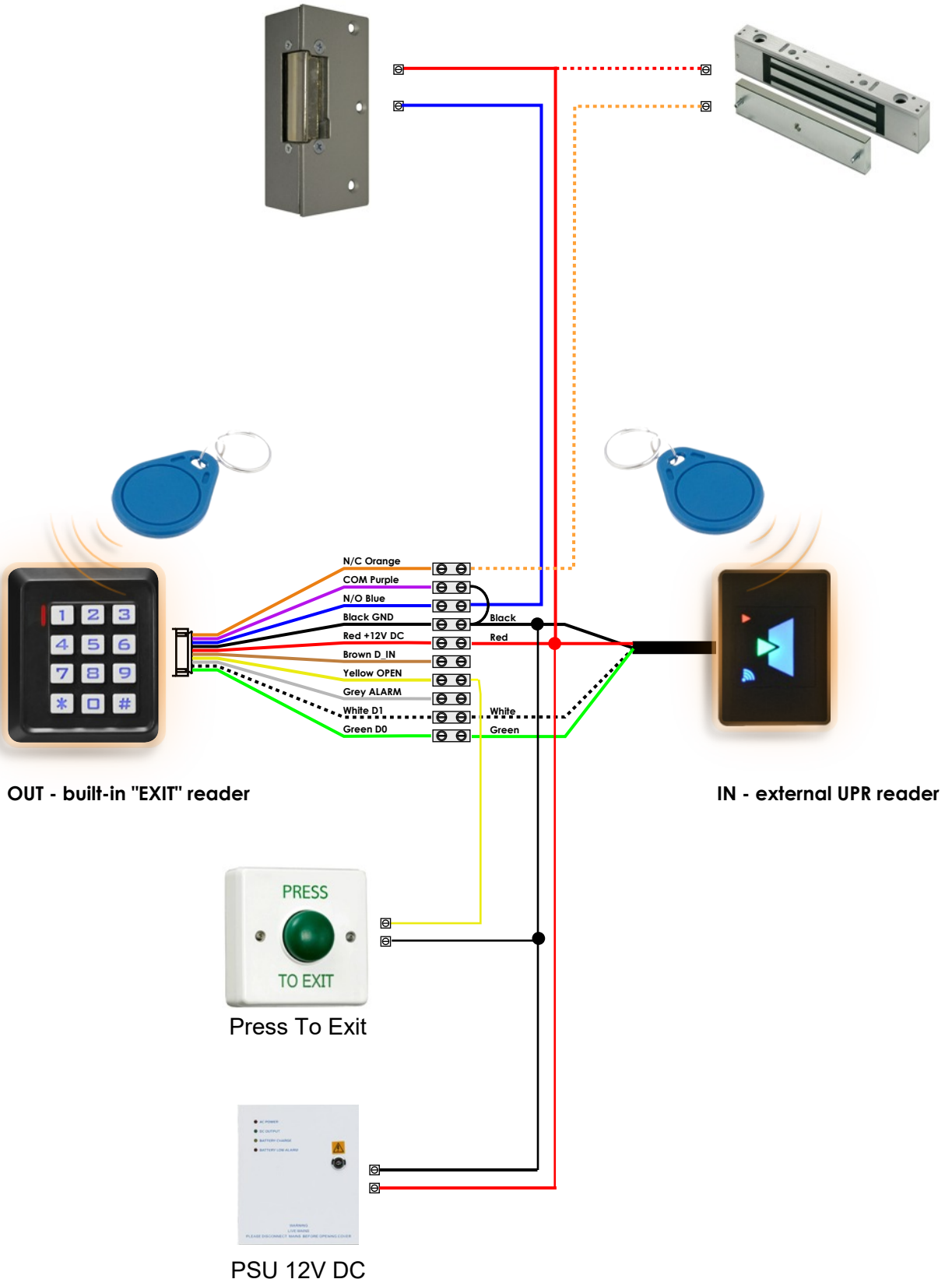


Fail-Secure

Fail-Safe



OUT - built-in "EXIT" reader

IN - external UPR reader

Press To Exit

PSU 12V DC