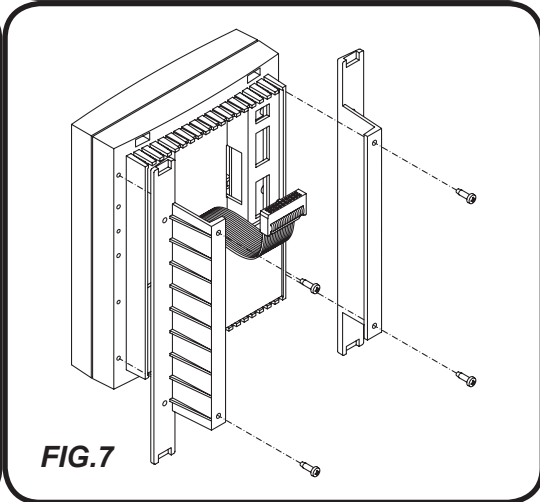
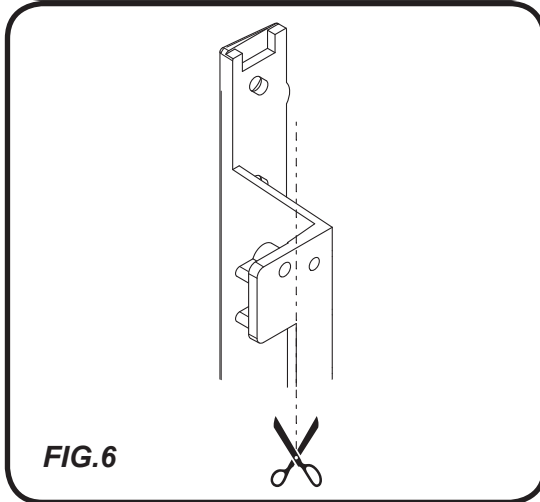
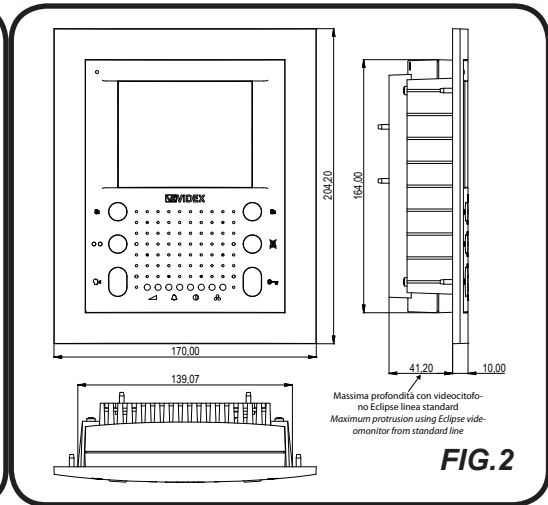
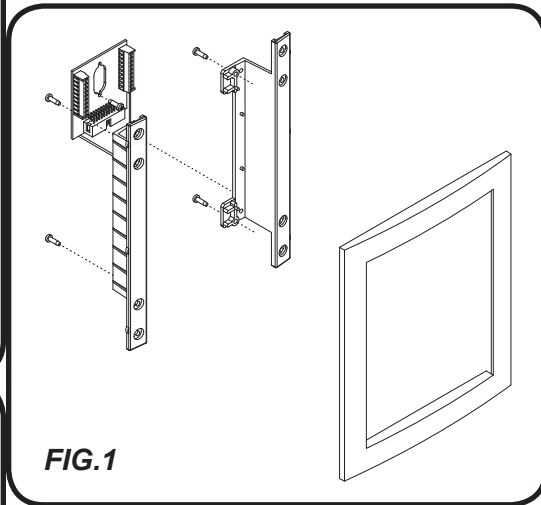
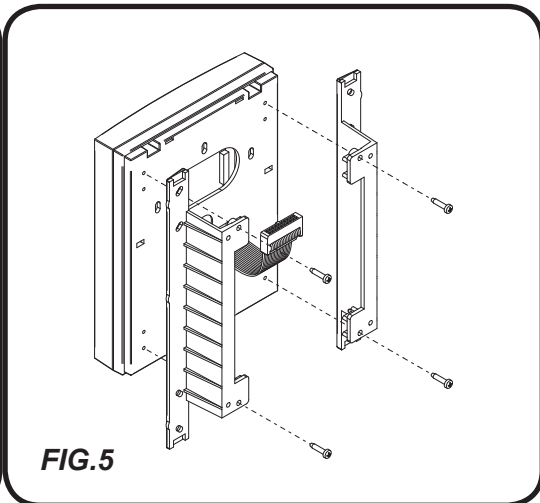
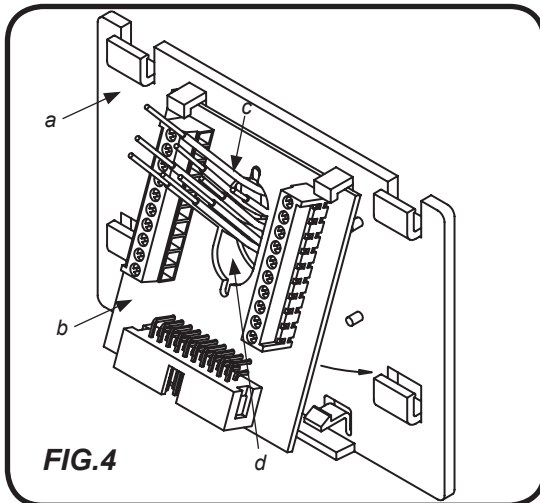
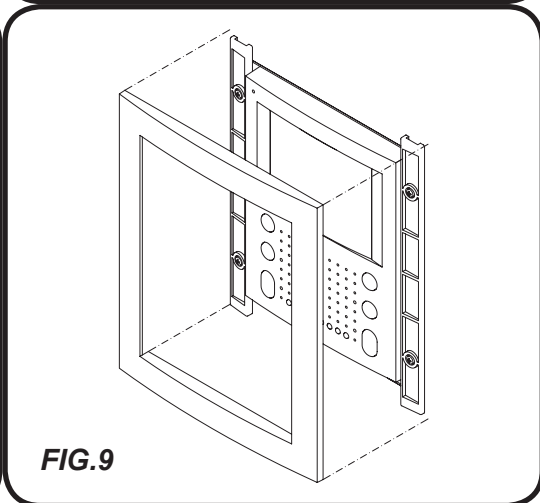
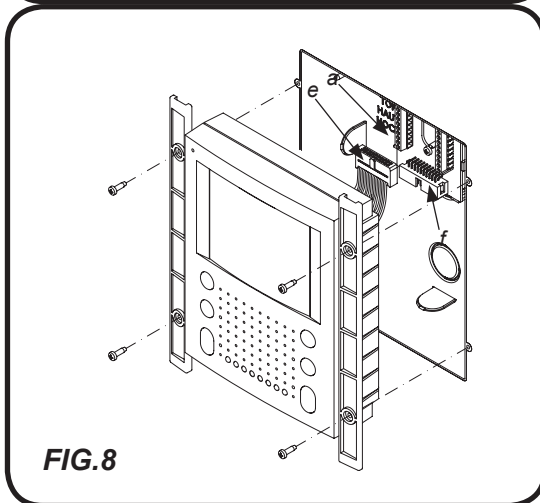


# Art.5983N Installation Instructions **VIDEX** PLASTERBOARD WALLS FLUSH MOUNTING KIT FOR ECLIPSE VIDEO MONITOR



## MOUNTING INSTRUCTIONS



- Using the template on the back of this sheet. Position the template in the location required with the bottom edge of the template approximately 135cm above finished floor level (FFL) as shown in figure 3. Using the same template mark the 4 fixing holes, taking care not to break into the aperture area.
- Cut and remove the aperture from the plaster board.
- Clip the connector board "b" to the mounting plate "a" as shown in figure 4 feeding cables "c" through the opening "d".
- With the connection board "b" fitted connect the wires to the terminals as shown in the connection diagram.
- Attach the two flush fixing brackets to the rear of the video monitor as shown in figure 5 using the screws provided. If the videomonitor is not a slim line model, first arrange the brackets by cutting their upper and lower sides as shown in figure 6 then, as described above, fix the brackets to the videomonitor as shown in figure 7
- Offer up the video monitor to allow the connection of the ribbon cable from the video monitor socket "e" into plug "f" on the connection board, clip mounting plate "a" onto the rear of the video monitor and, with care, fit the video monitor into the aperture and secure with 4 x fixing screws as shown in figure 8.
- Finish the installation by attaching the covering frame as shown in figure 9 until it clips into position.

