

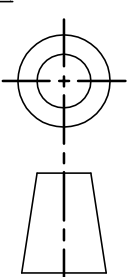
DRG.No. 425A-202

USED ON

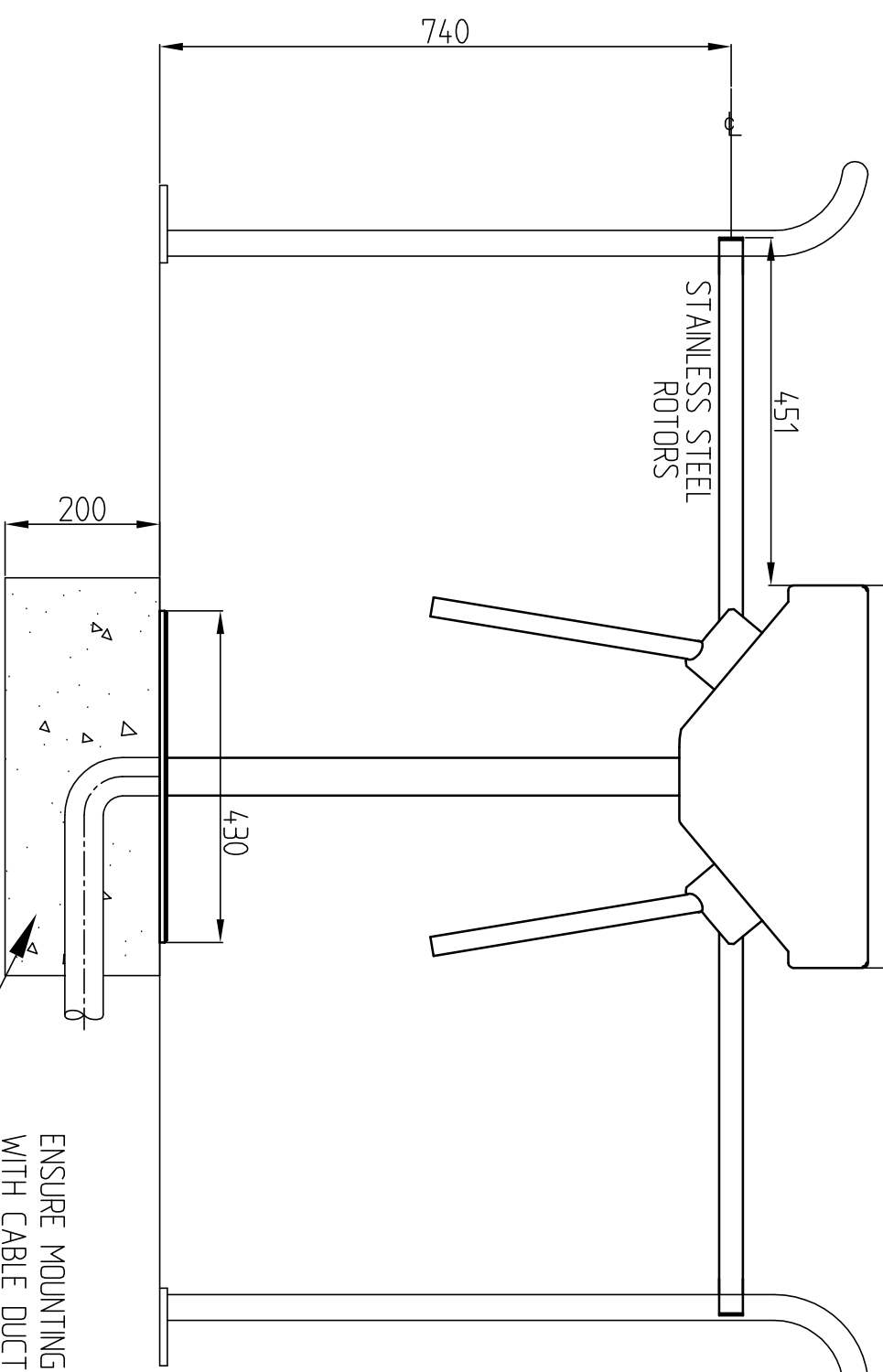
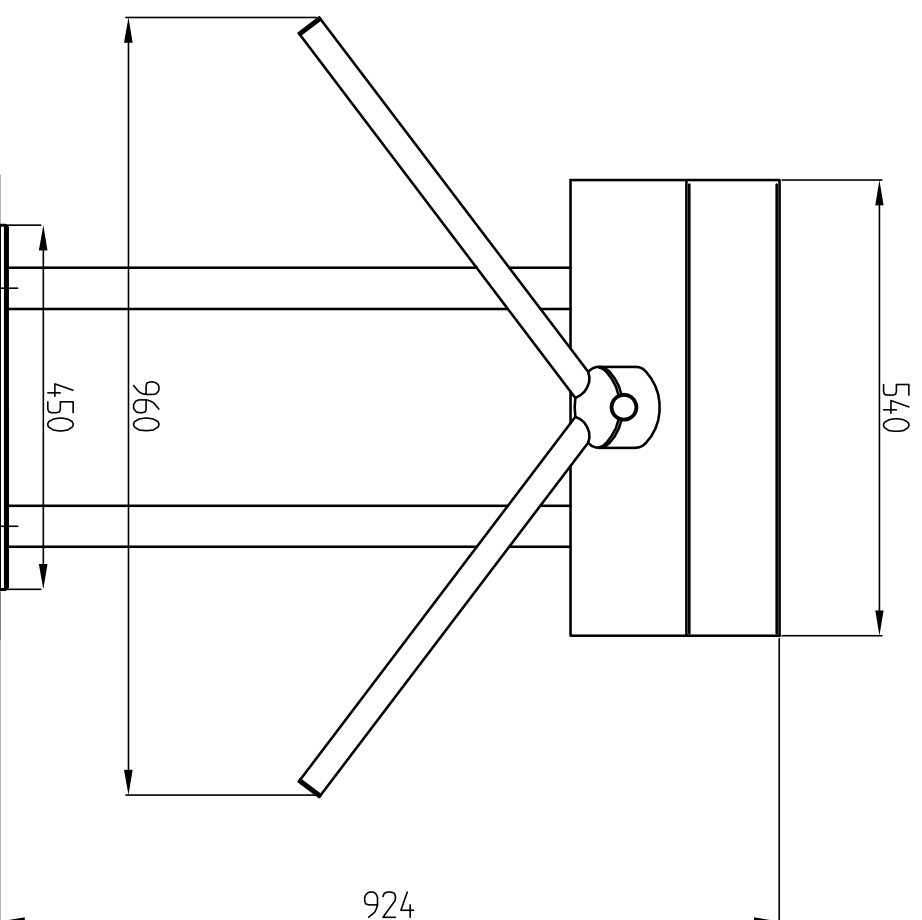
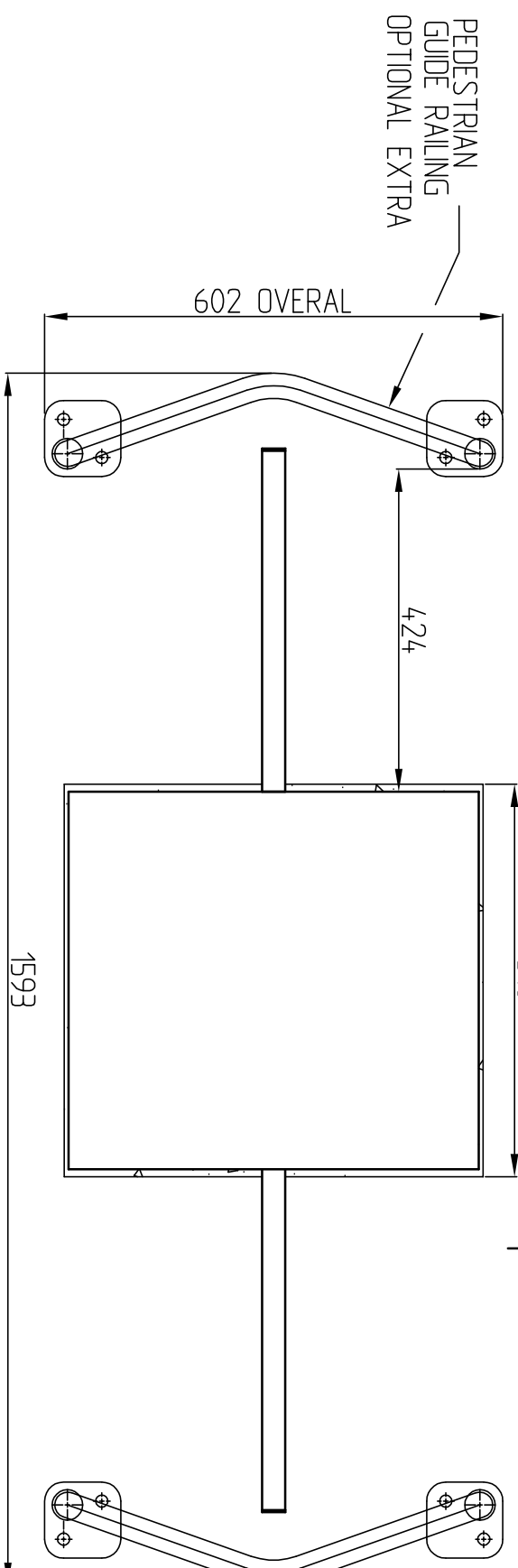
-

DRAWN TO B.S. 8888

516



THIRD ANGLE PROJECTION



PROTECTIVE FINISH

TOLERANCES FOR DIMENSIONS

DIMS. SHOWN THUS >449 ±1

DIMS. SHOWN THUS 1 ±0.4

DIMS. SHOWN THUS 10 ±0.15

DIMS. SHOWN THUS 100 ±0.05

UNLESS OTHERWISE STATED
ALL DIMENSIONS IN MILLIMETRES

MATERIAL

STORES REF.

TITLE

Clarke Instruments Ltd.

DRG.No.

A3

425A DOUBLE TRIPPOD

TURNSTILE WITH GUIDE RAIL

425A-202

DRAWN	MKEADY	CHECKED	CERTD.	SCALE	N.T.S
ISSUE	DATE	CHANGE NOTE			
A	03/01/03	-			
B	10/05/04	GUIDE RAIL MADE OPTIONAL EXTRA			
C	24-08-10	OVERALL LENGTH CORRECTED FROM 1482 TO 1593			