

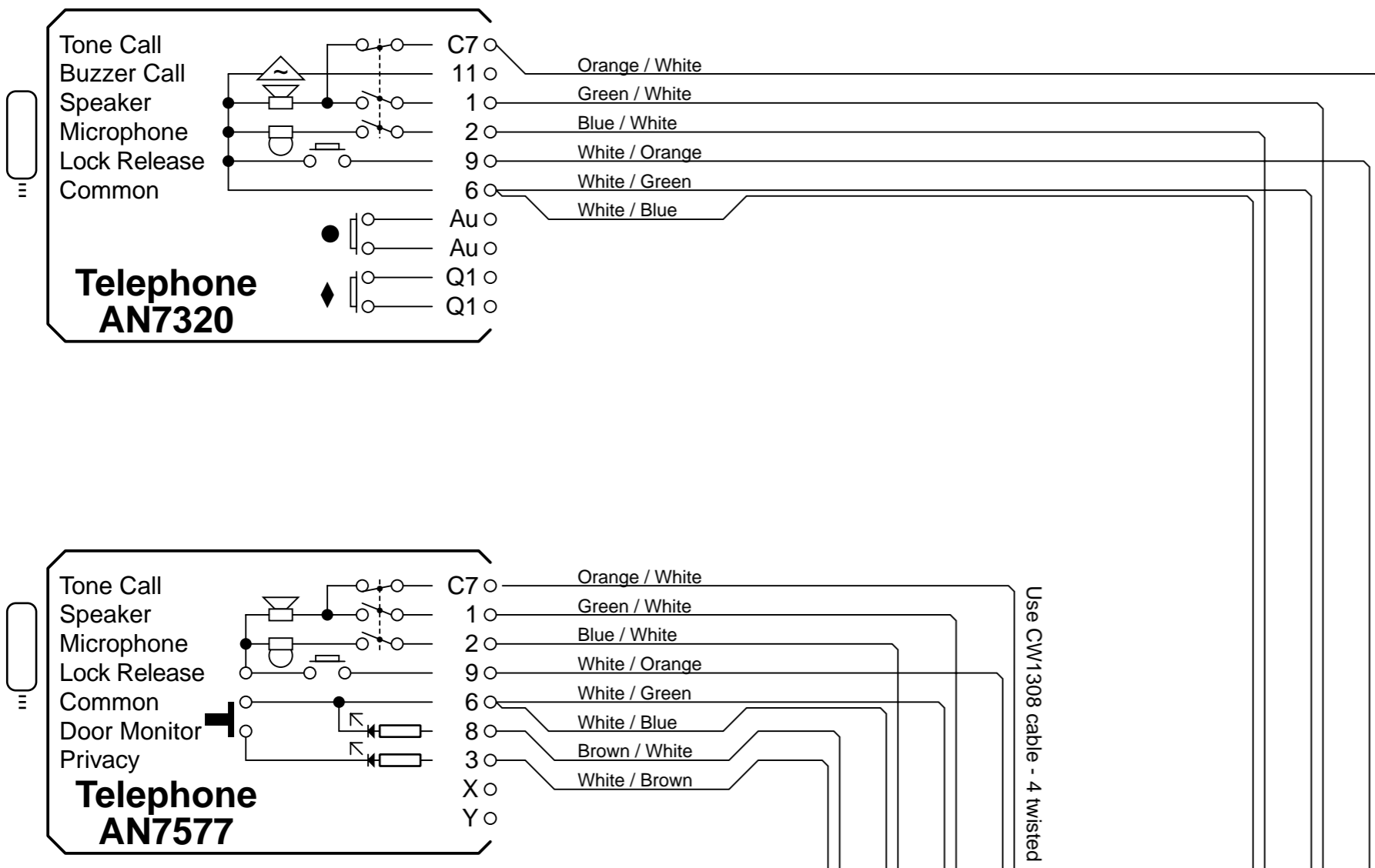


Single entrance audio door entry system - with trades facility

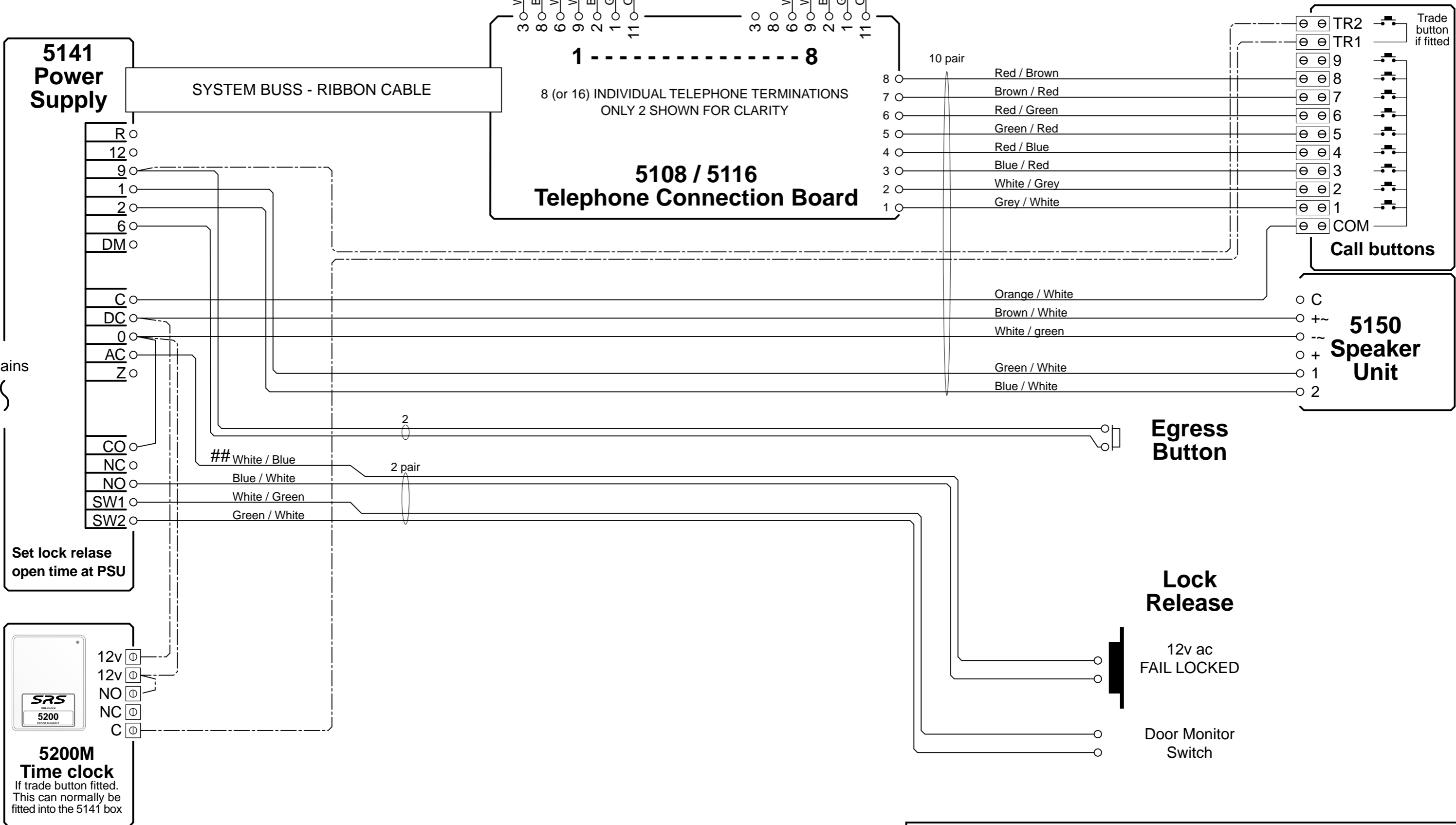
using telephone connection board (5108 or 5116)

Drawing Reference :
3D nH1ETSF 20000721

Important
Make connections as per diagram in order to avoid interference.



Function	AN0002	AN7320	AN1000	AN7577	70051	70055
Tone Call	C7	C7	C7	C7	11	11
Buzzer Call	11	11	11			
Speaker	1	1	1	1	1	1
Microphone	2	2	2	2	2	2
Lock Release	9	9	9	9	9	9
Common	6	6	6	6	6	6
Privacy LED	3	3	3	3	3	3
Door Monitor	8	8	8	8	8	8
Switch 1	Au	Au	Au			
Switch 1	Au	Au	Au			
Switch 2		Q1				
Switch 2		Q1				



Locking Device Options

For ALL 12v dc locks connect wire ## between "lock" & DC.

For FAIL LOCKED use NO
For FAIL UNLOCKED use NC

12v dc FAIL UNLOCKED	12v dc FAIL LOCKED
5141 DC ————	5141 DC ————
5141 NC ————	5141 NO ————