

**SFERA NEW - SFERA ROBUR
N&D and wide angle camera module**

352400

Description

Night & Day and wide angle camera module for the installation of colour video systems. Fitted with 1/3" sensor with N&D function and automatic removal of the IR filter. IR LED for the lighting of the field of view. Mist prevention heating resistance. Automatic brightness adjustment. Connection to the speaker module (351100) using the multicable supplied. To be completed with surround plate.

The device must not be configured. The device must not be configured.

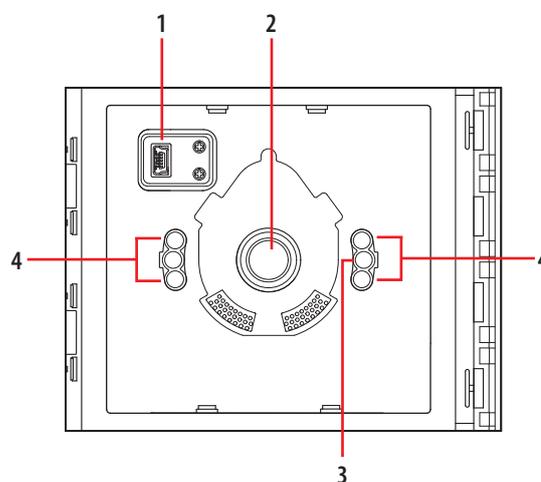
Related items

352401	Sfera New front cover for N&D and wide angle camera - Allmetal (IK 08)
352402	Sfera New front cover for N&D and wide angle camera - Allwhite (IK 08)
352403	Sfera New front cover for N&D and wide angle camera - Allstreet (IK 08)
352405	Sfera Robur front cover for N&D and wide angle camera (IK 10)

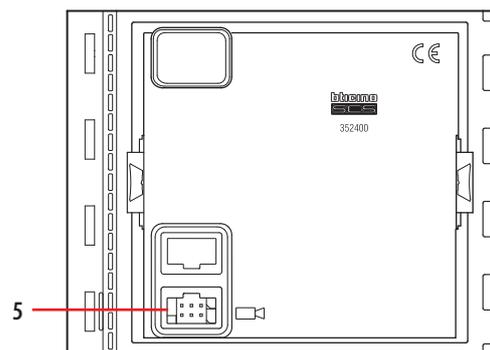
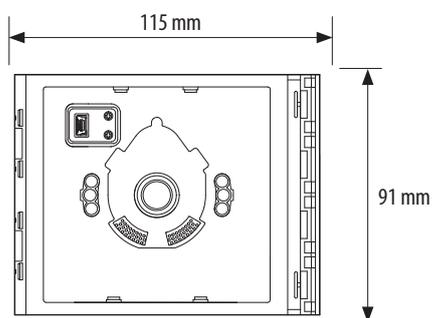
Technical data

Power supply from SCS BUS:	18 - 27 Vdc
Stand by absorption:	20 mA
Max. operating absorption:	115 mA
Colour sensor:	1/3"
Lens:	F2.5 f1.85 mm
Resolution:	330 TV lines (horizontal)
Illumination of the viewing field:	LED IR
Brightness adjustment:	automatic
Interlace:	2 : 1
N&D function with automatic IR filter removal:	
Mist prevention heating resistance:	
Operating temperature:	(-25) - (+70)°C
Protection index (pushbutton panel assembled):	IP 54

Front view



Rear view

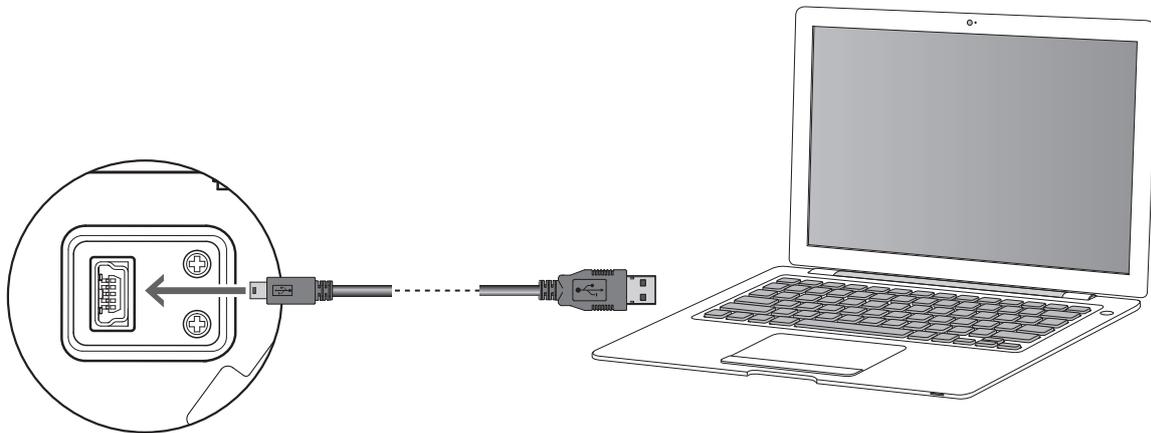

Dimensional data

Legend

1. Mini-USB connector for the connection to the PC : device firmware update
2. Night & Day camera
3. Light sensor
4. IR LED for night lighting of the field of view
5. Connector for the connection of the speaker module 351100

Connection to the PC

It is possible to update the device Firmware using a PC with the specific software, which can be downloaded free of charge from www.homesystems-legrandgroup.com; this mode has the advantage of offering many more options when compared with the physical configuration.

For the connection to the PC use a USB - mini USB cable. The presence of the mini USB connection on the front of the speaker module gives the possibility of performing these operations without the need to disassemble the device.



Camera shooting field

