

AXOLUTE Nighter & Whice VIDEO STATION

349320
349321

Description

2-wire speaker phone video handset for wall mounted installation. With 8" colour LCD display, backlit capacitive keypad with soft touch controls and PC customisable OSD navigation icon menu for the management of the following MyHOME applications: video door entry system, temperature control, sound system and multimedia, automation (scenarios) and anti-intrusion.

In systems integrated with the sound system, the VIDEO STATION behaves as an amplifier, enabling playback of all audio/video sources connected to the system.

LED signalling for: call exclusion, door status, and connection to the entrance panel.

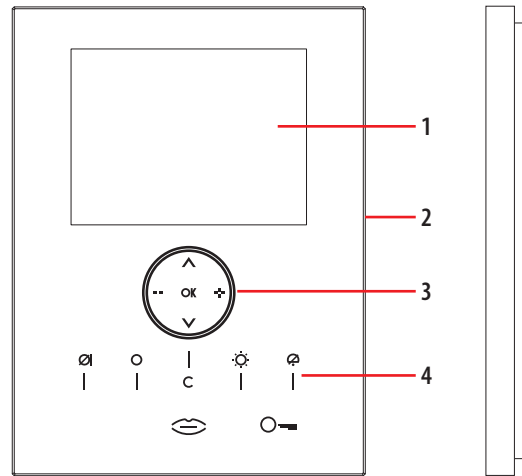
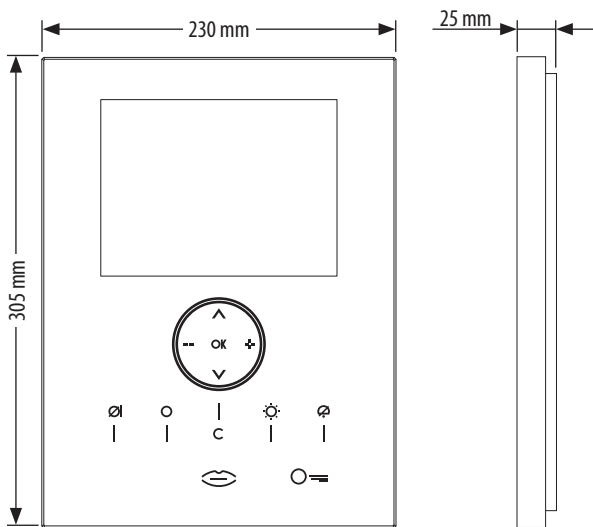
It can be integrated with MyHOME, also in combination with the Multimedia interface, 3465 - (in this case, allow for a local video door entry system power supply).

Suitable for wall mounted installation using the special bracket (supplied as standard).
Programming and configuration using the software.

Technical data

Power supply from SCS BUS: 18 – 27 Vdc
Stand by absorption: 30 mA
Max. operating absorption: 520 mA
Operating temperature: 5 - 40°C

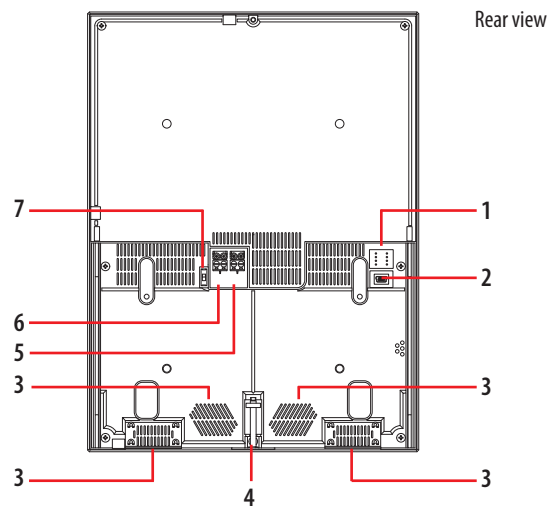
Dimensional data



Front view

Legend

- 1 - 8" LCD colour display
- 2 - Microphone
- 3 - Navigation keys and confirmation inside the menu
- 4 - Led and video door entry function keys



Rear view

Legend

- 1 - Configurator socket
- 2 - Mini-USB connector for PC connection
- 3 - Loudspeakers; for the broadcasting of voice and stereo sound
- 4 - Screw used to fasten the Video Station to the metal base
- 5 - Additional power supply connection clamps
- 6 - Clamps for the connection of the 2-wire SCS BUS
- 7 - Line termination ON/OFF micro switch

Configuration

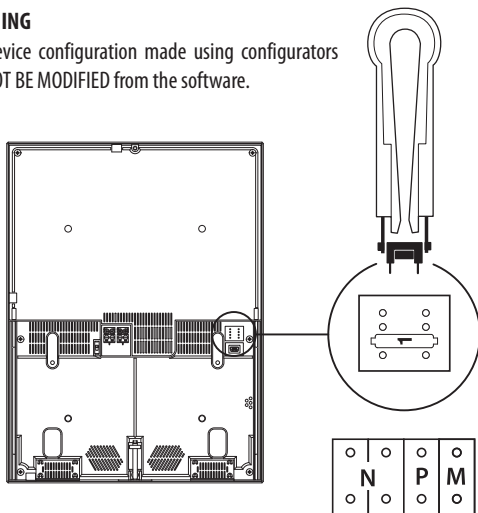
AXOLUTE Nighter & Whice VIDEO STATION can be configured in 2 different modes:

- **Fast configuration** (through the connection of physical configurators)
- **Advanced configuration** using the software

Fast configuration enables the user to access the menu of the video door entry functions. This is the standard configuration using configurators to be connected to the appropriate housing on the back of the device itself.
If the apartment interface 346850 is installed in the apartment, configuration of the video handset using the software is recommended.

WARNING

The device configuration made using configurators **CANNOT BE MODIFIED** from the software.



N - numero del Handset

The N configurator assigns each video handset an identification number within the system. The handsets must be configured in progressive mode. Handsets with parallel connection (max 3 are allowed inside the apartment without 346850) must be configured with the same N configurator. Additional audio handsets, video handsets and/or bells can be installed in parallel to the basic video handset.

P - entrance panel association

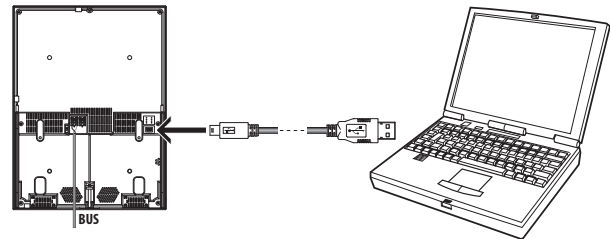
The P configurator identifies the associated EP, or the first entrance panel that switches itself on when the pushbutton (○) is pressed the first time, as well as which door lock with idle video handset is activated, when the pushbutton (○) is pressed.

M - Operating mode

The M configurator identifies the main menu of the device and therefore all the usable functions (see manual supplied with the product).

The PC advanced configuration can be set using the specific software, which can be downloaded free of charge from www.homesystems-legrandgroup.com; this mode has the advantage of offering many more options when compared with the physical configuration

To transfer the configuration performed using the software, or to update the firmware, connect Axolute Video Station to the PC using the USB-mini cable.



To ensure that communication is successful, Axolute Video Station must be powered and not configured physically.