



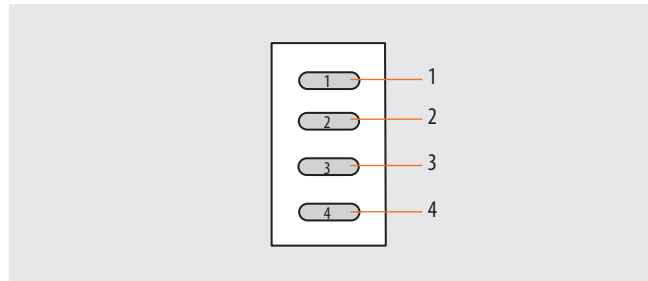
# PIVOT 4 key handset accessory

346812

### Description

4 key accessory for handsets item 344032, and video handsets item 344102, 344122, . It must be installed inside the handset, in the preset location.  
 It can be used to perform the listed functions, based on the type of configuration set:

- Intercom call among various system devices and apartments (max. 5)
- control of actuators for additional door locks
- control of actuators for general uses and auto-switching on of the entrance panel
- mixed activations
- paging function through the 2 WIRE sound system
- enabling/disabling of home automation scenarios
- apartment intercom in two-family system



### Legend

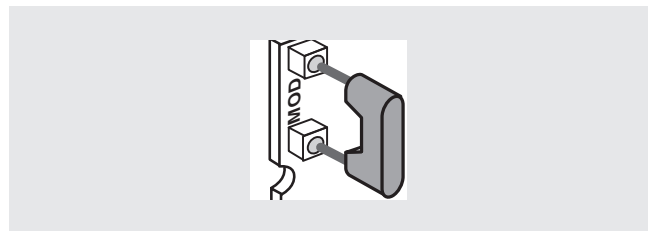
- 1 - Key 1
- 2 - Key 2
- 3 - Key 3
- 4 - Key 4

### Configuration

**The device must be configured fisicamente per stabilirne la operating mode:**

#### M - Operating mode

It sets the operating mode allocated to the individual keys of the accessory block.  
 The mode changes depending on whether the apartment interface, item 346850, has been installed or not.



### Configuration

#### Selection of MOD configurators

MODE	FUNCTION OF KEYS WITHOUT item 346850	FOR MULTI-FAMILY SYSTEMS WITHIN THE APARTMENT WITH item 346850
MOD=∞	Direct switching on of the EPs 1 Direct switching on of the EPs configured with P+1 2 Direct switching on of the EPs configured with P+2 3 Direct switching on of the EPs configured with P+3 4 Direct switching on of the EPs configured with P+4 Control of the actuator for generic loads (Item 346200) 1 346200 configured with MOD=9 and P=P+1 2 346200 configured with MOD=9 and P=P+2 3 346200 configured with MOD=9 and P=P+3 4 346200 configured with MOD=9 and P=P+4	
MOD=1	Intercom among the apartment with N-1-5	Intercom among Handsets with N=1-5
MOD=2	Intercom among apartments with interface item 346850 – N=1-4	Intercom among apartments configured with N=1-4

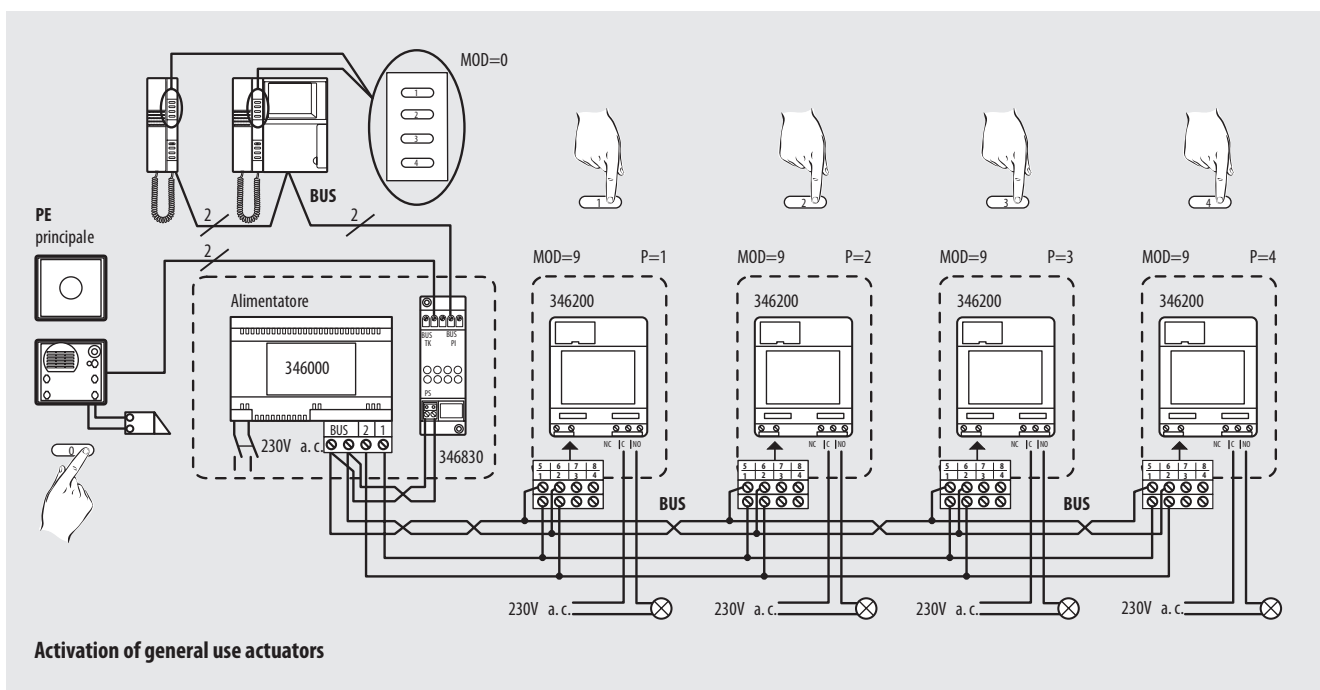
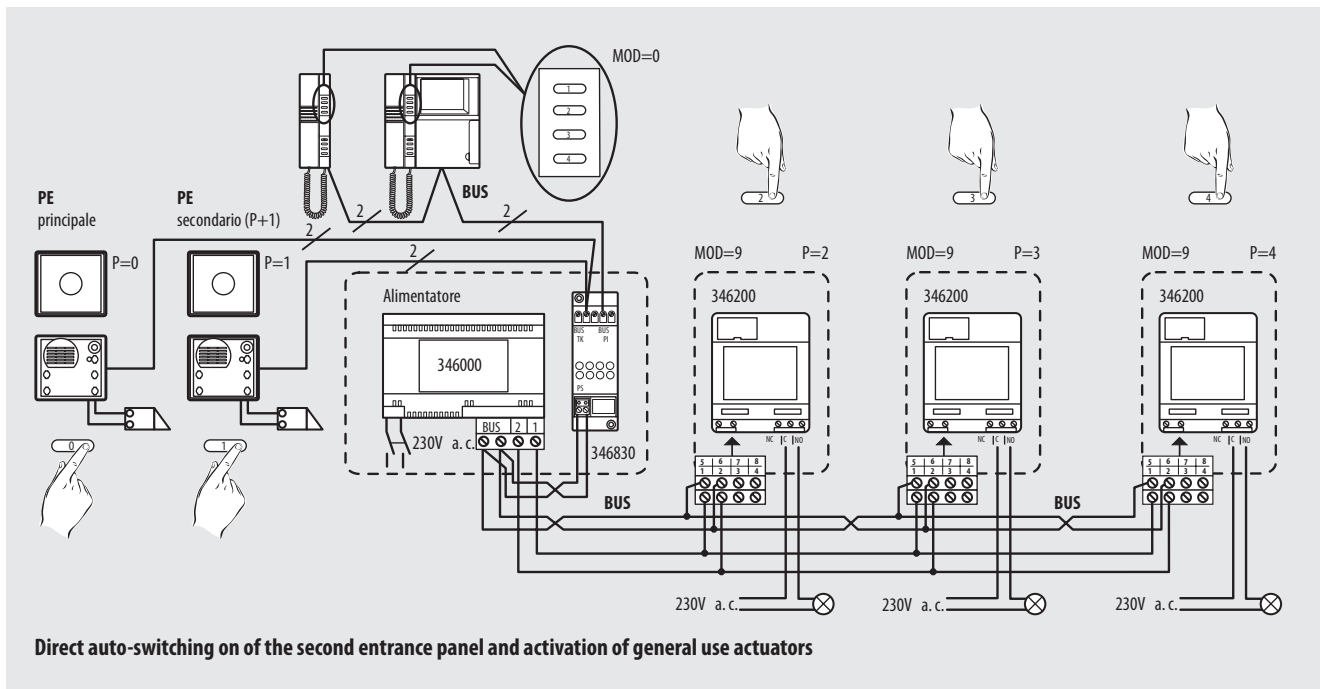
**Configuration**

**Selection of MOD configurators**

MODE	FUNCTION OF KEYS WITHOUT item 346850	FOR MULTI-FAMILY SYSTEMS WITHIN THE APARTMENT WITH item 346850
MOD = <b>3</b>	<input type="checkbox"/> 1 Auto-switching on of EPs configured with P+1 <input type="checkbox"/> 2 Door lock control for EPs configured with P+1 Keys <input type="checkbox"/> 3 and <input type="checkbox"/> 4 for intercom among the handsets of different apartments config. with N=1-3	<input type="checkbox"/> 1 Auto-switching on of local entrance panels <input type="checkbox"/> 2 Door lock control for the local EP (direct mode) Keys <input type="checkbox"/> 3 and <input type="checkbox"/> 4 for intercom among the handsets of the apartment configured with N=1-3
MOD = <b>5</b>	Control of door lock relay with: Actuator for generic loads (Item 346200) <input type="checkbox"/> 1 346200 configured with MOD=5 and P=P+1 <input type="checkbox"/> 2 346200 configured with MOD=5 and P=P+2 <input type="checkbox"/> 3 346200 configured with MOD=5 and P=P+3 <input type="checkbox"/> 4 346200 configured with MOD=5 and P=P+4 <hr/> Door lock actuator (Item 346230 - Item 346260) <input type="checkbox"/> 1 Actuator configured with P=1 <input type="checkbox"/> 2 Actuator configured with P=2 <input type="checkbox"/> 3 Actuator configured with P=3 <input type="checkbox"/> 4 Actuator configured with P=4	
MOD = <b>6</b>		Keys <input type="checkbox"/> 1, <input type="checkbox"/> 2 and <input type="checkbox"/> 3 for intercom among handsets configured with N=1 - 4 <input type="checkbox"/> 4 Paging function
MOD = <b>7</b> (two-family installations)	<input type="checkbox"/> 1 Intercom among apart. devices (general call) <input type="checkbox"/> 2 Intercom with devices of other apart. (general call) <input type="checkbox"/> 3 Door lock control for EPs config. with P+1 Door lock control for EPs config. with P+2	
MOD = <b>7</b> (multy-family installations config. with N = 3)	<input type="checkbox"/> 1 Intercom within the same apartment <input type="checkbox"/> 2 <b>NOT USED</b> <input type="checkbox"/> 3 Door lock control for EPs config. with P+1 <input type="checkbox"/> 4 Door lock control for EPs config. with P+2	
MOD = <b>9</b>		Scenario central unit control (Item F420) A=0 and PL=1 <input type="checkbox"/> 1 Activate scenario 1 <input type="checkbox"/> 2 Activate scenario 2 <input type="checkbox"/> 3 Activate scenario 3 <input type="checkbox"/> 4 Activate scenario 4

**Configuration**

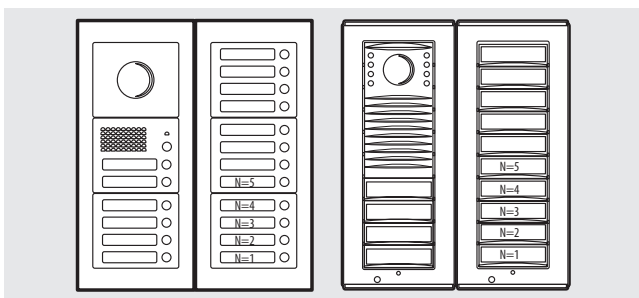
**Example 1 - MOD = 0**



**Configuration**

**Example 2 - MOD = 1**

In multi-family systems, the use of the accessory item 346812, appropriately configured (MOD=1) enables intercommunication among up to 5 system users. Inside the apartment building there may only be one group of up to 5 users that may be able to use the intercommunicating function. For this purpose, the 5 users of the intercommunicating function must be entered in the pushbutton panel as shown below.



The handset keys call in succession the handsets configured from 1 to 5 in N, excluding themselves.

Example: If the call is made from the Handset configured with N=3

- Key 1 calls the handset configured with N=1
- Key 2 calls the handset configured with N=2
- Key 3 calls the handset configured with N=4
- Key 4 calls the handset configured with N=5

Handset with N=1	Call to the
Pushbutton 1 → 1	Handset 2
Pushbutton 2 → 2	Handset 3
Pushbutton 3 → 3	Handset 4
Pushbutton 4 → 4	Handset 5
Handset with N=2	Call to the
Pushbutton 1 → 1	Handset 1
Pushbutton 2 → 2	Handset 3
Pushbutton 3 → 3	Handset 4
Pushbutton 4 → 4	Handset 5
Handset with N=3	Call to the
Pushbutton 1 → 1	Handset 1
Pushbutton 2 → 2	Handset 2
Pushbutton 3 → 3	Handset 4
Pushbutton 4 → 4	Handset 5
Handset with N=4	Call to the
Pushbutton 1 → 1	Handset 1
Pushbutton 2 → 2	Handset 2
Pushbutton 3 → 3	Handset 3
Pushbutton 4 → 4	Handset 5
Handset with N=5	Call to the
Pushbutton 1 → 1	Handset 1
Pushbutton 2 → 2	Handset 2
Pushbutton 3 → 3	Handset 3
Pushbutton 4 → 4	Handset 4

**Example 3 - MOD=2**

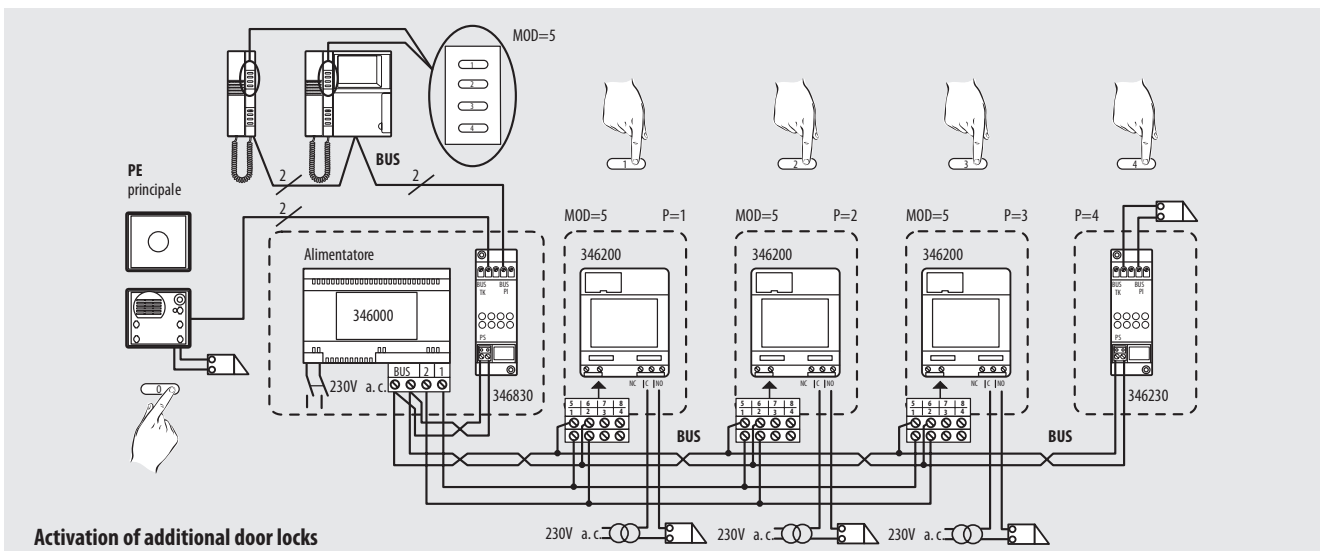
In multi-family systems with apartment interface item 346850, the item accessory 346812 configured with (MOD=2) allows a maximum of 4 users to intercommunicate among themselves (intercom external to the apartment).

The handset keys call in succession the apartments configured with N=1 – N=2- N=3-N=4.

Example:

- Key 1 calls the apartment configured with N=1
- Key 2 calls the apartment configured with N=2
- Key 3 calls the apartment configured with N=3
- Key 4 calls the apartment configured with N=4

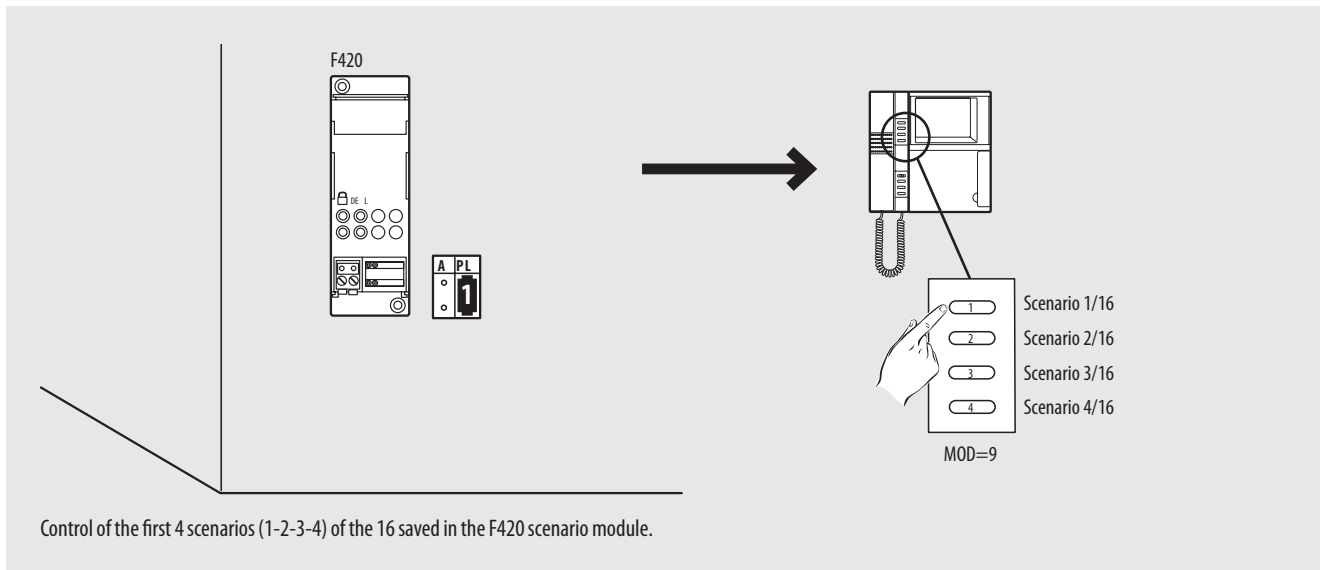
**Example 4 - MOD = 5**



Activation of additional door locks

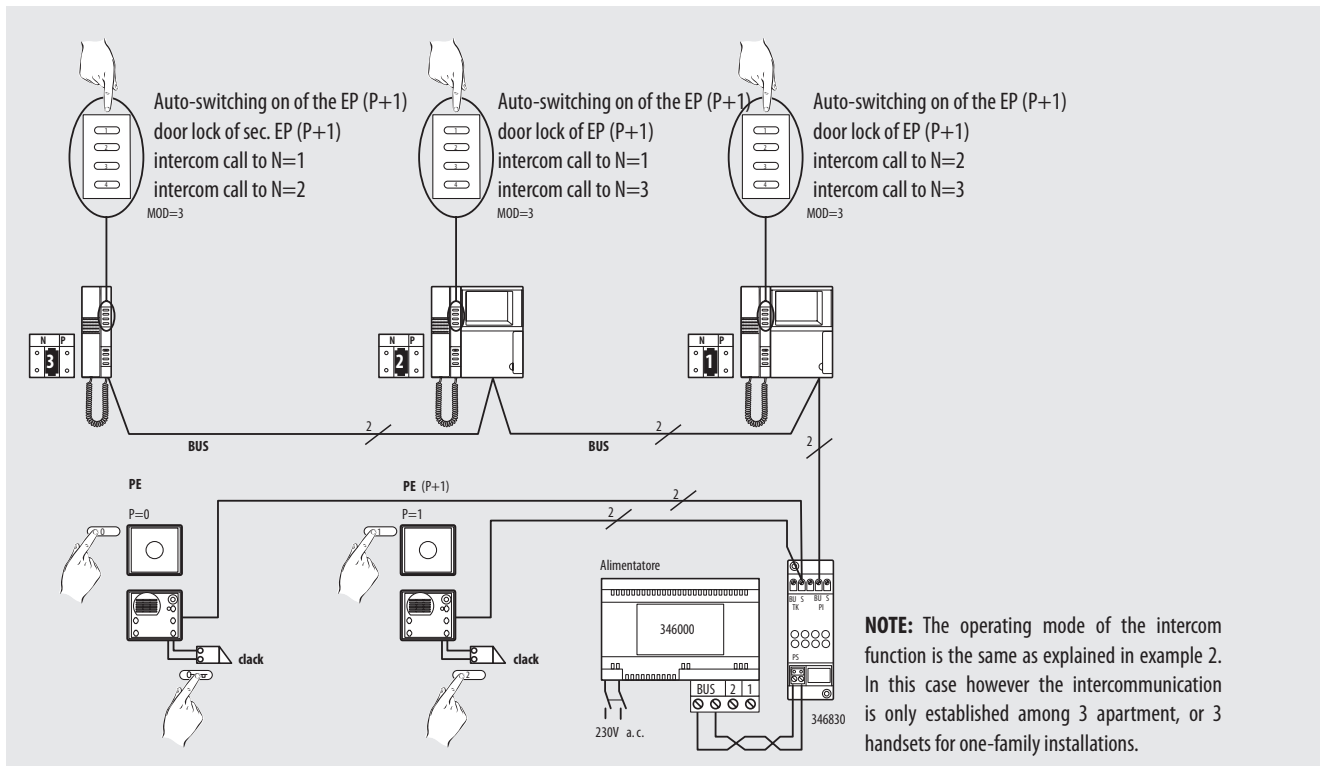
**Configuration**

**Example 5 - MOD = 9**



**Example 6 - MOD = 3 (mixed mode)**

- Key **1** Auto-switching on of the EP (configured with P+1)
- Key **2** Activation of the door lock of the EP (configured with P+1), directly, without call
- Key **3** Intercom function
- Key **4** Intercom function



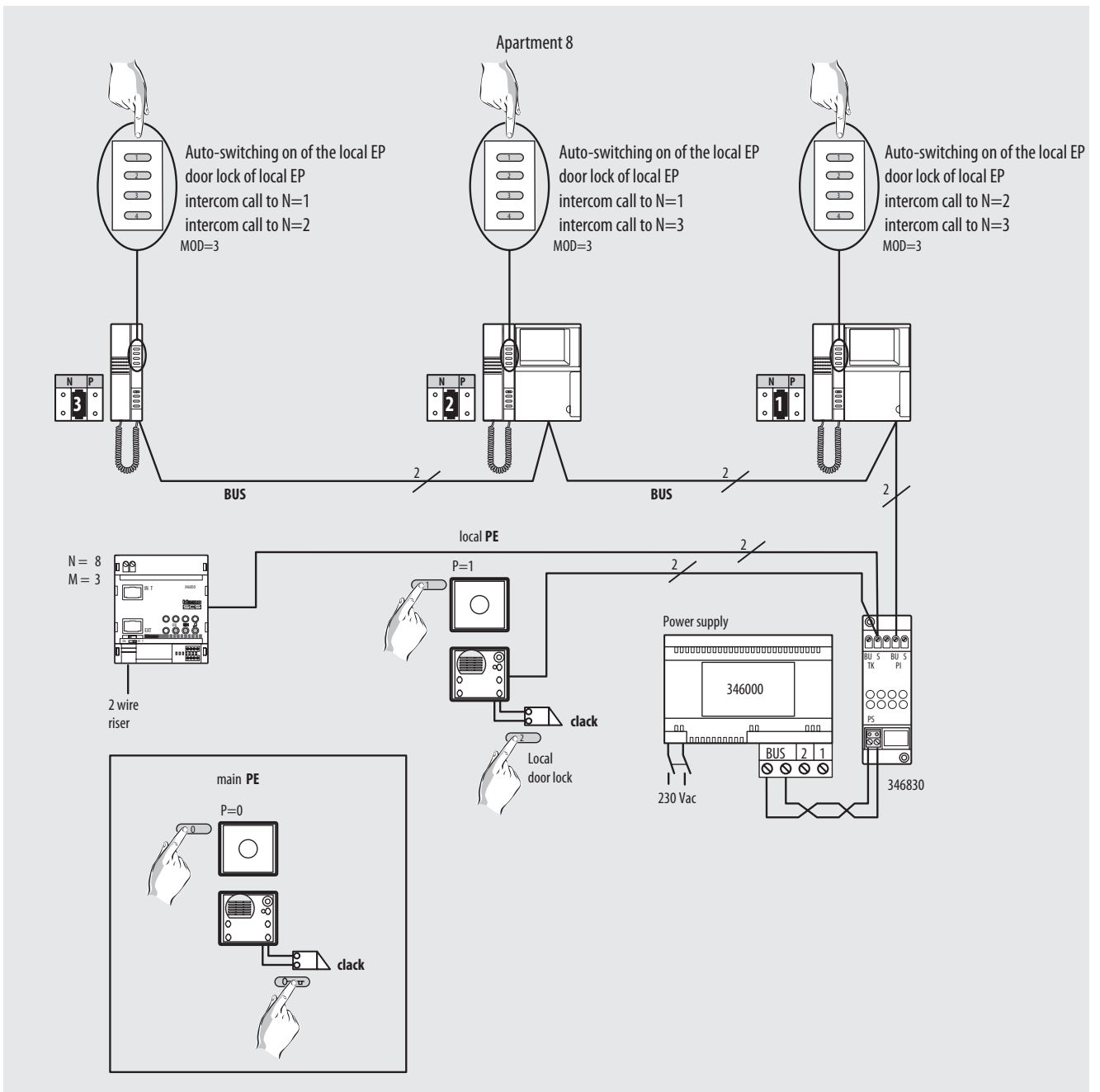
BT00653-a-EN

**Configuration**

**Example 7 - MOD = 3 (mixed mode) with item 346850**

For systems with apartment interface item 346850

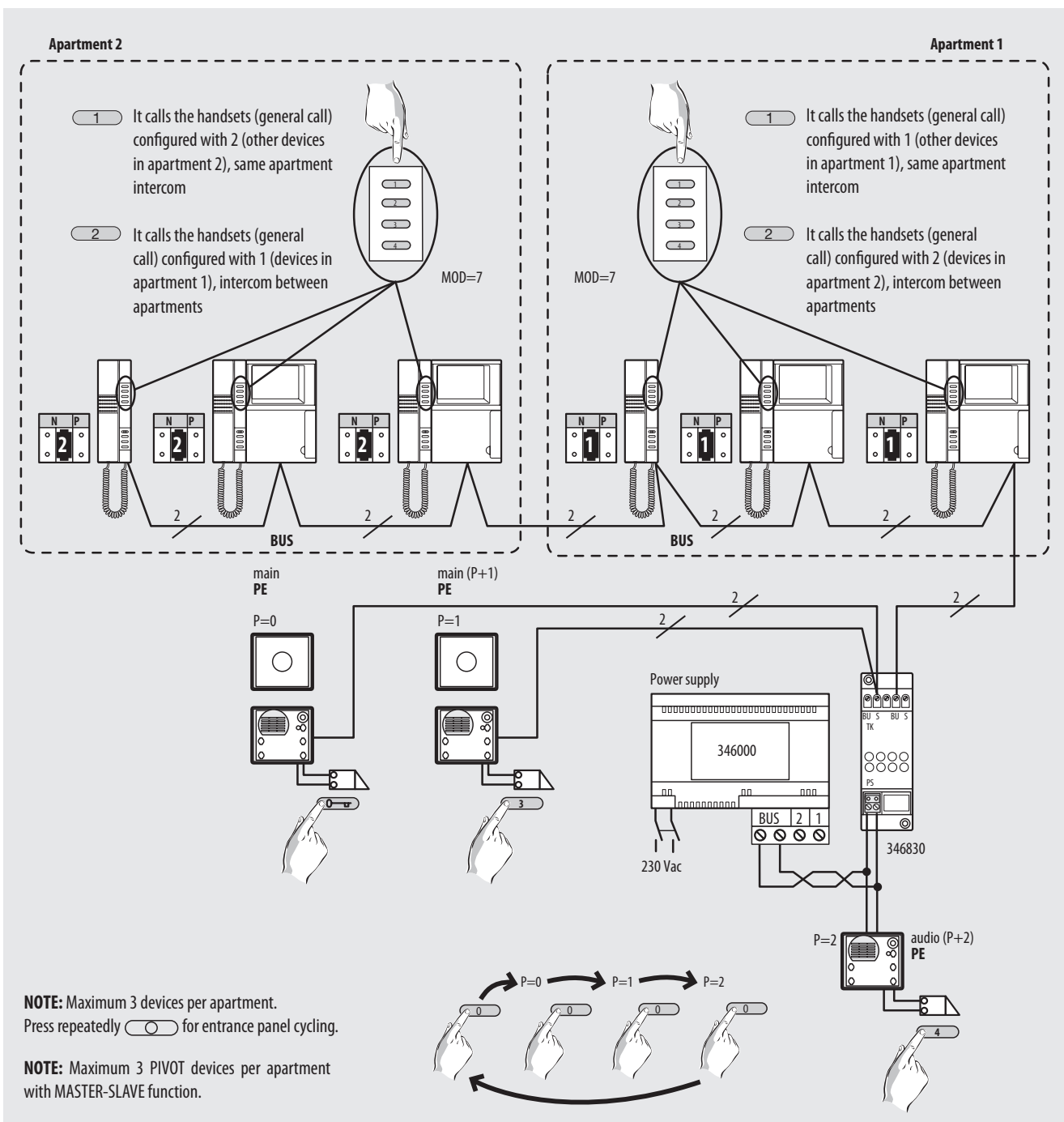
- Key **1** Auto-switching on and cycling of local EPs
- Key **2** Activation of the door lock of the local EP directly without call
- Key **3** Intercom function among the apartment handsets
- Key **4** Intercom function among the apartment handsets



**Configuration**

**Example 8 - MOD = 7 Intercom in two-family systems**

- Key **1** Calls the handsets of the same apartment (the handsets configured with the same N as the one the call is made from)
- Key **2** Calls the handsets of the other apartment (the handsets configured with a different N from the one the call is made from)
- Key **3** Opens the door lock associated with the EP configured with P + 1
- Key **4** Opens the door lock associated with the EP configured with P + 2

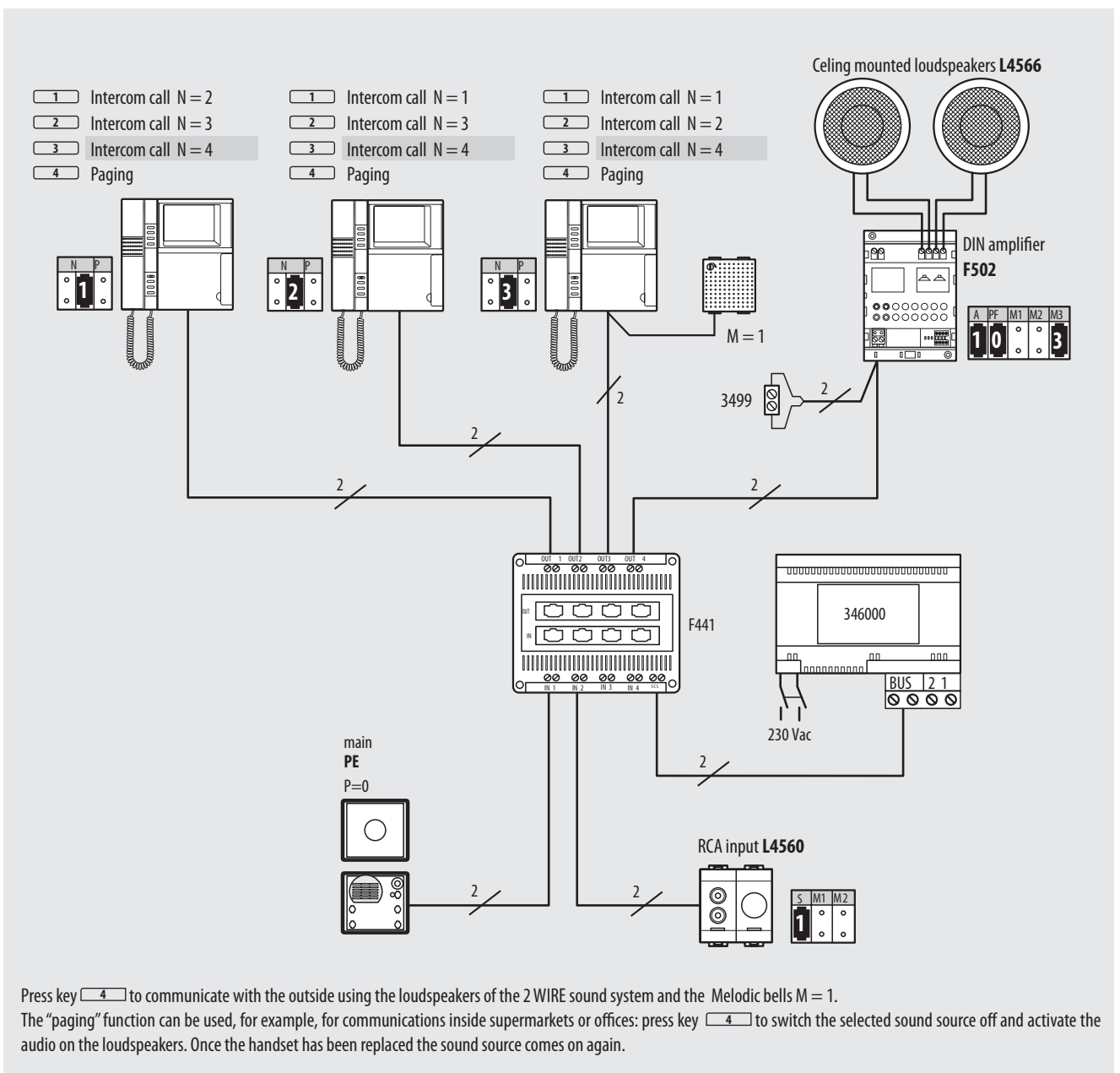


BT00653-a-EN

**Configuration**

**Example 9 - MOD = 6**

- Key  1 Intercom
- Key  2 Intercom
- Key  3 Intercom
- Key  4 Paging function using the loudspeakers of the 2 WIRE sound system and melodic bells with M = 1



Press key  4 to communicate with the outside using the loudspeakers of the 2 WIRE sound system and the Melodic bells M = 1. The "paging" function can be used, for example, for communications inside supermarkets or offices: press key  4 to switch the selected sound source off and activate the audio on the loudspeakers. Once the handset has been replaced the sound source comes on again.



**Assembly, Installation**

