



Wall mounted LINEA 2000 METAL entrance panel

342991-342992

Description

Wall mounted 2-wire pushbutton panel with Zamak front cover, colour camera, and night viewing white LED light. One and two-family version available. The camera can be swivelled by $\pm 15^\circ$, both horizontally and vertically. It provides the possibility of opening an electrical door lock connected directly to clamps S+ and S- (18 V 4 A impulsive, 250 mA holding current). Blue LED backlit name plate

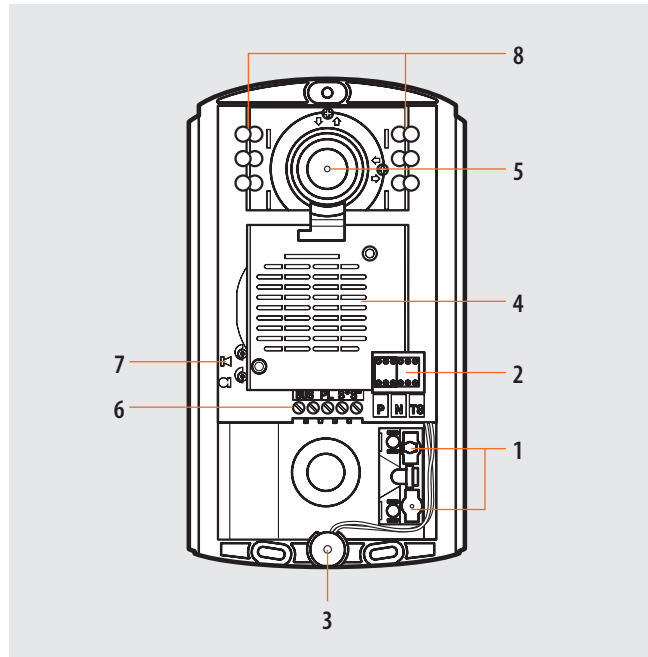
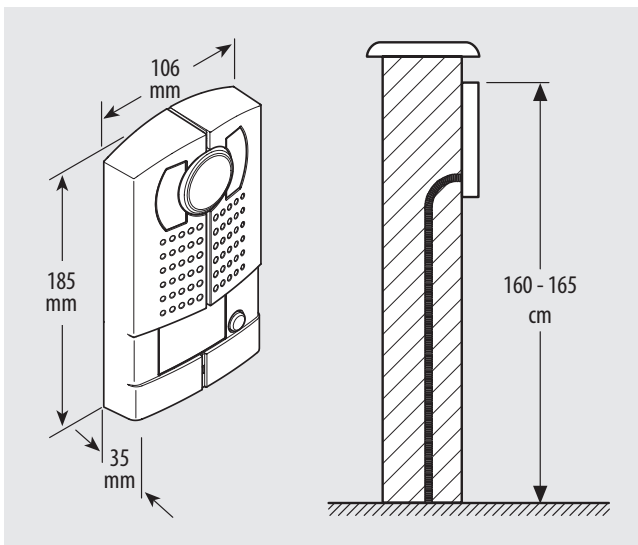
Related items

346250 (gate release relay module)

Technical data

Power supply from SCS BUS: 18 - 27 Vdc
 Stand by absorption: 20 mA
 Max. operating absorption: 240 mA
 Operating temperature: $(-25) - (+70)^\circ\text{C}$
 PI against mechanical impact: IK07

Dimensional data



Legend

- 1 - Call keys
- 2 - Configurator socket
- 3 - Microphone
- 4 - Loudspeaker
- 5 - Colour camera with camera slant adjustment horizontally and vertically by $\pm 15^\circ$
- 6 - Clamps for BUS and door lock connection: the module allows to control an electric door lock directly connected to the clamps S+ S- (18 V 4 A impulsive - 250 mA holding current 30 Ohm max)
- 7 - Microphone and loudspeaker volume adjustment
- 8 - White LEDs for night lighting

Configuration

The device must be configured as follows:

P - entrance panel number

The configurator in seat P of the speaker module assigns to it a recognition number inside the system. The numbering of the entrance panels must always start from P=0. The entrance panel configured with P=0 must be a common (or main) entrance panel.

N - call number

Assigns the correspondence between the entrance panel pushbuttons, and the audio or video handsets.

In common entrance panels made using pushbutton modules, 1 must be inserted in N of the speaker module. In secondary entrance panels, the number of the first riser handset must be inserted in N.

T - door lock relay timing

configurator number

0= No configurator	1	2	3	4	5	6	7
4 sec.	1 sec.	2 sec.	3 sec.	as pushbutt.	6 sec.	8 sec.	10 sec.

S - type of call signal

The configuration of S determines the call tone of the SPRINT handsets. One can thus differentiate the calls from different entrance panels.

Table for SPRINT handset call signal

Configurator	0	1	2	3
Type of bell	2-tone	2-tone	2-tone	One-tone
	1200Hz	1200Hz	1200Hz	1200Hz
	600Hz	0 Hz	2400Hz	

For the SWING, PIVOT, POLYX and AXOLUTE handsets, the **S configurator** associates the Entrance panel to the bell programmed in the same apartment. It is possible to chose between 16 different bells. In one-family systems **S=9 configure the general call**.