

LINEA 2000 METAL Black and white video entrance panels

Description

2 WIRE black and white video pushbutton panel with Zamak front cover.
Wall mounted. Blue LED backlit name plate
One and two-family version available.

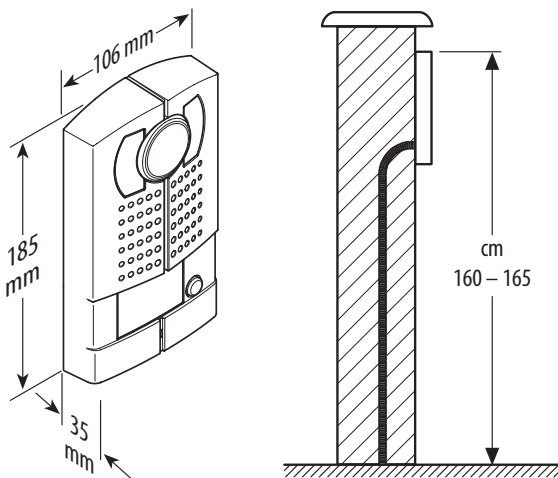
Related items

346250 relay module to control door lock not managed by BUS SCS

Technical data

Power supply from SCS BUS: 18 - 27 Vdc
Stand by absorption: 30 mA
Max. operating absorption: 270 mA
Operating temperature: (-25) – (+70)°C
Protection index: IP54
PI against mechanical impact: IK10

Dimensional data



Configuration

The device must be configured (only physically) as follows:

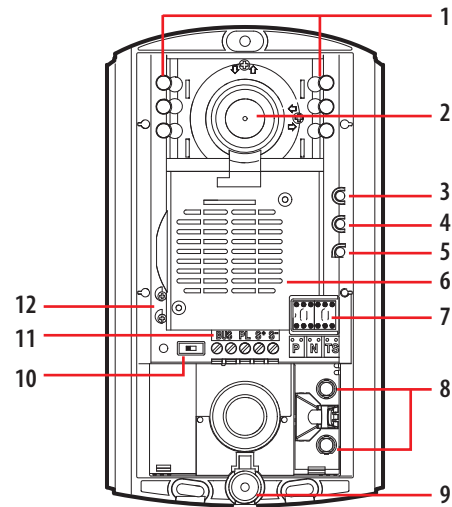
P - entrance panel number

The configurator in socket P of the speaker module assigns to this a recognition number inside the system.

The numbering of the entrance panels must always start from P=0. The entrance panel configured with P=0 must be a common (or main) entrance panel.

N - call number

Assigns the correspondence between the entrance panel pushbuttons and the audio handsets or video handsets.



Legend

- 1 - White LEDs for night lighting of the field of view
- 2 - B/W camera with slant adjustment horizontally and vertically by $\pm 15^\circ$
- 3 - Green LED: door open notification
- 4 - Green LED: communication active notification
- 5 - System status LED: flashing green = put through call
flashing red = busy system notification
- 6 - Loudspeaker
- 7 - Configurator socket
- 8 - Call keys
- 9 - Microphone
- 10 - Door lock opening sound enable/disable micro-switch
- 11 - Clamps for BUS connection and door lock: the module allows to control an electric door lock directly connected to the clamps S+ S- (18 V 4 A impulsive - 250 mA holding current 30 Ohm max)
- 12 - Microphone and loudspeaker volume adjustment

T - Door lock control time delay

configurator number

| configurator | 1 | 2 | 3 | 4* | 5 | 6 | 7 |
|--------------------|--------|--------|--------|--------------|--------|--------|---------|
| 0= No configurator | | | | as pushbutt. | | | |
| 4 sec. | 1 sec. | 2 sec. | 3 sec. | | 6 sec. | 8 sec. | 10 sec. |

* Operation as pushbutton for 10 sec. max, after which standby mode is activated. To extend operation time over 10 seconds, use actuator item 346200 / 346210 configured with MOD=5.

S - type of call signal

The configuration of S determines the call tone of SPRINT - SPRINT L2 handsets. One can thus differentiate the calls from different entrance panels.

Table for SPRINT - SPRINT L2 handset call signal

| Configurator | 0 | 1 | 2 | 3 |
|--------------|--------|--------|--------|----------|
| Type of bell | 2-tone | 2-tone | 2-tone | One-tone |
| | 1200Hz | 1200Hz | 1200Hz | 1200Hz |
| | 600Hz | 0 Hz | 2400Hz | |

For the SWING, PIVOT, POLYX, CLASSE 100 and AXOLUTE handsets, the S configurator associates the Entrance panel to the bell programmed in the handset. It is possible to chose between 16 different bells. In one-family systems, S=9 configures the general call and the handsets ring, the same as with the S=0.