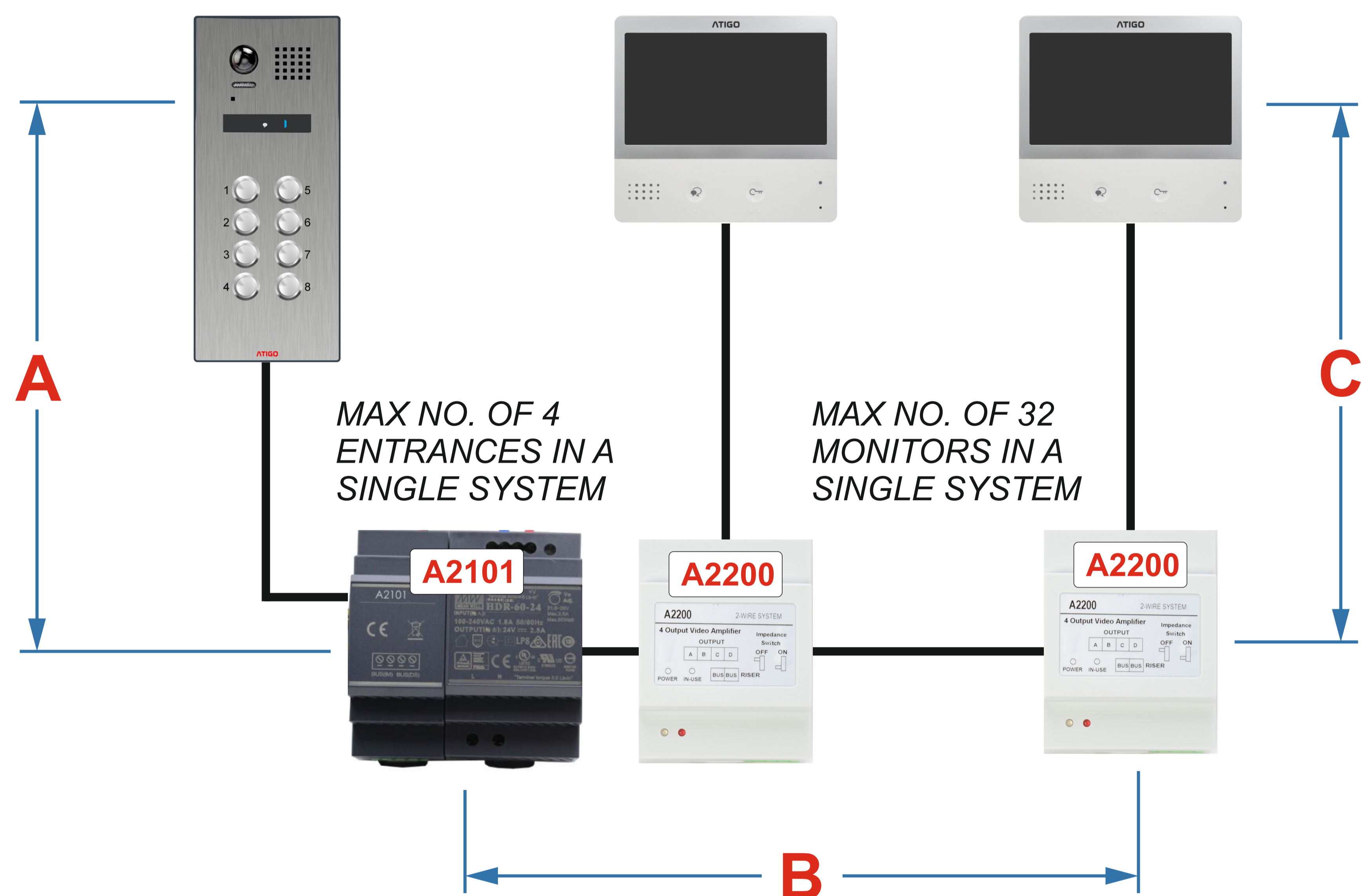


System Layout in Distributor Mode

Video system with single entrance and max. 32 monitors



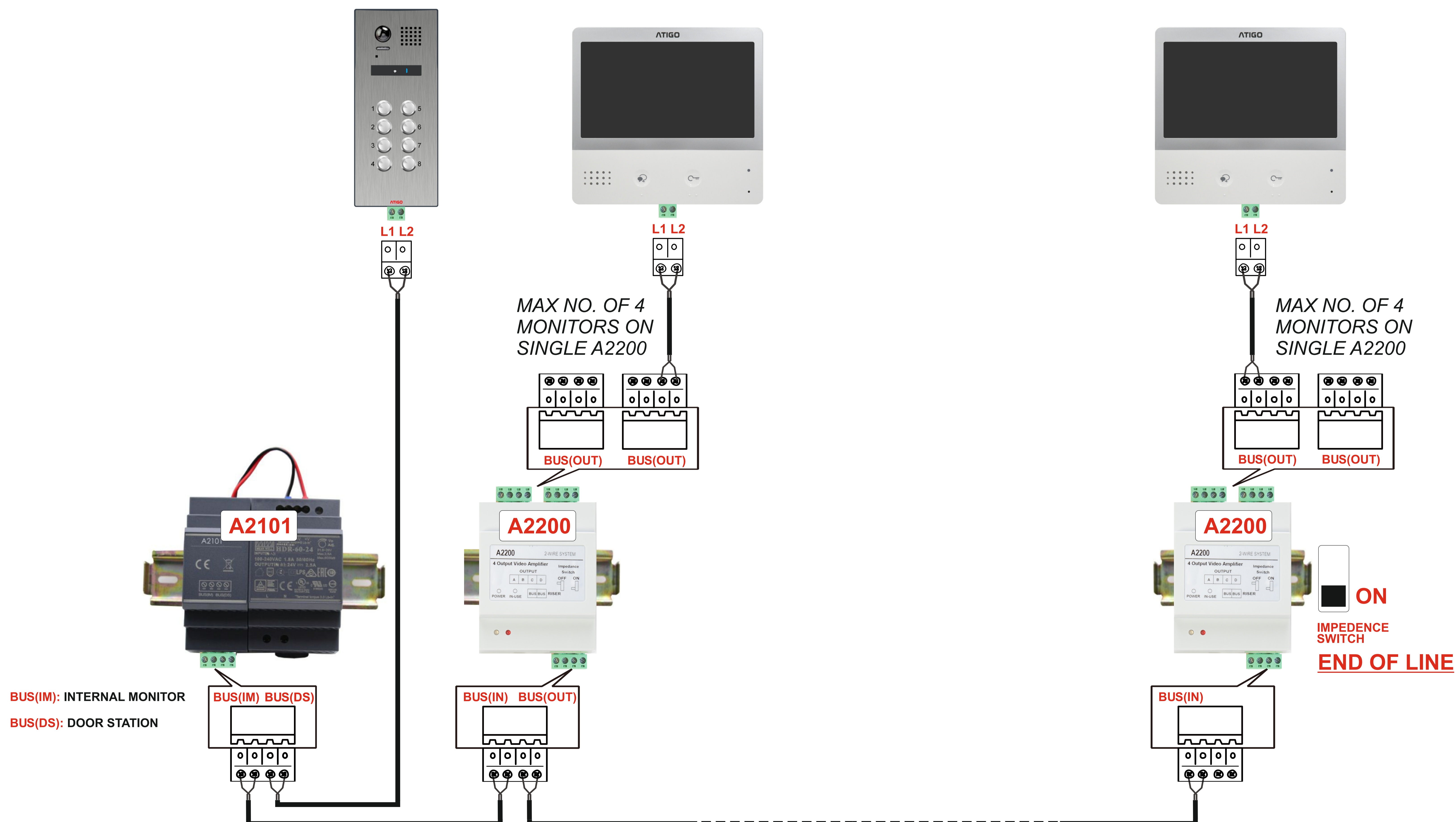
MAXIMUM CABLE DISTANCES

CABLE TYPE	A	B	C
Combine CAT5*	40 M	40 M	20 M
Belden 8762 or Equivalent	60 M	60 M	30 M
Single Twisted Pair Stranded Cable 2 x 0.75mm	60 M	60 M	30 M
Single Twisted Pair Stranded Cable 2 x 1.00mm	80 M	70 M	30 M

Combine CAT5*:
 This cable type require all cores to be equally divided and twisted together in to two cores:
 Solid colours = core 1
 White colours = core 2

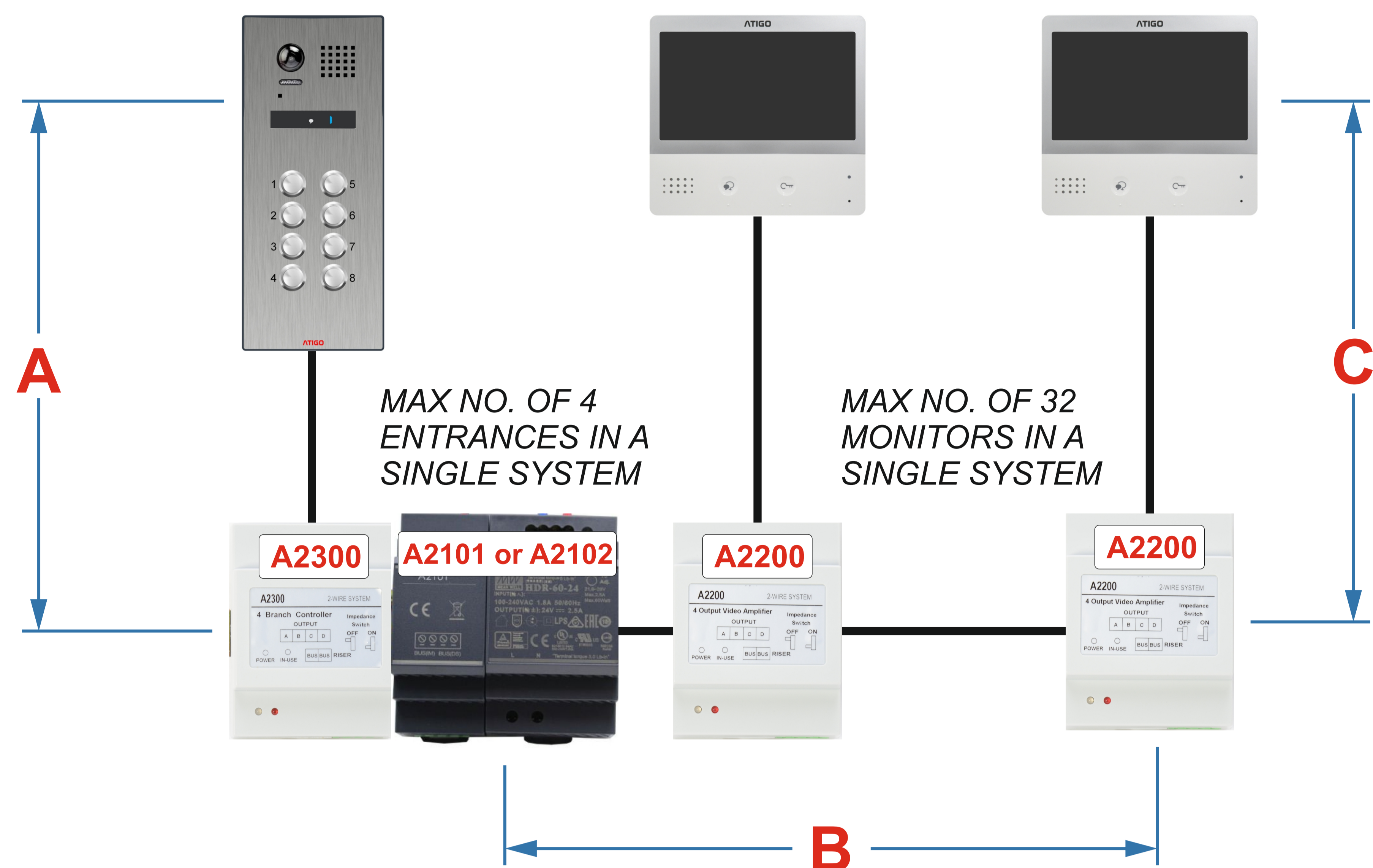
Connections Diagram

2d-at2-1e-32h-dm



System Layout in Distributor Mode

Video system with 4 entrances and max. 32 monitors



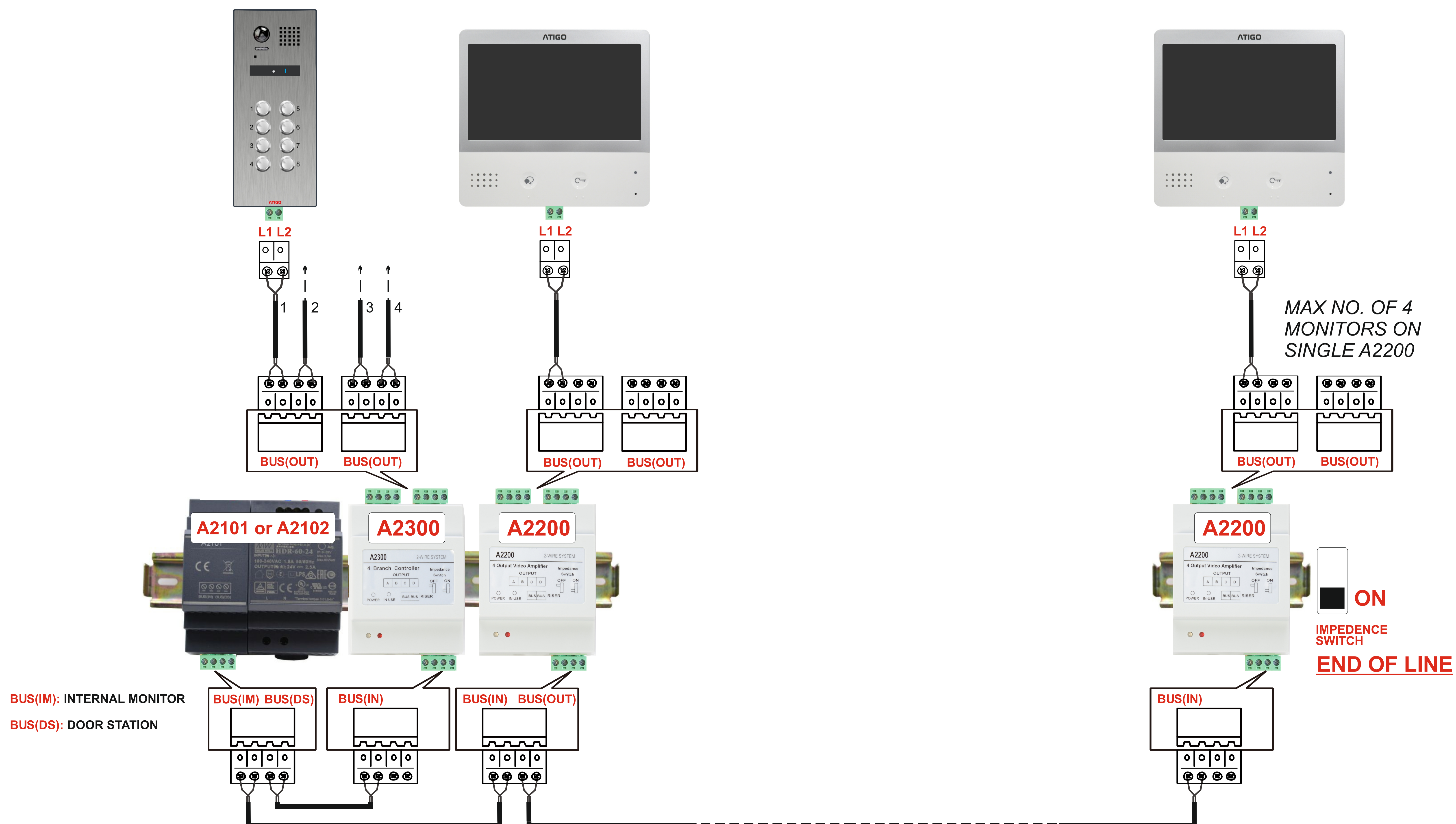
MAXIMUM CABLE DISTANCES

CABLE TYPE	A	B	C
Combine CAT5*	40 M	40 M	20 M
Belden 8762 or Equivalent	60 M	60 M	30 M
Single Twisted Pair Stranded Cable 2 x 0.75mm	60 M	60 M	30 M
Single Twisted Pair Stranded Cable 2 x 1.00mm	80 M	70 M	30 M

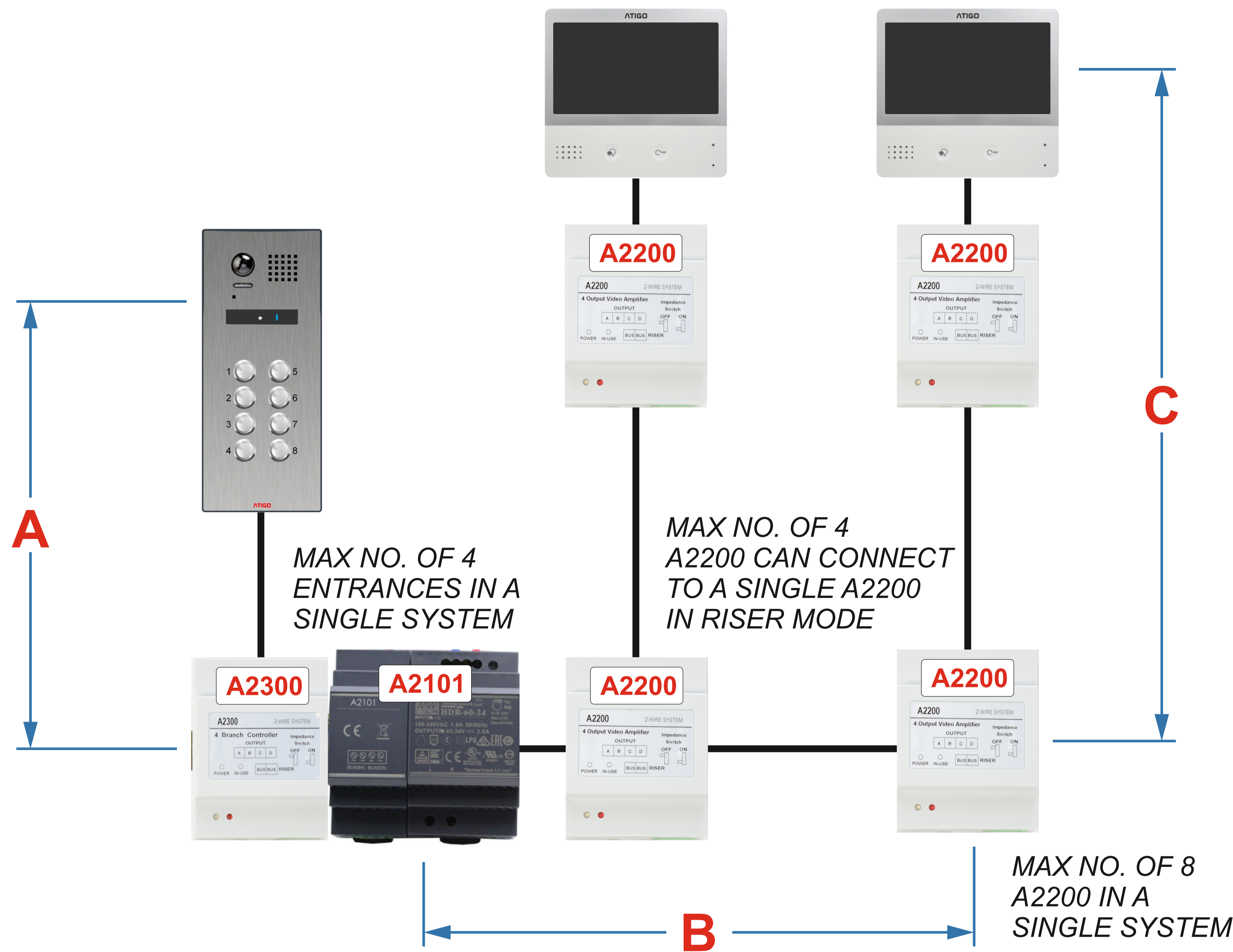
Combine CAT5*:
 This cable type require all cores to be equally divided and twisted together in to two cores:
 Solid colours = core 1
 White colours = core 2

Connections Diagram

2d-at2-4e-32h-dm



System Layout in Riser Mode



Video system with 4 entrances and max. 32 monitors

MAXIMUM CABLE DISTANCES

CABLE TYPE	A	B	C
Combine CAT5*	40 M	40 M	20 M
Belden 8762 or Equivalent	60 M	60 M	30 M
Single Twisted Pair Stranded Cable 2 x 0.75mm	60 M	60 M	30 M
Single Twisted Pair Stranded Cable 2 x 1.00mm	80 M	70 M	30 M

Combine CAT5*:
 This cable type require all cores to be equally divided and twisted together in to two cores:
 Solid colours = core 1
 White colours = core 2

Connections Diagram

2d-at2-4e-32h-rm

