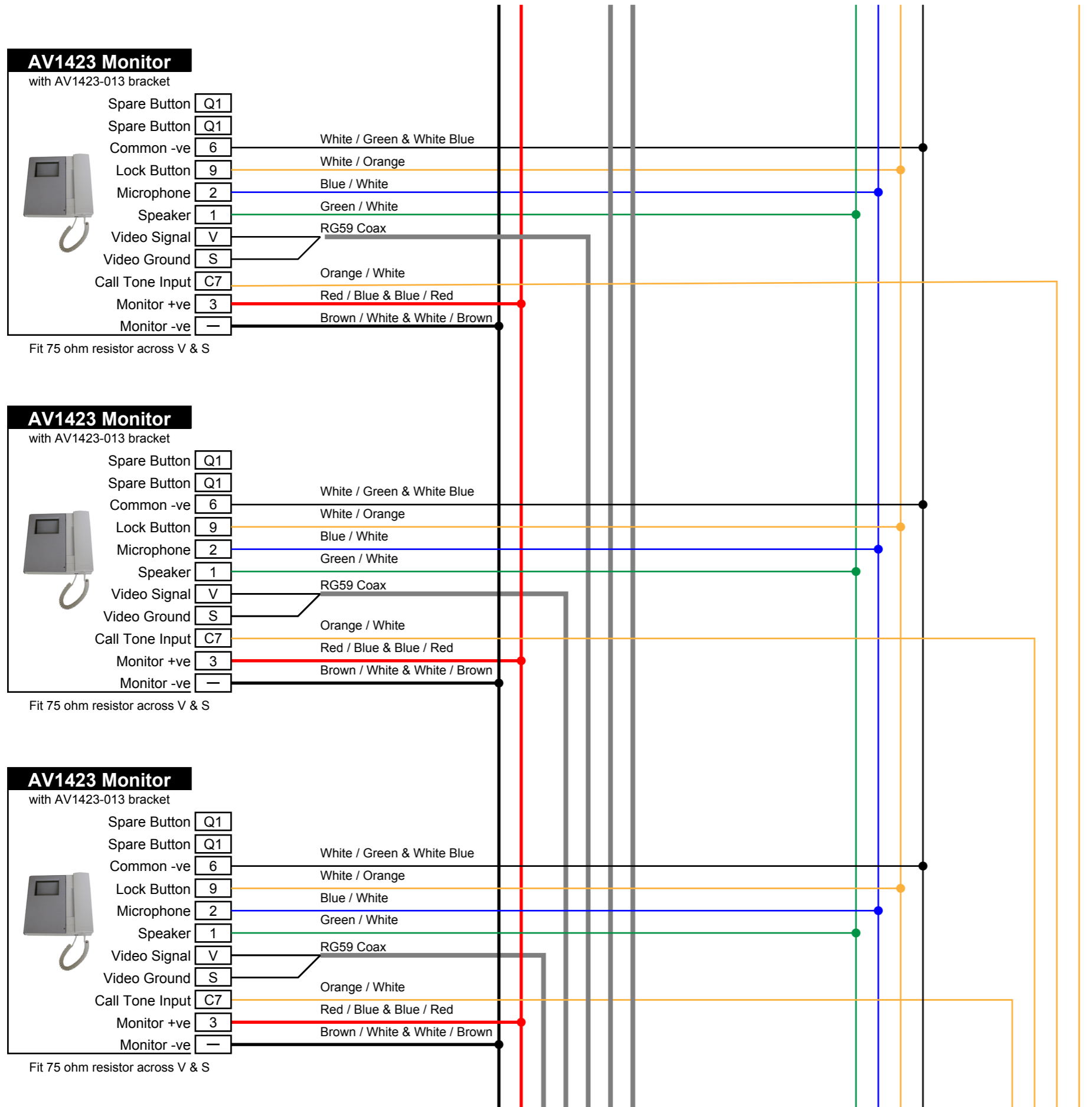


4000 Series video door entry system n users, 2 entrances, with DC50 Keypads



Installation Notes

Cable

Maximum recommended overall distance for 6 pair CW1308 BT spec. cable run is 100 metres.

For longer distances up to 250 metres the cables R1 & R2 should be 2.5mm diameter. Make connections as shown in the diagram to avoid interference.

Maximum distance from 9432 to entrance panel is 25 metres.

9432 Entrance Relay

When a call is made, current is drawn from PS (Entrance A or B). The 9432 Entrance Relay will latch to the calling entrance for approximately 20 seconds or the duration of the call (whichever is longer). The other entrance will hear an engaged tone if a call is made.

Position the power supplies (9307.1 & 9008V2) and Entrance Relay (9432) close to each other

Monitor

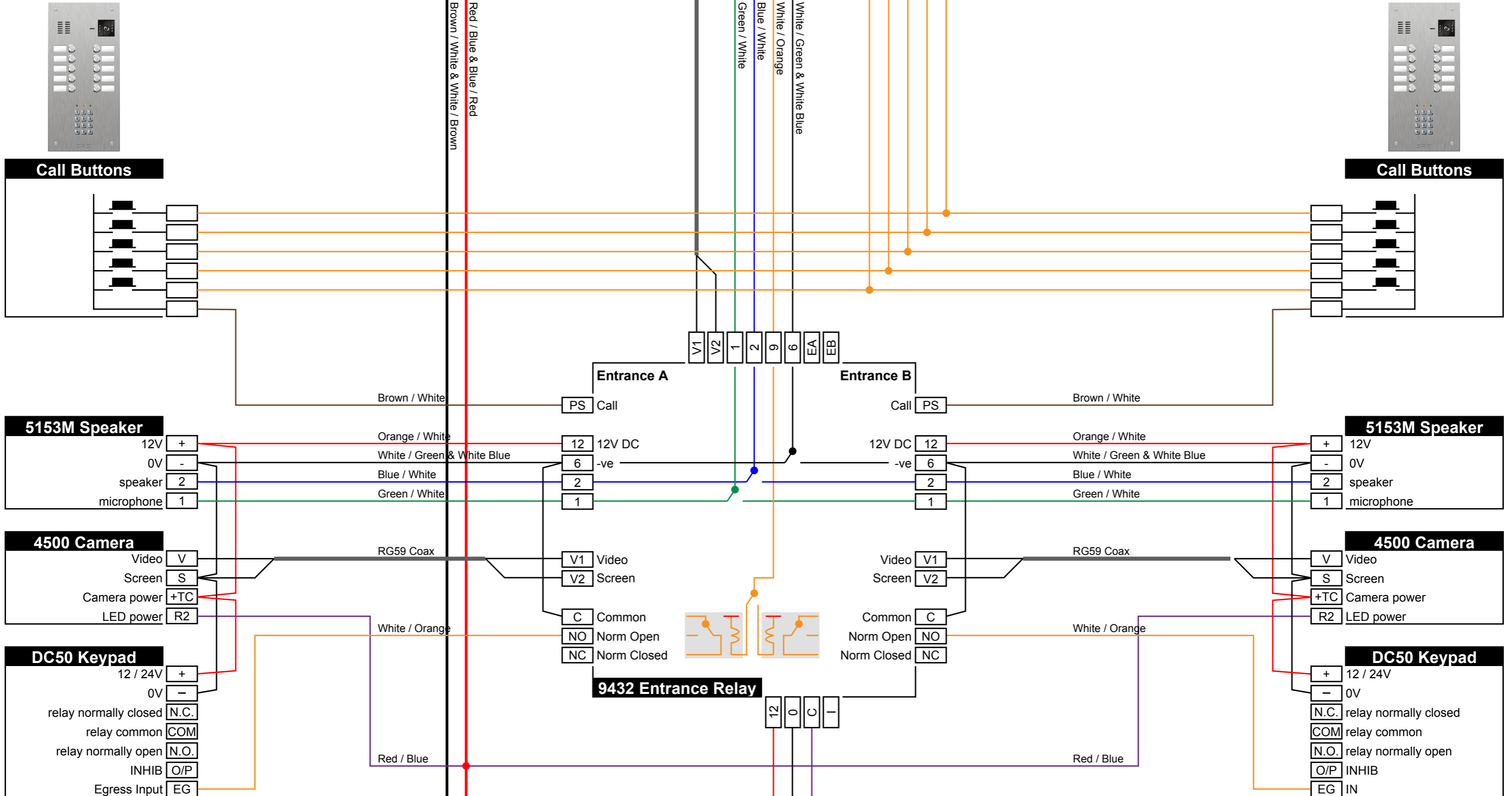
When the monitor is called the output R2 (18V) is started (R2 LED will light). The combination of the 18V and the call tone arriving at the monitor cause it to switch on.

Please Note

2 wires are shown connected in parallel for terminal 6, to the -ve at the speaker unit. This is intentional and should be followed for best results.

AN0606 Distributor

- Video Out V4
- Video Out V3
- Video Out V2
- Video Out V1
- Video Out Out
- Video In IN
- 18V 3
- 0V 1



Call Buttons

Call Buttons

5153M Speaker

5153M Speaker

4500 Camera

4500 Camera

DC50 Keypad

DC50 Keypad

9432 Entrance Relay

Entrance A

Entrance B

- 12V +
- 0V -
- speaker 2
- microphone 1

- 12V +
- 0V -
- speaker 2
- microphone 1

- Video V
- Screen S
- Camera power +TC
- LED power R2

- Video V
- Screen S
- Camera power +TC
- LED power R2

- 12 / 24V +
- 0V -
- relay normally closed N.C.
- relay common COM
- relay normally open N.O.
- INHIB O/P
- Egress Input EG

- 12 / 24V +
- 0V -
- relay normally closed N.C.
- relay common COM
- relay normally open N.O.
- INHIB O/P
- IN EG

- PS Call
- 12 12V DC
- 6 -ve
- 2
- 1

- PS Call
- 12 12V DC
- 6 -ve
- 2
- 1

- C Common
- NO Norm Open
- NC Norm Closed

- C Common
- NO Norm Open
- NC Norm Closed

- 12
- 0
- C
-

Brown / White & Blue / Red

Green / White

Blue / White

White / Orange

White / Green & White Blue

Brown / White

Brown / White

Orange / White

Orange / White

White / Green & White Blue

White / Green & White Blue

Blue / White

Blue / White

Green / White

Green / White

RG59 Coax

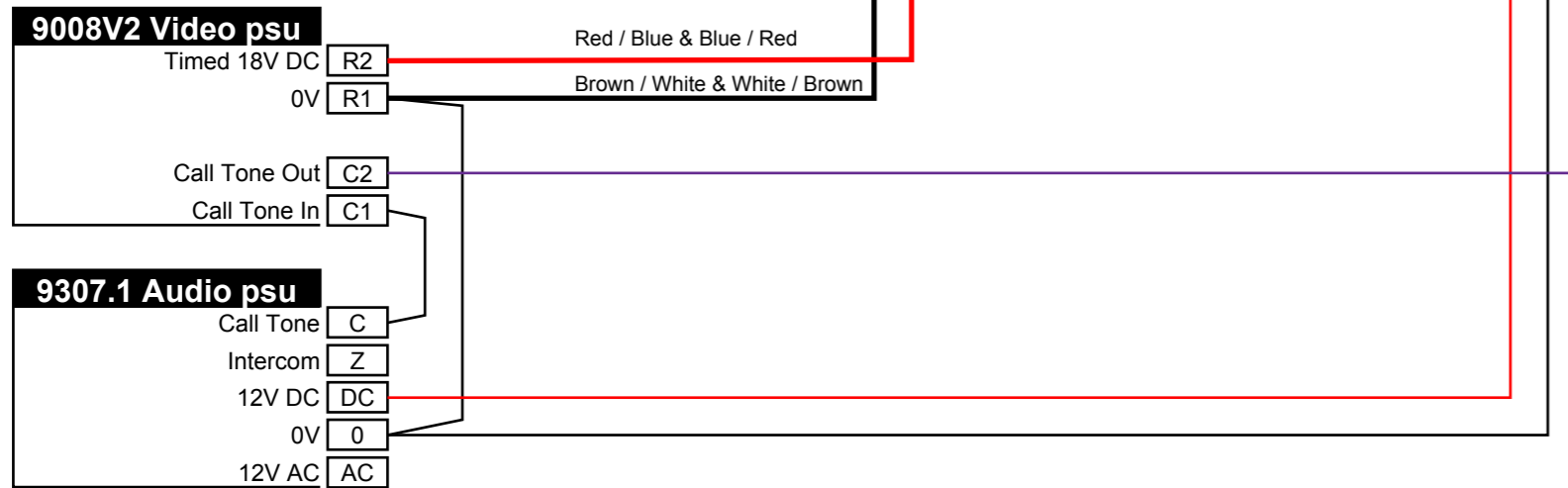
RG59 Coax

White / Orange

White / Orange

Red / Blue

Red / Blue



Locking Options

Note : 9307.1 provides MAX 500mA 12V AC or 12V DC for lock - Replace 9307.1 connections for alternative PSU if more current is required

