

Installation Notes :

Locking Note
Always fit the Tranzil (lock suppressor) supplied.

Video Note
Fit 75Ω resistor at each monitor if using AN0606 as shown.

Cable requirements :
It is recommended that cables are star wired to the video monitors from a central point

Maximum recommended overall distance for CW1308 BT spec. twisted paired cable run is 100 metres. For longer cable runs up to 250 metres the cables R1 & R2 should be 2.5mm dia.

Make connections as per diagram in order to avoid interference.

The action of making a call will draw current from C2 at the 9008 power supply. The timed output R2 (18vdc) is started. The monitor can be lit only whilst the timer is running and a call has been made.

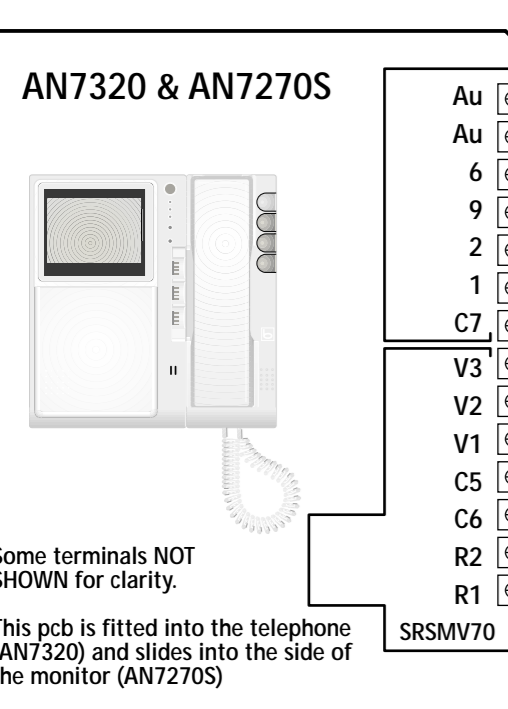
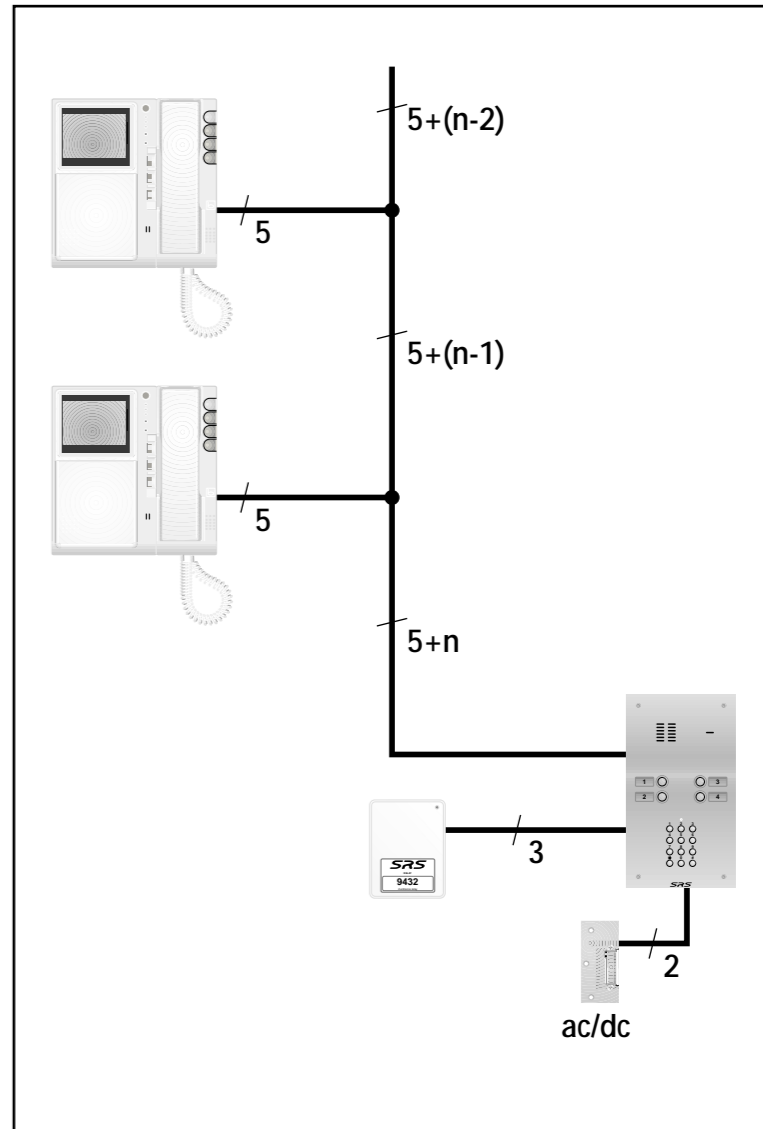
Video Telephone
Three monitors may be called simultaneously. For simultaneous call add local power supply (AN5498S) for each additional monitor.

Please Note
TWO wires for terminal 6 of the telephone. White / Green & White / Blue are shown. This is intentional and should be followed for best results.

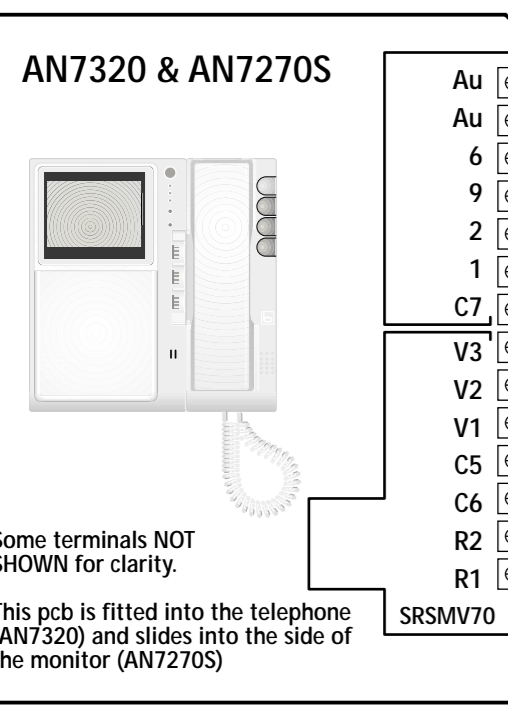
Spare buttons
Two push buttons are available for other functions (eg. opening a second lock) marked Au/Au & Q1/Q1. These are both push to make momentary switches.

Keypad
The programmable keypad can be built into the panel or supplied as a separate unit.

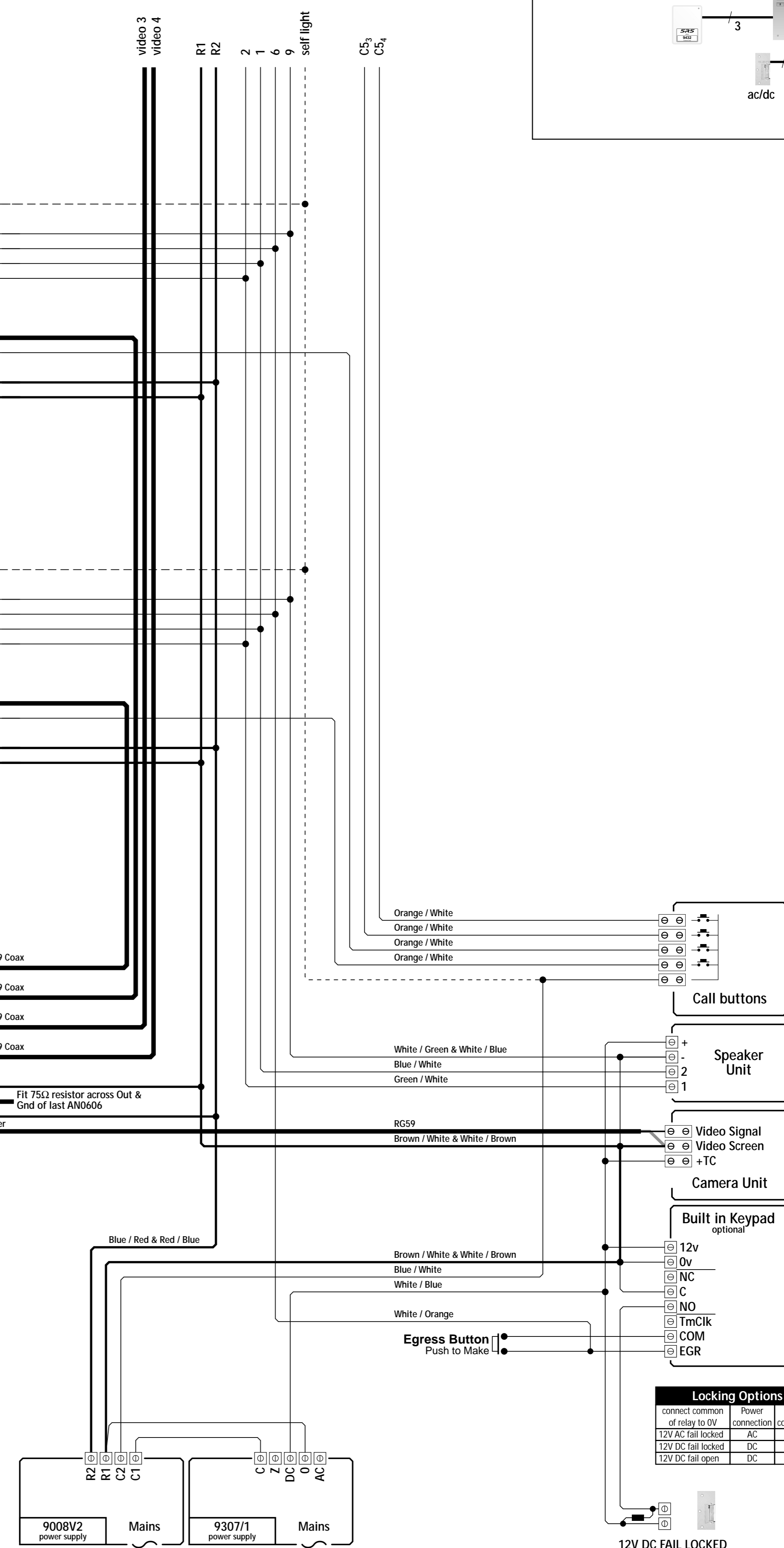
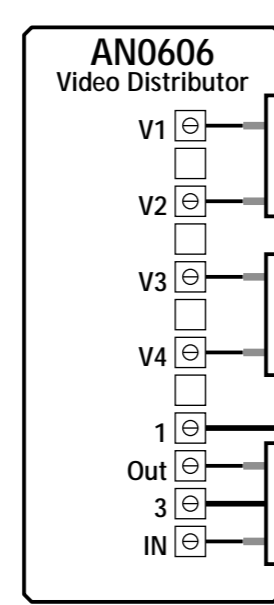
Set the lock time on the keypad. See keypad instructions.



CW1308 telephone cable



CW1308 telephone cable



Locking Options		
connect common of relay to 0V	Power connection	Relay connection
12V AC fail locked	AC	N/O
12V DC fail locked	DC	N/O
12V DC fail open	DC	N/C

12V DC FAIL LOCKED
illustrated with tranzil fitted