

Installation Notes :

Using the System :

The system is used for communication between the door panel and the apartment monitor in buildings with one entrance.

Call volume is adjusted on the monitor

Call from the Apartment door :

It is possible to call the monitor from the apartment door by connecting terminal 9 to terminal 5 at the monitor via a push to make button.

Intercom Facility :

You may call up to 5 monitors in parallel from the entrance panel. Intercom between the monitors is possible by pressing the internal call button . Do not push the button before pressing the since the internal communication would be heard at the entrance panel

Intercom connection between monitors is possible by connecting terminals 10, 11, 12 in parallel. **In this case it may be necessary to increase the cable cross section. ******

General Installation Information :

The diameter of the cables 1 and 2 should be 1mm² for up to 20 apartments and 1.5mm² for up to 40 apartments.

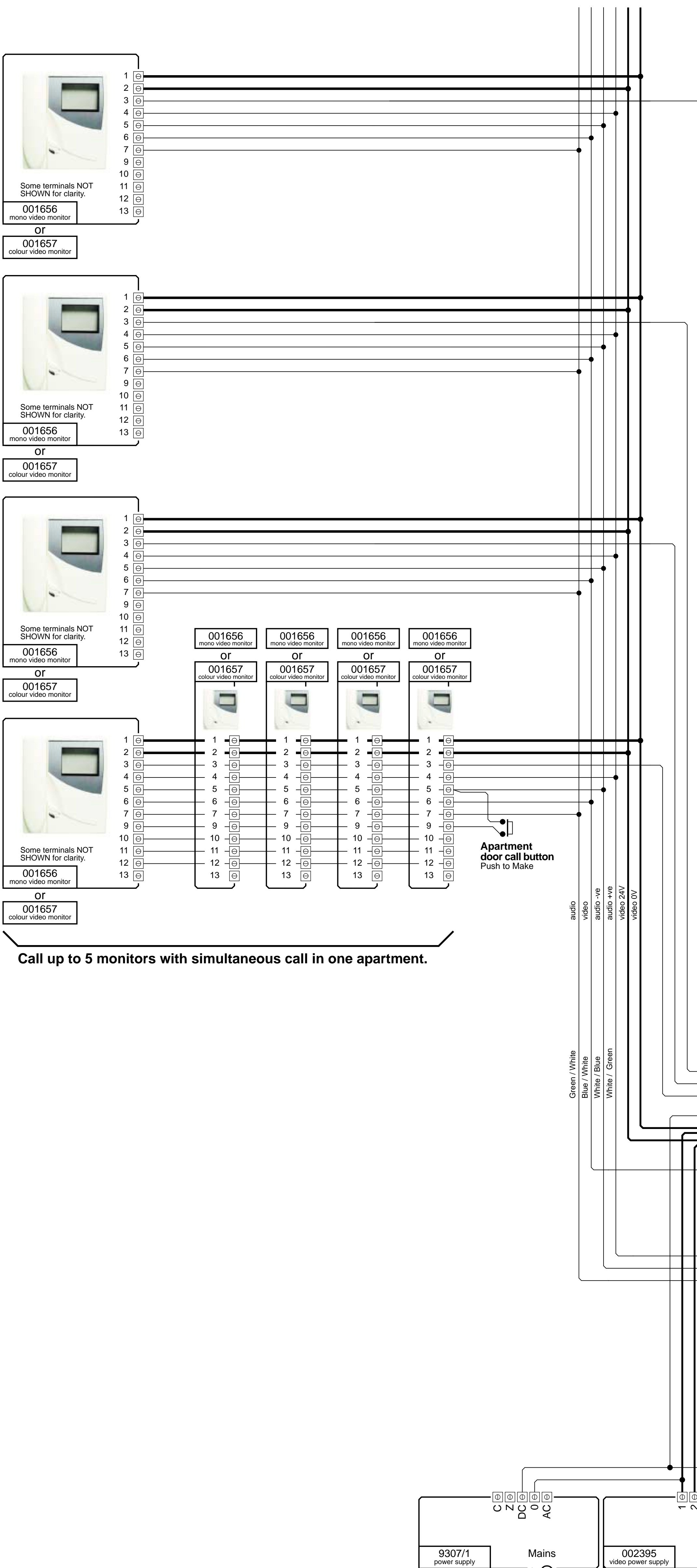
All other wires must be minimum of 0.5mm².

Intercom is available between the monitors by connecting 10, 11, 12

Terminal 9 connection is only required if calling the monitor(s) from a call button at the apartment door

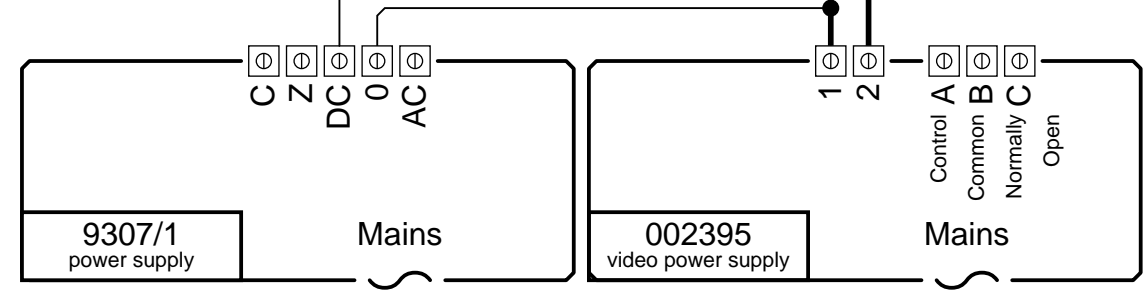
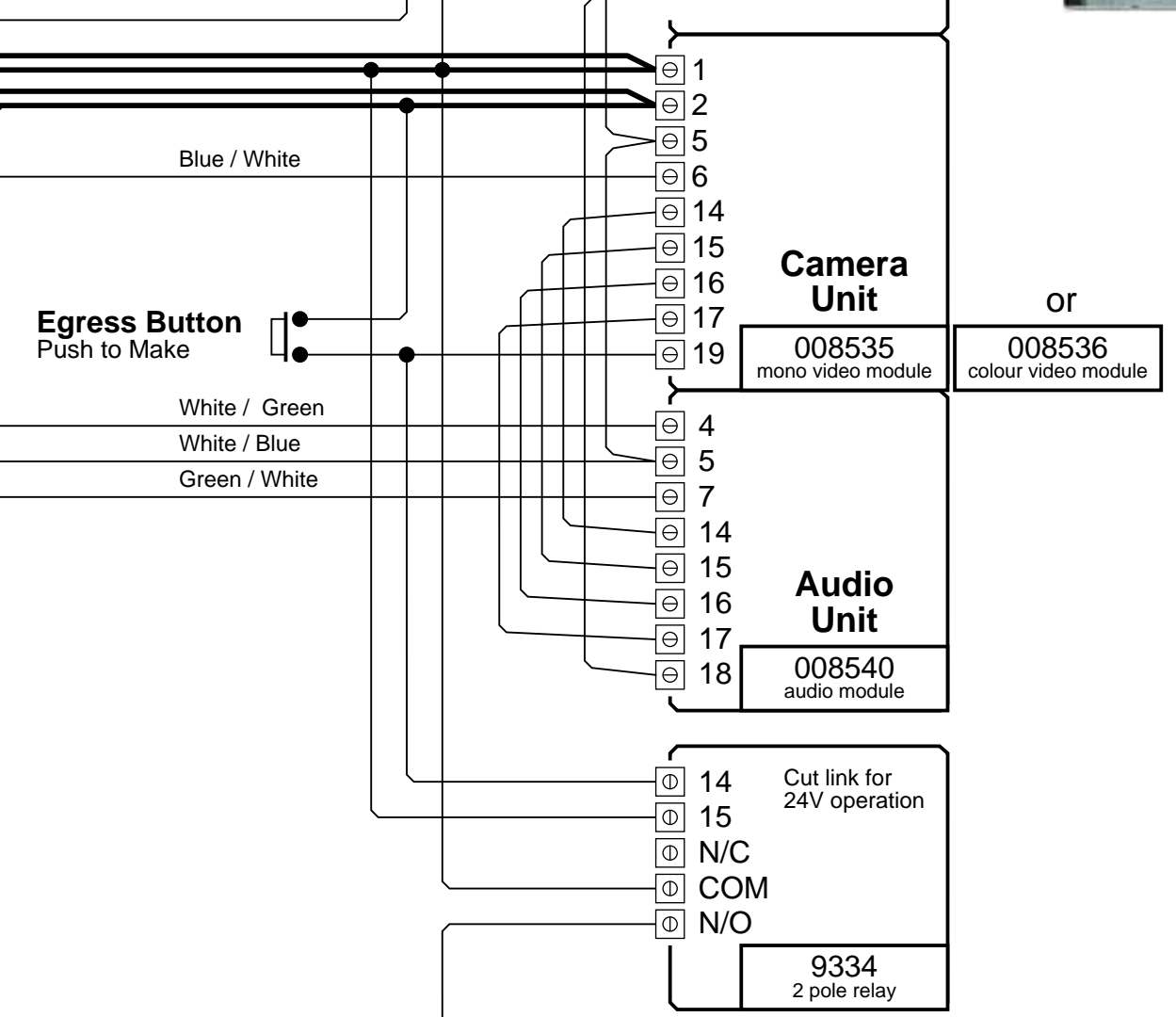
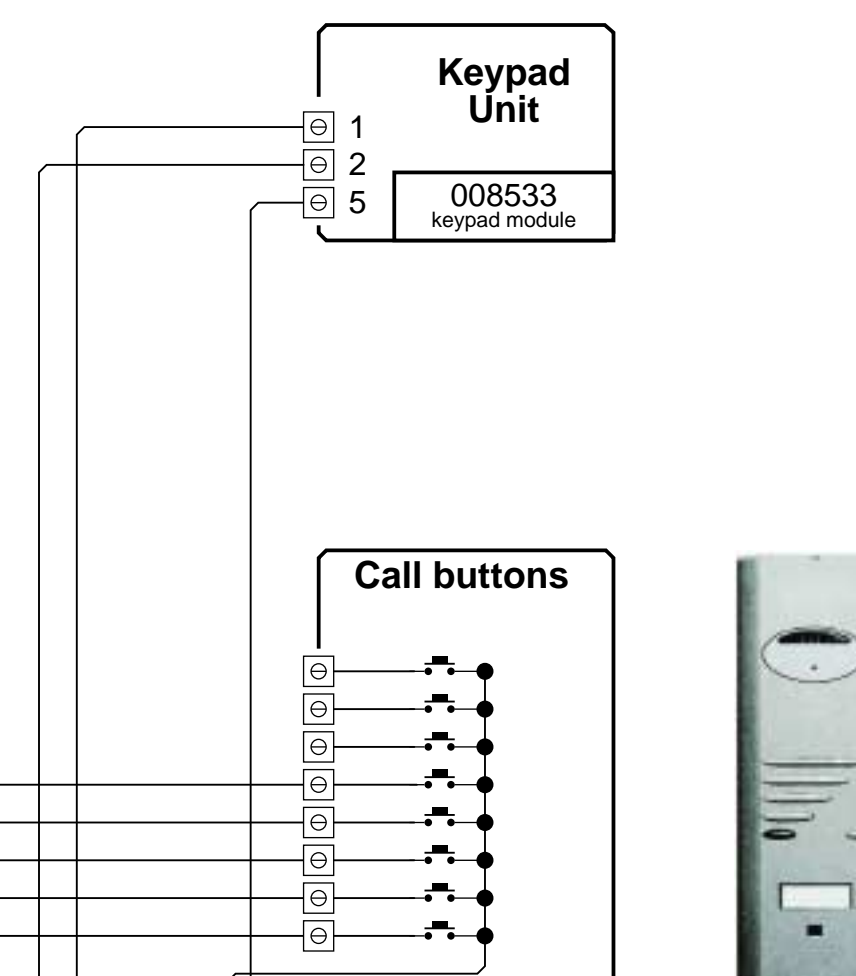
Functions of the monitor buttons

- View the main door camera
- Function button (eg stair lighting, call lift). Defaults to view the main door camera if not used.
- Call parallel monitor(s)
- Unlock the door



Optional Keypad Module

Connection information



Locking Options		
connect common of relay to 0V	Power connection	Relay connection
12V AC fail locked	AC	N/O
12V DC fail locked	DC	N/O
12V DC fail open	DC	N/C

Access Control interface
Connect relay output COM & N/O to egress input on access control. Do not connect COM to 0V as shown on the diagram

12V DC FAIL LOCKED