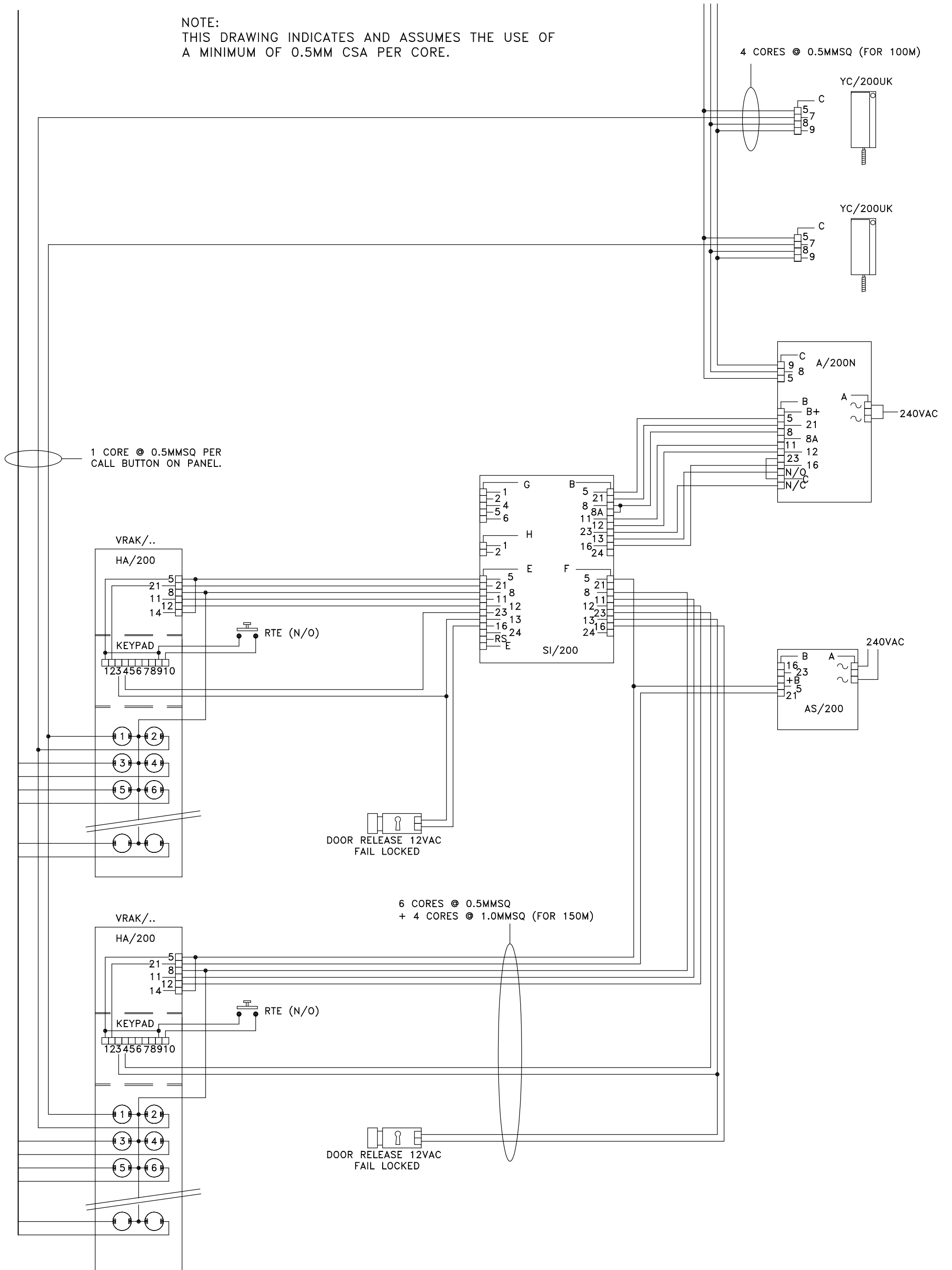


NOTE:
THIS DRAWING INDICATES AND ASSUMES THE USE OF
A MINIMUM OF 0.5MM CSA PER CORE.



BPT (UK) LTD. HERTS. ENGLAND	PREPARED FOR INSTALLER INFORMATION	DATE: 01/06/04	DRAWN:RC
		REVISED:	
DRAWING TITLE:	MULTI-FLAT INSTALLATION USING 2 VR AUDIO ENTRY PANELS WITH KEYPADS	DRAWING No: E-NV2YNLK	