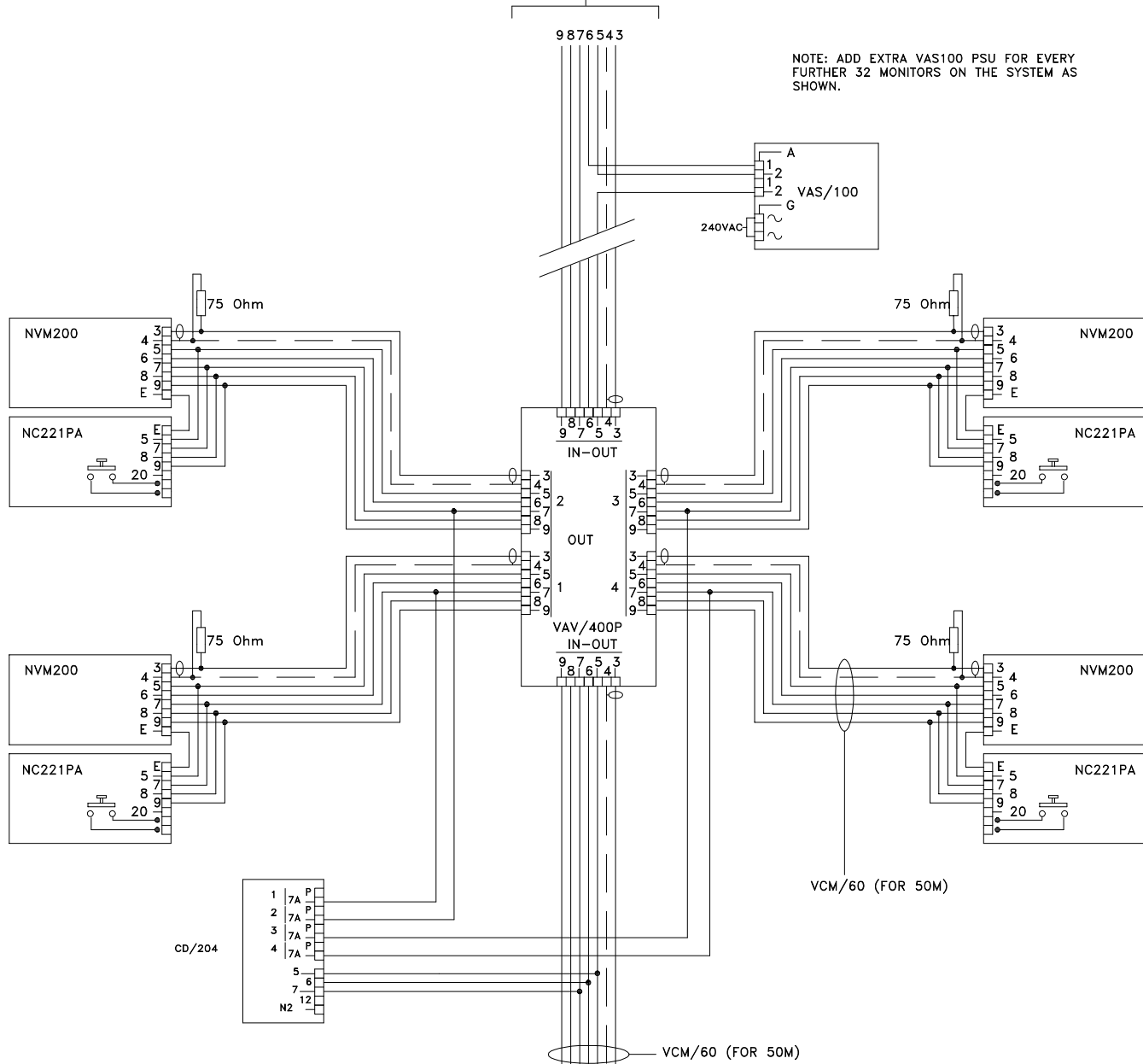


75 Ohm ENSURE LAST VAV/400P IN/OUT BLOCK HAS A 75 Ohm RESISTOR FITTED ACROSS TERMINALS 3 & 4.

TO FURTHER MONITORS AND CD/204 AS REQUIRED

NOTE: ADD EXTRA VAS100 PSU FOR EVERY FURTHER 32 MONITORS ON THE SYSTEM AS SHOWN.



NOTE: THIS DRAWING INDICATES AND ASSUMES THE USE OF BPT COMPOSITE CABLES OR A SUITABLE EQUIVALENT.

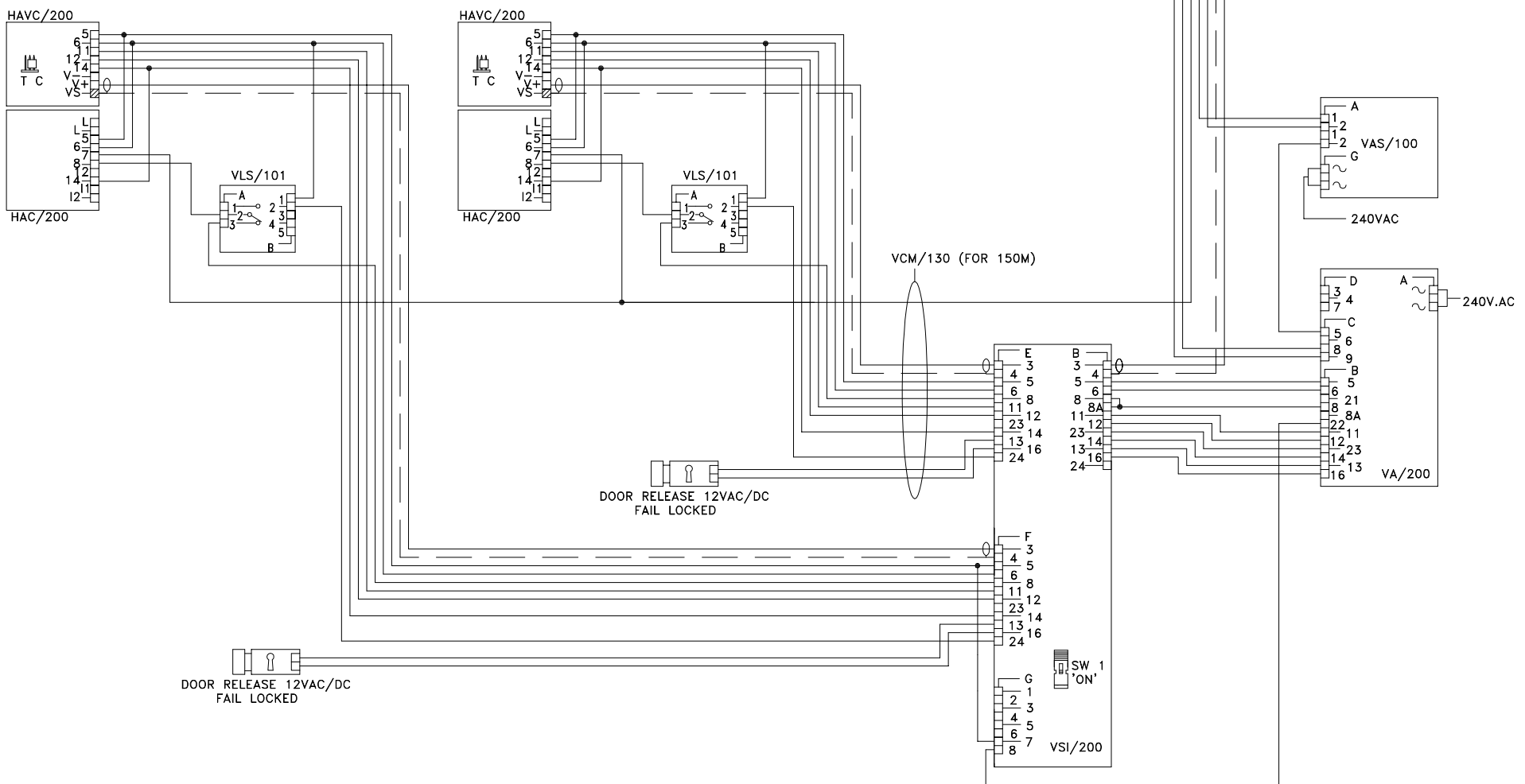
ENSURE ALL ADDITIONAL CONNECTIONS ARE A MINIMUM OF 0.5MM CSA PARALLEL CONDUCTORS.

INCORRECT CABLE SPEC CAN CAUSE DIGITAL SIGNALING PROBLEMS.

NOTE: CABLE EQUIVALENTS

VCM/130 = RG59 COAX + 4 CORES @ 1.0MMSQ + 8 CORES @ 0.5MMSQ

VCM/60 = RG59 COAX + 2 CORES @ 1.0MMSQ + 3 CORES @ 0.5MMSQ



BPT (UK) LTD. HERTS. ENGLAND	PREPARED FOR INSTALLER INFORMATION	DATE: 13/02/08	DRAWN:RC
		REVISED:	
DRAWING TITLE:	2 X DIGITAL TARGHA VIDEO ENTRY PANELS & NOVA MONITORS	DRAWING No: B-XT2NNL	