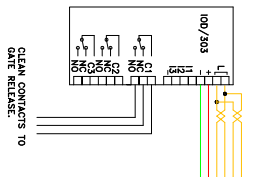
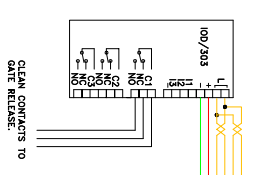
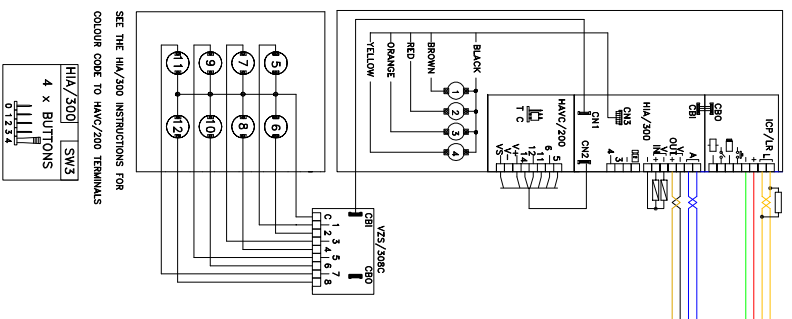
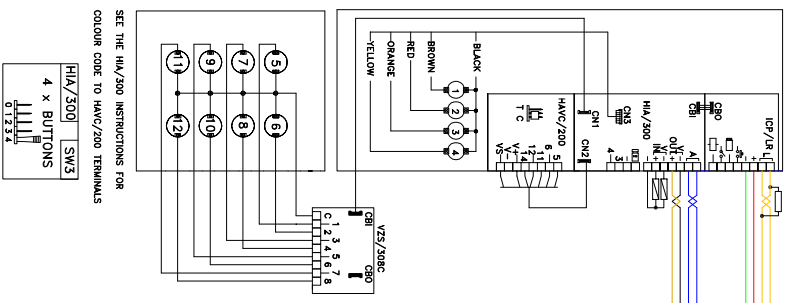
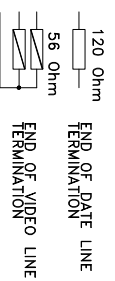


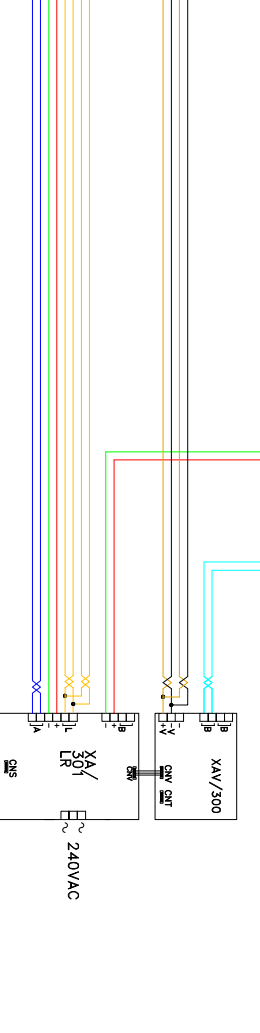
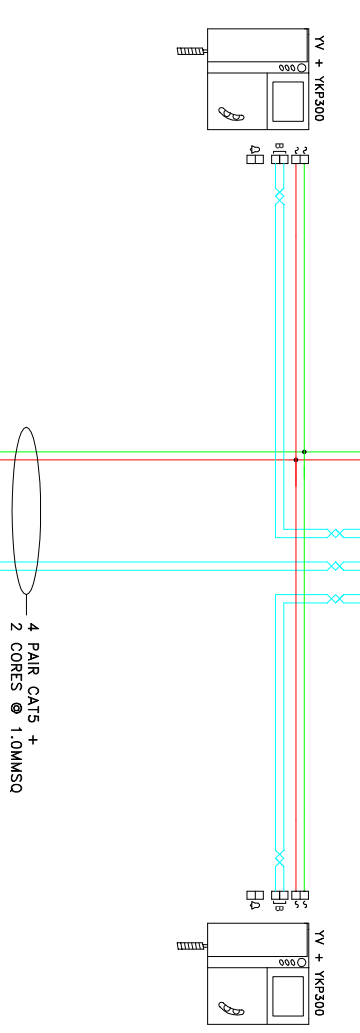
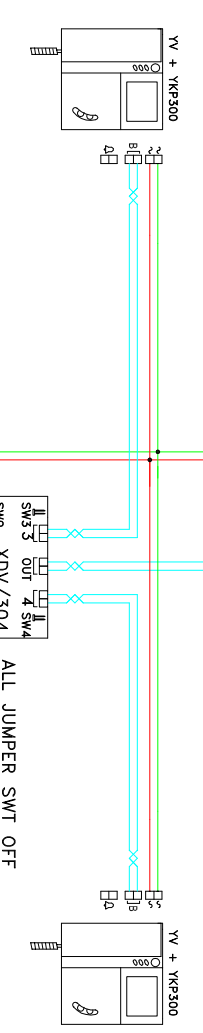
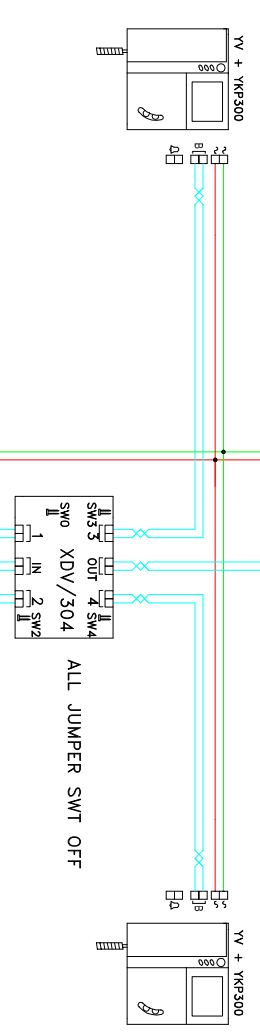
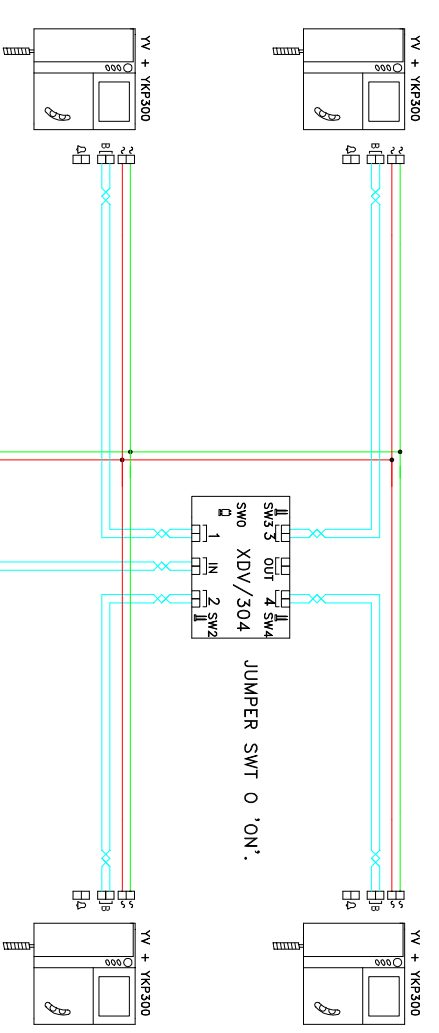
1. IT IS VITAL THAT THE CLOSING RESISTANCES SHOWN ON THE DRAWING AS 56R & 120R ARE CONNECTED AS INDICATED.

2. THE TWISTED PAIRS MUST NOT BE UNTWISTED TO SIMPLY INSERTION INTO TERMINALS. KEEP THEM TWISTED TOGETHER ALL THE WAY INTO THE TERMINALS



4 PAIR CATS + 2 CORES @ 1.0MMSQ (FOR 150M)

4 PAIR CATS + 2 CORES @ 1.0MMSQ (FOR 150M)



BPT (UK) LTD. HERTS. ENGLAND	PREPARED FOR INSTALLER INFORMATION	DATE: 28/07/08	DRAWN: RC
DRAWING TITLE:		REVISED:	
		DRAWING No: C-12V2YNC	