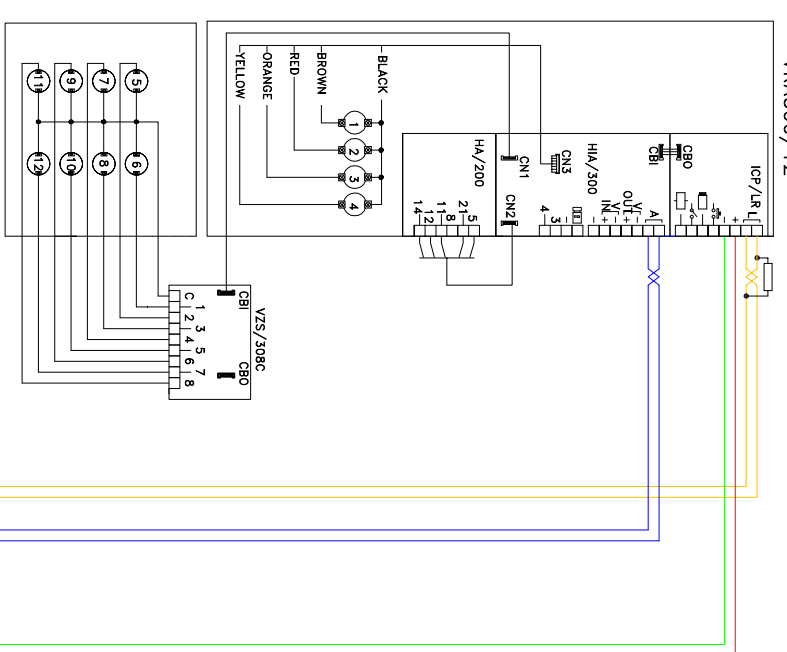
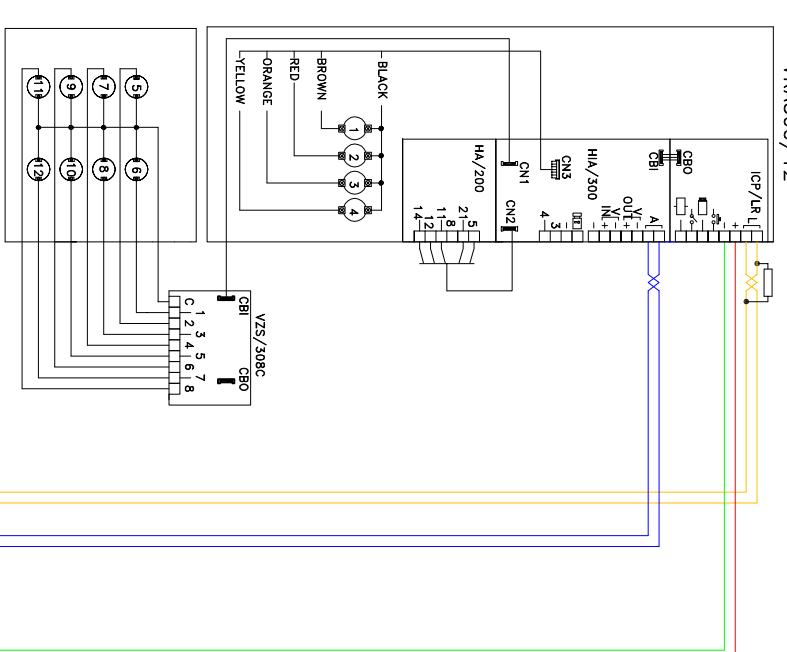


AUDIO ENTRANCE PANEL
VRA300/12

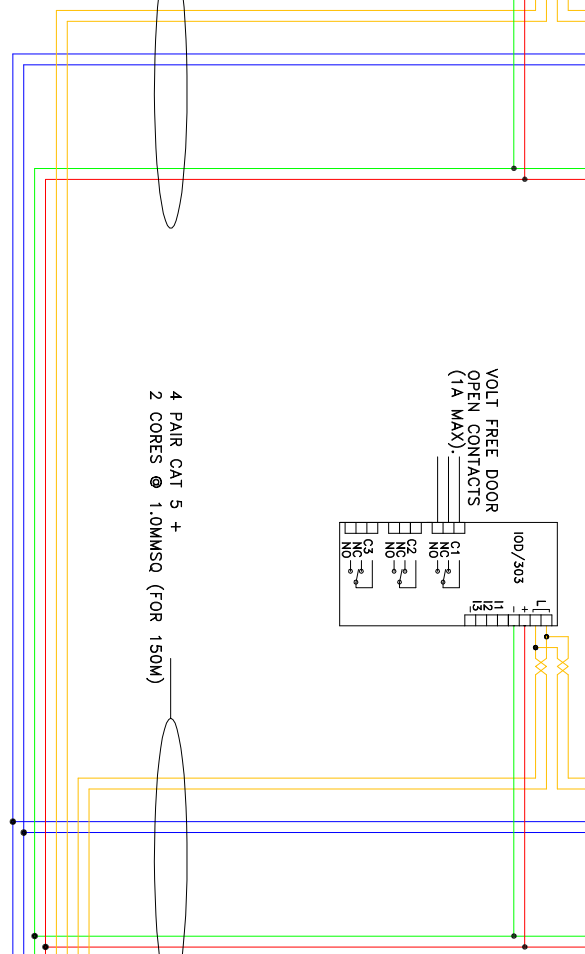


AUDIO ENTRANCE PANEL
VRA300/12



4 PAIR CAT 5 +
2 CORES @ 1.0MMSQ (FOR 150M)

4 PAIR CAT 5 +
2 CORES @ 1.0MMSQ (FOR 150M)

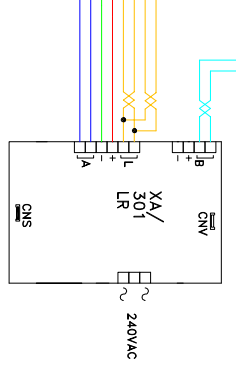
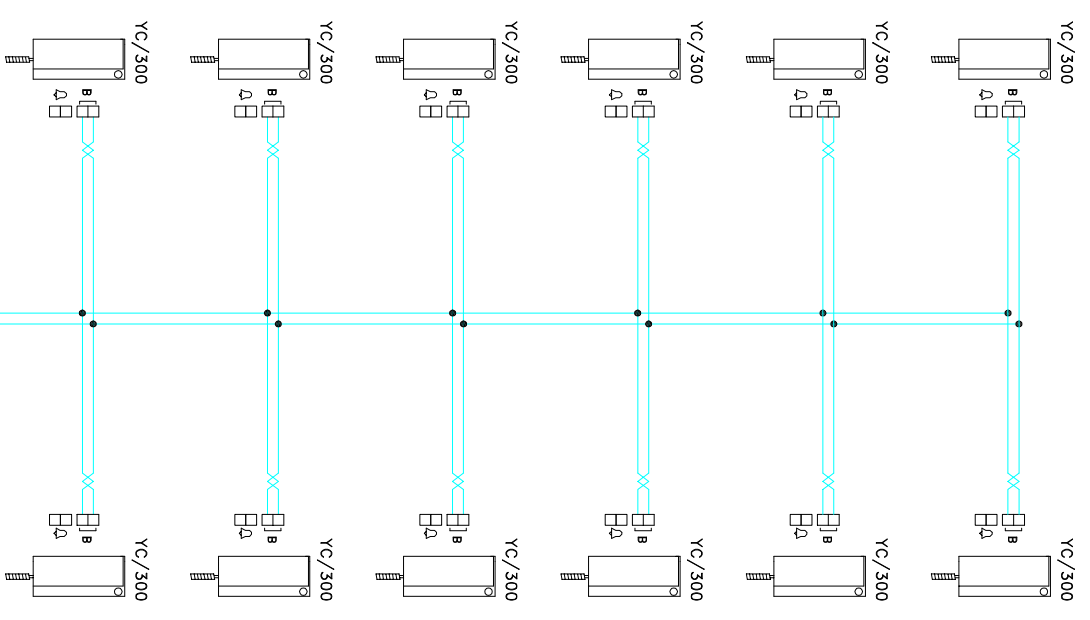
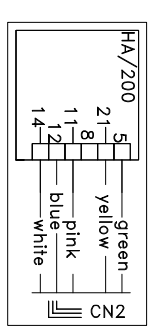
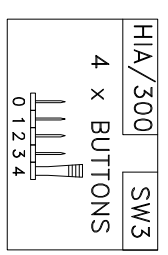
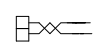


INSTALLER NOTE:

PLEASE ENSURE PAIRS CABLES ARE RUN BETWEEN THE AUDIO/VIDEO CONTROL EQUIPMENT AND THE ASSOCIATED PROXIMITY ACCESS CONTROL SYSTEM. THIS IS TO ENABLE DOOR OPEN COMMANDS FROM THE AUDIO/VIDEO RELAY TO THE REQUEST TO EXIT (RTE) INPUT ON THE PROXIMITY ACCESS CONTROL SYSTEM.

1. IT IS VITAL THAT THE CLOSING RESISTANCES SHOWN ON THE DRAWING AS 120R ARE CONNECTED AS INDICATED.

2. THE TWISTED PAIRS MUST NOT BE UNTWISTED TO SIMPLY INSERTION INTO TERMINALS. KEEP THEM TWISTED TOGETHER ALL THE WAY INTO THE TERMINALS



BPT (UK) LTD.
HERTS. ENGLAND

PREPARED FOR
INSTALLER INFORMATION

DATE: 18/09/08

DRAWN: RC

REVISED:

DRAWING No: C-12V2Y12C(AUD)(A)

DRAWING TITLE: