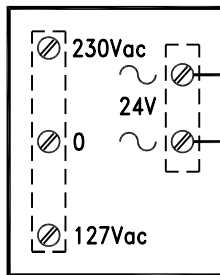


# VIDEOPHONE

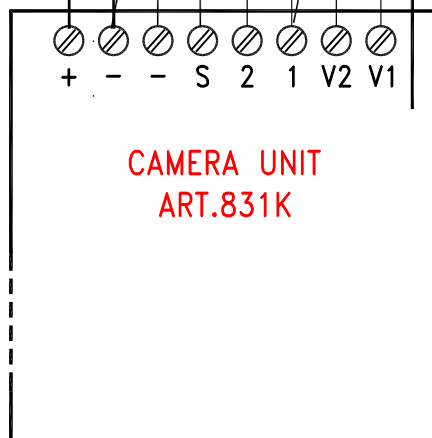
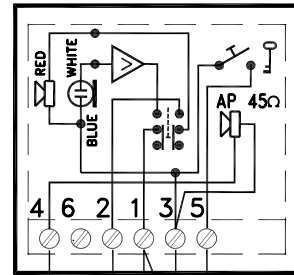
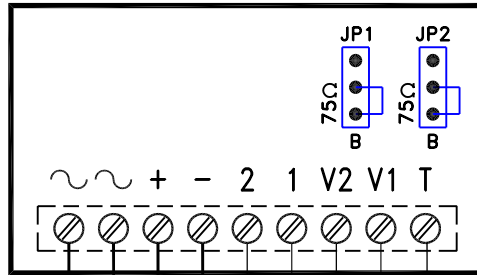
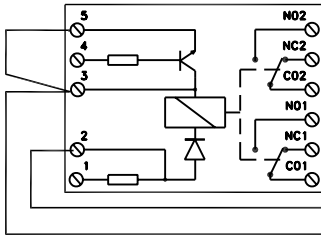
ART.901K

Art.924E

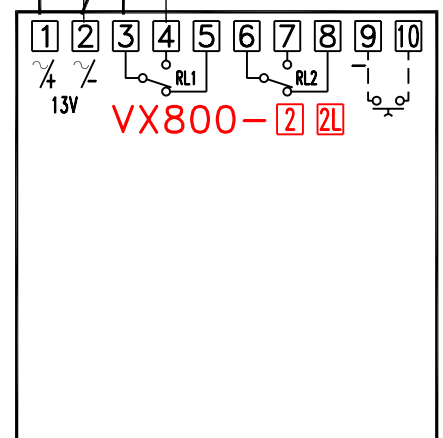
TRANSFORMER  
ART.850K



ART.506N



CAMERA UNIT  
ART.831K



VIDEX ELECTRONICS S.r.l.

DENOMINAZIONE: VIDEOKIT VK6 + ADDITIONAL HANDSET

COD.FILE: 25900156

DATA: 09/12/97