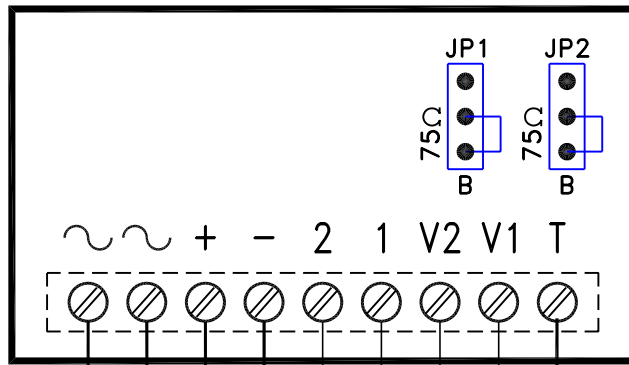
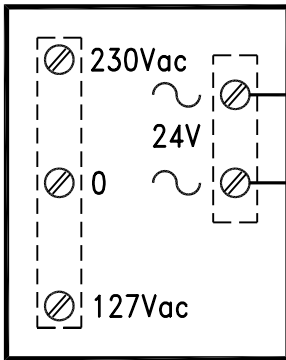


# VIDEOPHONE

ART.901K

TRANSFORMER  
ART.850K



NOTE : REMOVE CAPACITOR C2  
FROM THE STROBE PCB.

