

Installation Notes:

Cable Requirements
 Make connections as per diagram in order to avoid interference. CW1308 telephone cable is suitable for distances up to 200 metres.
 For longer cable runs you should increase the dimensions of the cores according to the chart.

Trm	Wire Function	metres	
		200	300
1	Loudspeaker	0.5	0.8
2	Microphone	0.5	0.8
6	Common -ve	0.8	1.0
9	Lock release	0.5	0.8
C7	Call tone	0.5	0.8

Diameter of conductors mm

Please Note
 Please make connections as shown in the diagram. TWO wires for terminal 6 of the telephone. White / Green & White / Blue are shown. This is intentional and should be followed for best results.

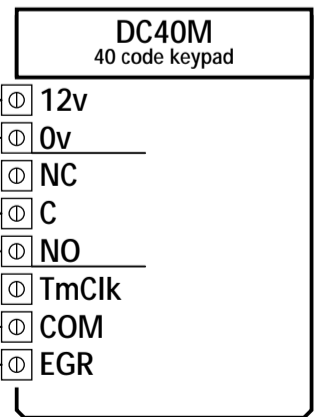
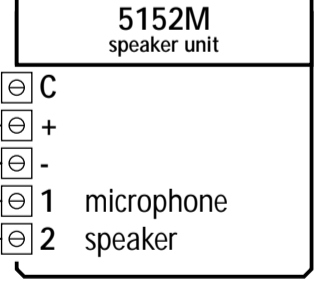
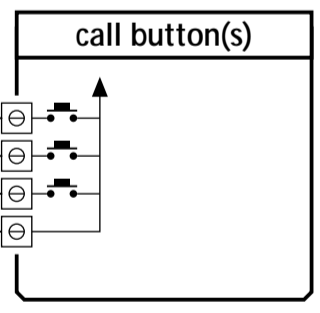
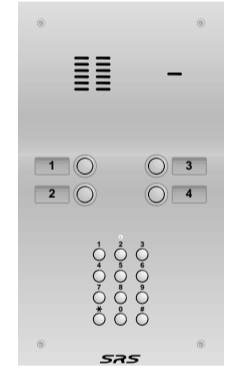
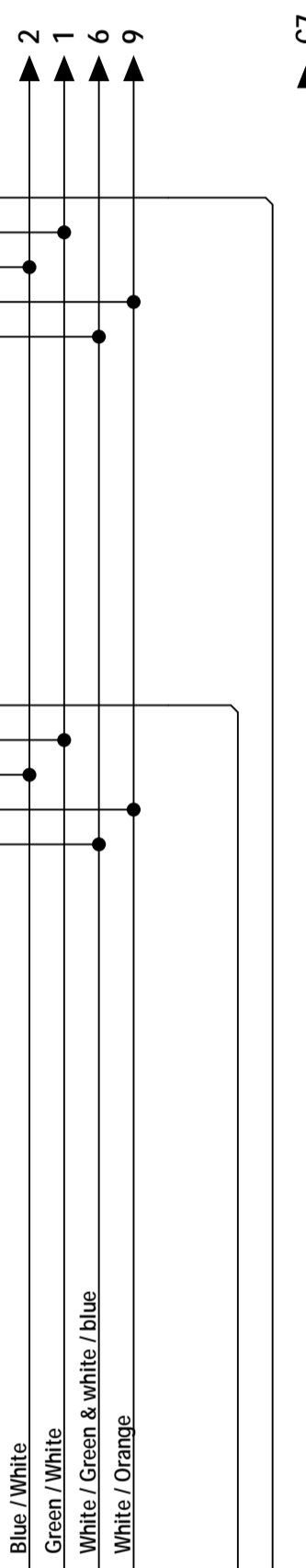
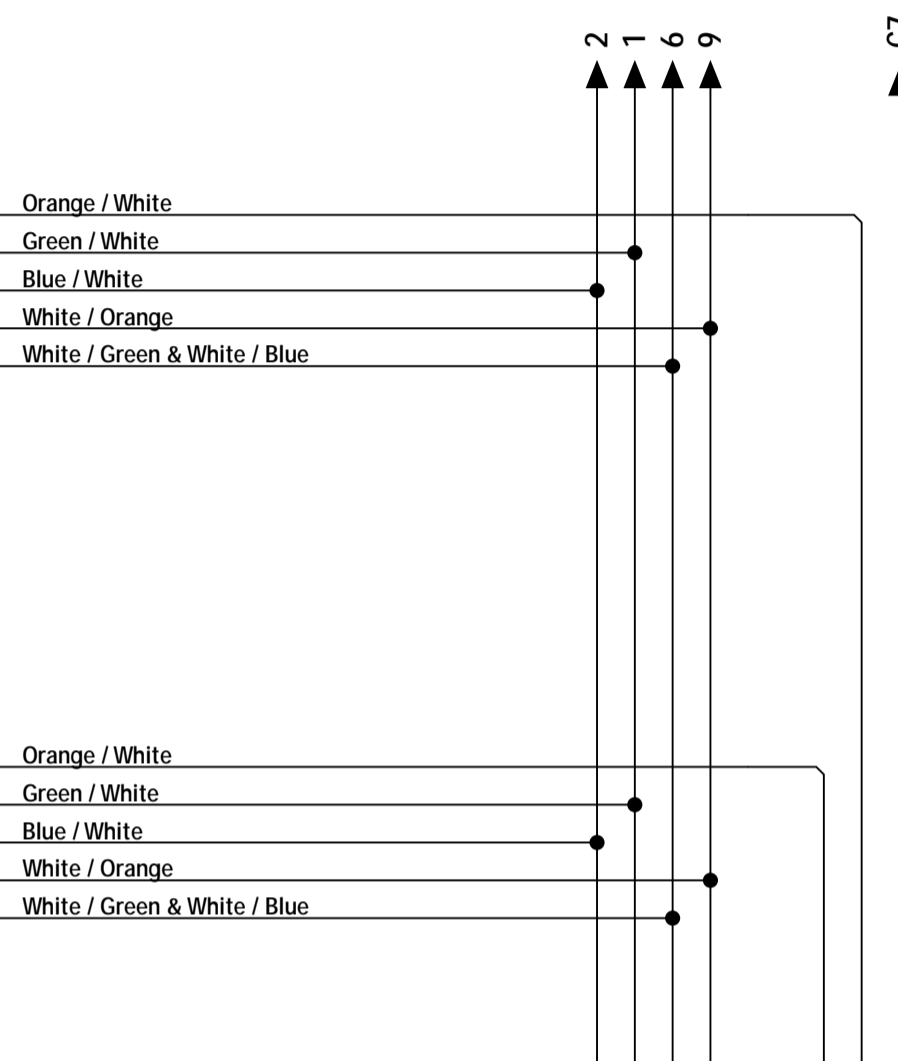
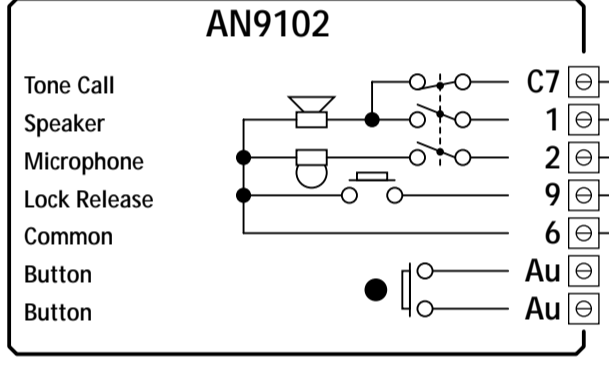
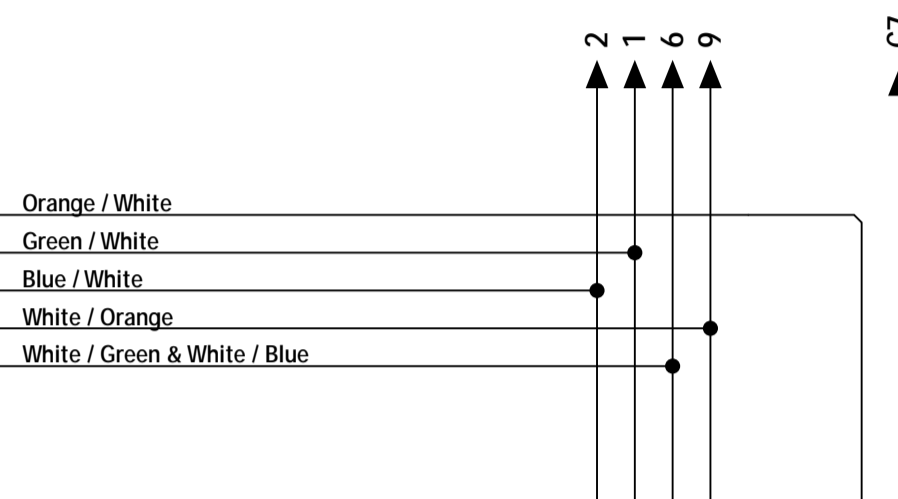
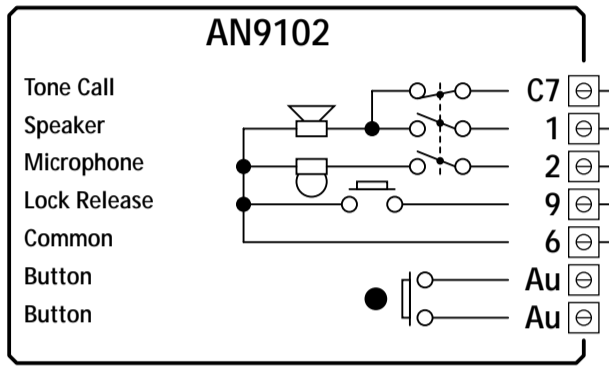
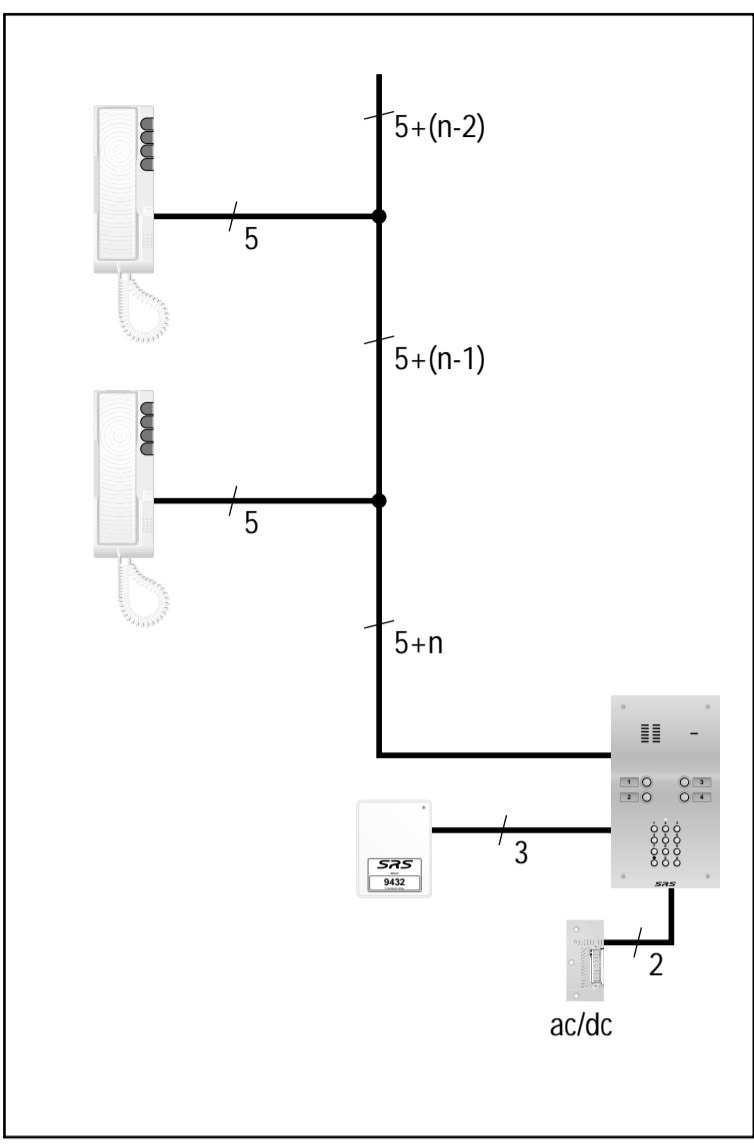
Locking Note
 The lock time is set by the keypad. Always fit the Transil (lock suppressor) supplied. You may connect fail open or fail locked locking without the need for additional relays.

Telephone
 You may call up to 3 telephones simultaneously. Alternative telephones are AN0002, AN7320, AN7577.

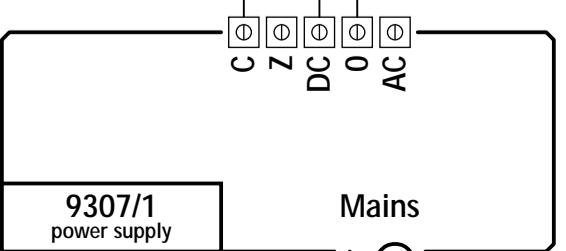
Spare button
 One push button is available for other functions (eg. opening a second lock) marked Au/Au. This is a push to make momentary switch.

Keypad
 The programmable keypad is built into the panel. The lock operating time is set by the timer in the keypad.

Trade Button
 Connect 'TRADE' button the same as 'Egress Button'. Add 5200 time clock in series if required.



Egress Button
 Push to Make



Locking Options		
connect common of relay to 0V	Power connection	Relay connection
12V AC fail locked	AC	N/O
12V DC fail locked	DC	N/O
12V DC fail open	DC	N/C

12V DC FAIL LOCKED
 illustrated with transil fitted