

# Installation Notes:

**Cable Requirements**  
 Make connections as per diagram in order to avoid interference. CW1308 telephone cable is suitable for distances up to 200 metres.  
 For longer cable runs you should increase the dimensions of the cores according to the chart.

Trm	Wire Function	200 metres	300 metres
1	Loudspeaker	0.5	0.8
2	Microphone	0.5	0.8
6	Common -ve	0.8	1.0
9	Lock release	0.5	0.8
C7	Call tone	0.5	0.8

Diameter of conductors mm

**Please Note**  
 Please make connections as shown in the diagram. TWO wires for terminal 6 of the telephone. White / Green & White / Blue are shown. This is intentional and should be followed for best results.

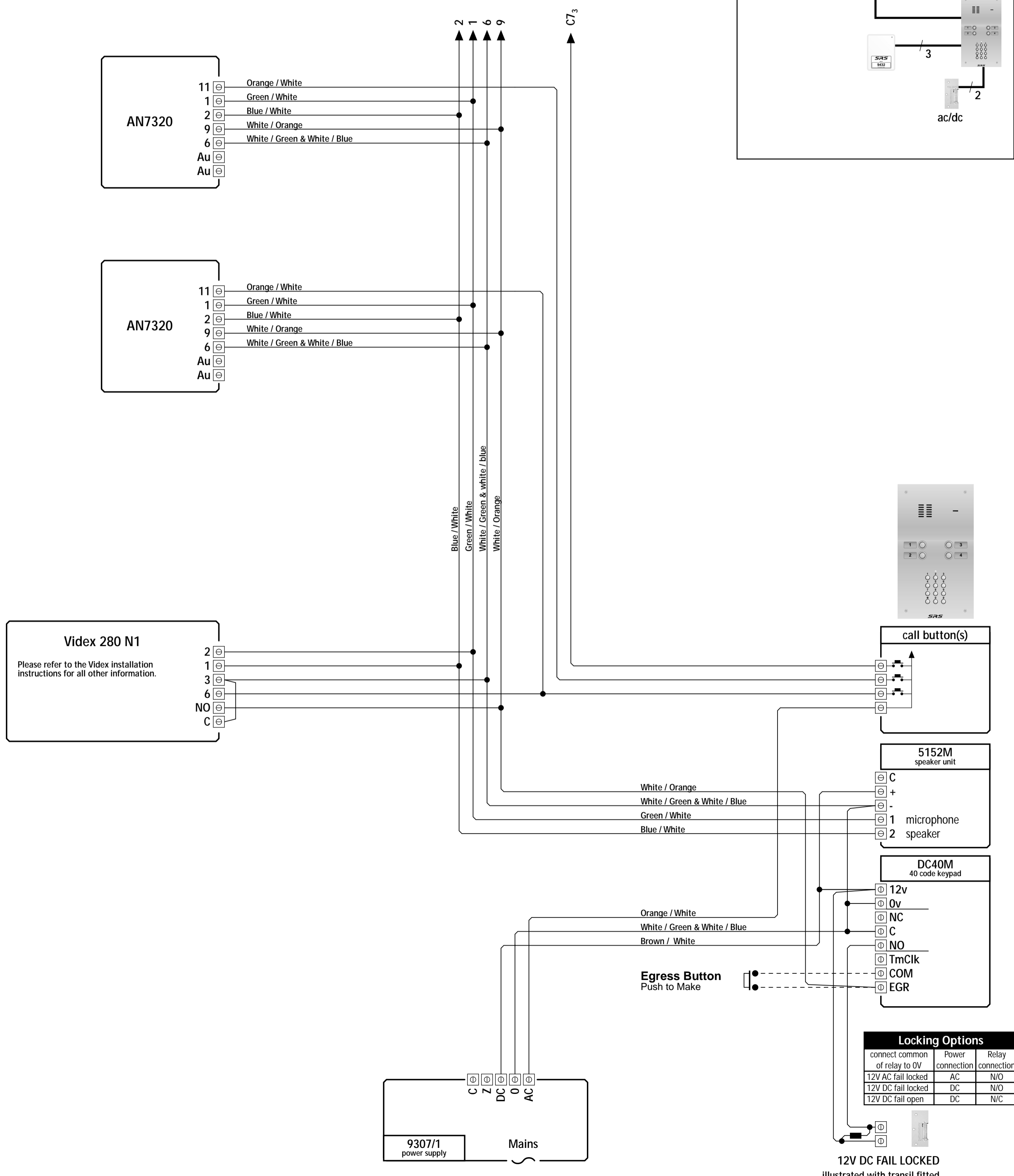
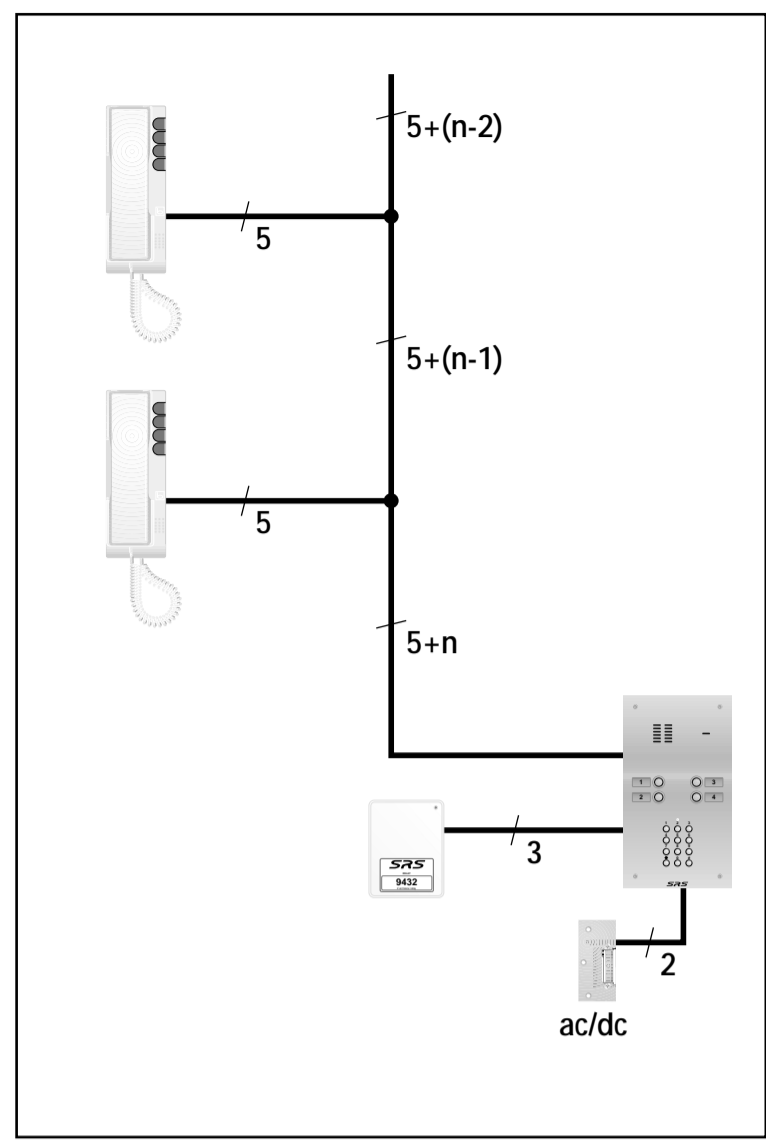
**Locking Note**  
 The lock time is set by the keypad. Always fit the Tranzil (lock suppressor) supplied. You may connect fail open or fail locked locking without the need for additional relays.

**Telephone**  
 You may call up to 3 telephones simultaneously. Alternative telephones are AN0002, AN7320, AN7577.

**Spare button**  
 One push button is available for other functions (eg. opening a second lock) marked Au/Au. This is a push to make momentary switch.

**Keypad**  
 The programmable keypad is built into the panel. The lock operating time is set by the timer in the keypad.

**Trade Button**  
 Connect 'TRADE' button the same as 'Egress Button'. Add 5200 time clock in series if required.



Locking Options		
connect common of relay to 0V	Power connection	Relay connection
12V AC fail locked	AC	N/O
12V DC fail locked	DC	N/O
12V DC fail open	DC	N/C

12V DC FAIL LOCKED  
 illustrated with tranzil fitted