

To other telephones detailed on page 2

Two entrance audio door entry system with 9007 power supply, calling 3/6 monitors.

Notes :

The power supply (9007) should be sited close to the relay (9432). Make sure cable is up to specification below.

Increasing the C.S.A or number of conductors for wire 6 and the call wire C7 will greatly increase the volume of the call tone at each handset.

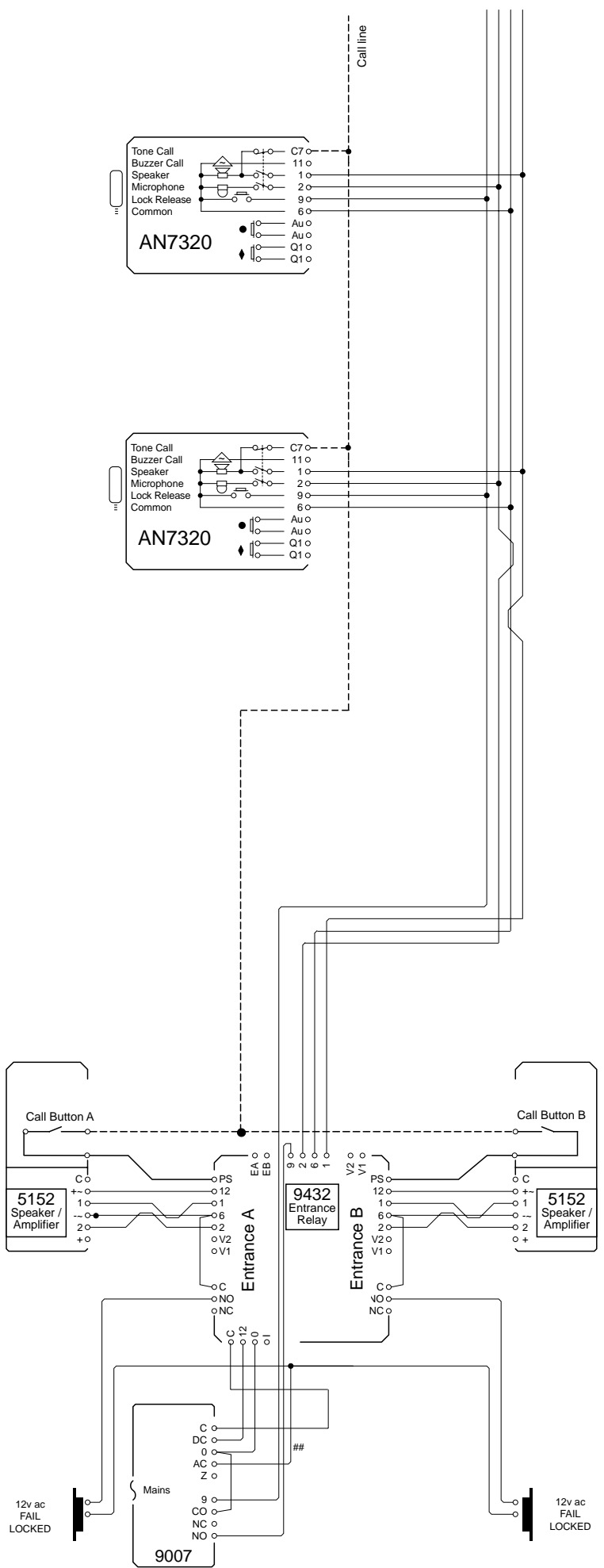
This is also dependant on the distance of cabling.

Cable requirements :

The use of twisted paired telephone cable is recommended. Ideally connect 1 & 6 as a pair and 2 & 6 as a pair. This helps protect the speech wire from interference. Connect ALL spare wires to negative.

Wire	Distance (m)			
	50	100	200	300
1 Loudspeaker	0.3	0.5	0.8	1.6
2 Microphone	0.3	0.5	0.8	1.6
6 Common -ve	0.5	0.8	1.0	1.6
9 Lock release	0.5	0.8	1.0	1.6
C7 Call Tone	0.3	0.5	0.8	1.6

Cross sectional area of conductors mm²



Locking Device Options

For ALL 12v dc locks move link ## between "lock" & DC.

For FAIL LOCKED use NO
For FAIL UNLOCKED use NC

	12v dc FAIL UNLOCKED	12v dc FAIL LOCKED
9007 DC		9007 DC
9432 NC		9432 NO

Two entrance audio door entry system with 9007 power supply, calling 3/6 monitors.

Notes :

The power supply (9007) should be sited close to the relay (9432). Make sure cable is up to specification below.

Increasing the C.S.A or number of conductors for wire 6 and the call wire C7 will greatly increase the volume of the call tone at each handset.

This is also dependant on the distance of cabling.

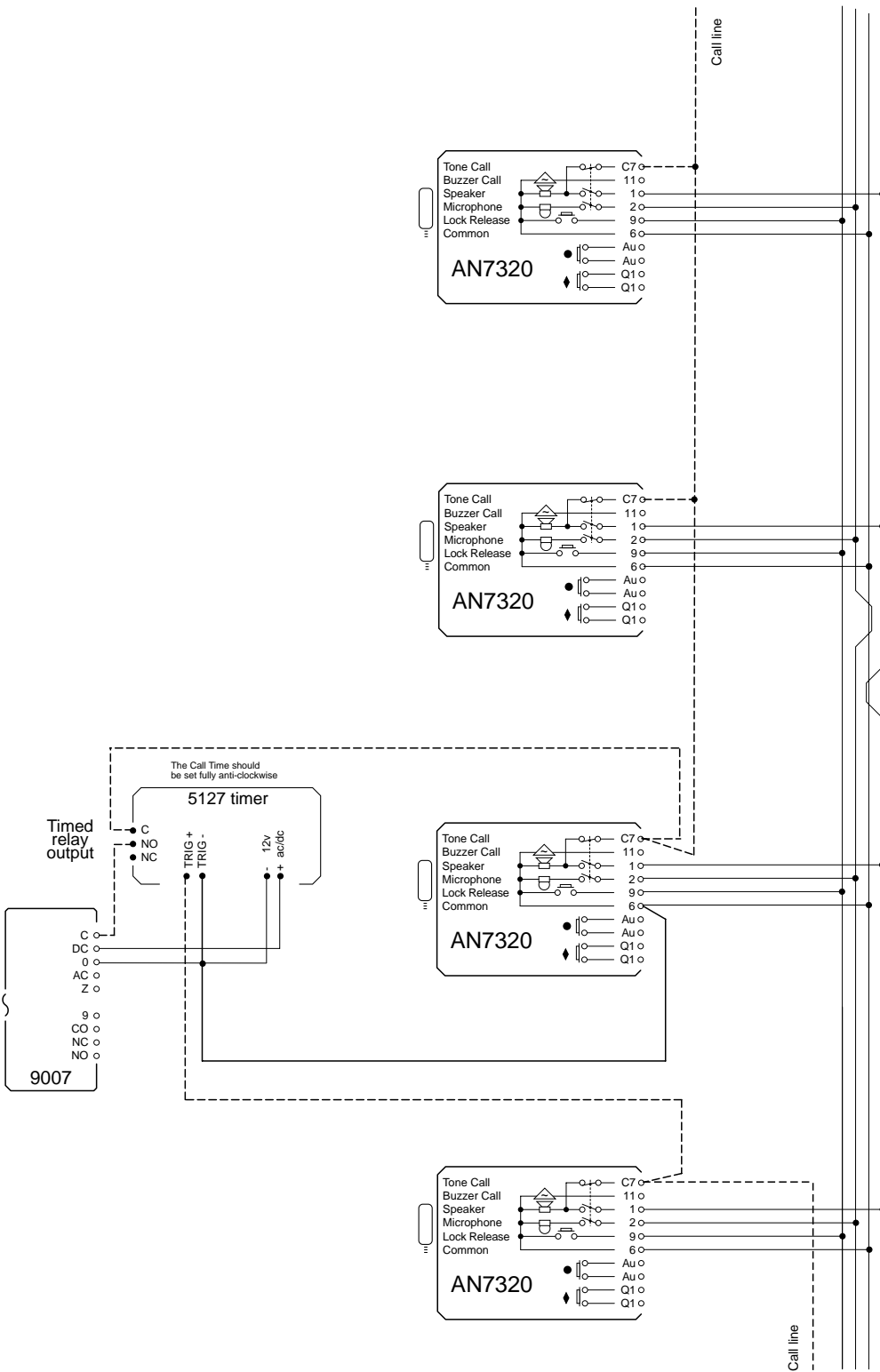
Cable requirements :

The use of twisted paired telephone cable is recommended. Ideally connect 1 & 6 as a pair and 2 & 6 as a pair. This helps protect the speech wire from interference. Connect ALL spare wires to negative.

Wire	RefFunction	Distance (m)	50	100	200	300
1	Loudspeaker	0.3	0.5	0.8	1.6	
2	Microphone	0.3	0.5	0.8	1.6	
6	Common -ve	0.5	0.8	1.0	1.6	
9	Lock release	0.5	0.8	1.0	1.6	
C7	Call Tone	0.3	0.5	0.8	1.6	

Cross sectional area of conductors mm²

More like this page



From other telephones detailed on page 1