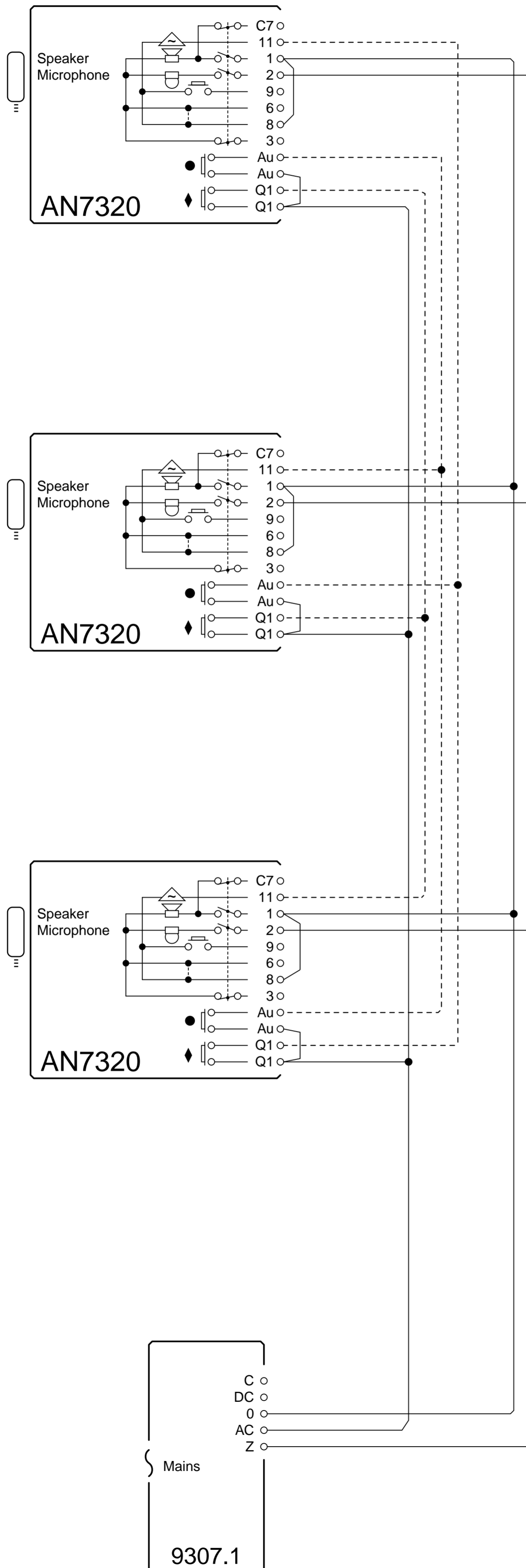


20070411



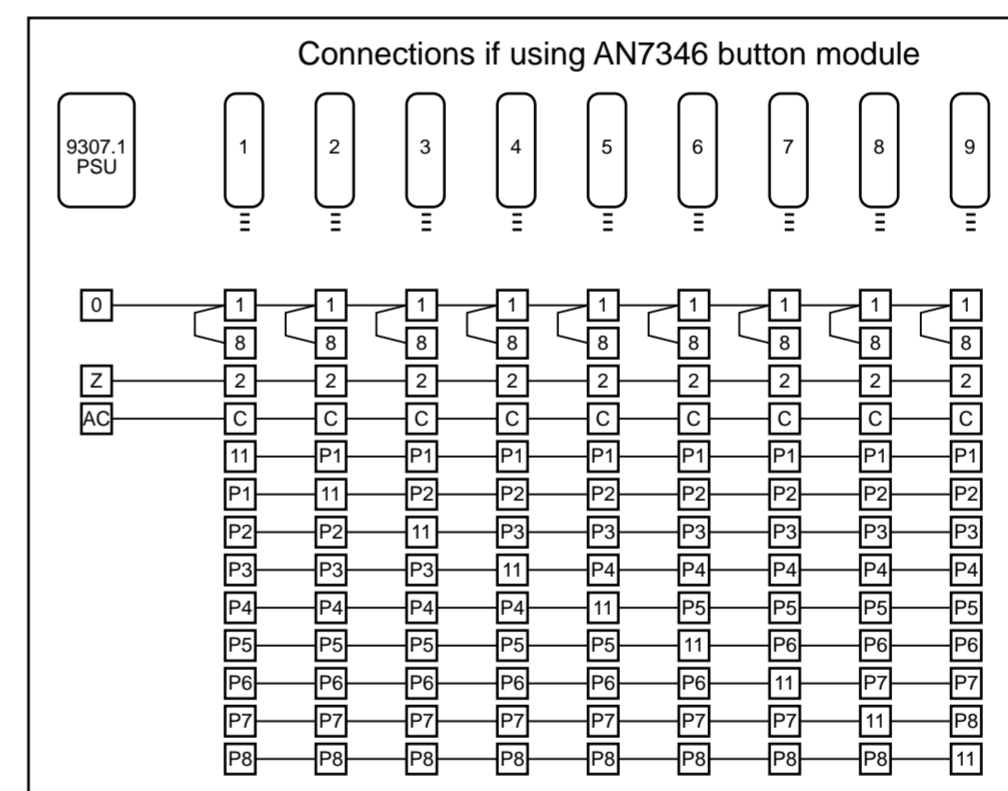
1D_3H0EA
 Intercom between phones,
 AC Buzzer Call.

Cable requirements :
 The use of twisted paired telephone cable is recommended. In order to protect the Audio Wires (1 & 2) from induced noise from the call wires in the same cable, always use 1 pair for wire '1' and a pair for wire '2'. Connect the spare mutual twisted wire to 0Volts on the PSU.

Make connections as per diagram in order to avoid interference.

Wire	Distance (m)	50	100	200	300
1 Loudspeaker		0.5	0.8	1.0	1.6
2 Microphone		0.5	0.8	1.0	1.6
Call wires		0.5	0.8	1.0	1.6

Cross sectional area of conductors mm²



CUT LINK ON ALL PHONES

