

TO FURTHER MONITORS AND
VAV400P'S AS REQUIRED

75 Ohm

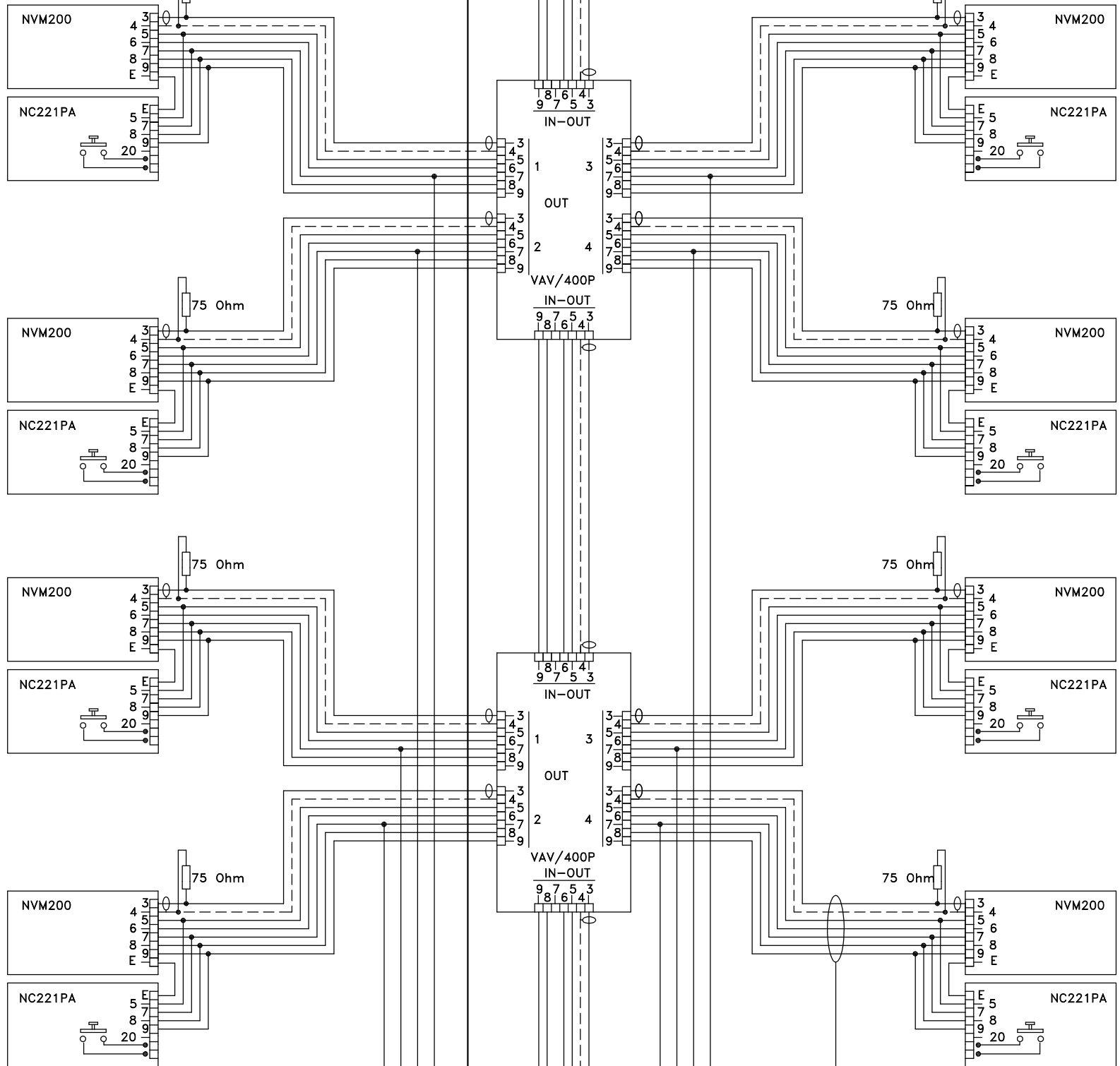
ENSURE LAST VAV/400P IN/OUT
BLOCK HAS A 75 Ohm RESISTOR
FITTED ACROSS TERMINALS 3 & 4.

CALL LINES TO FURTHER
MONITORS

98 6543

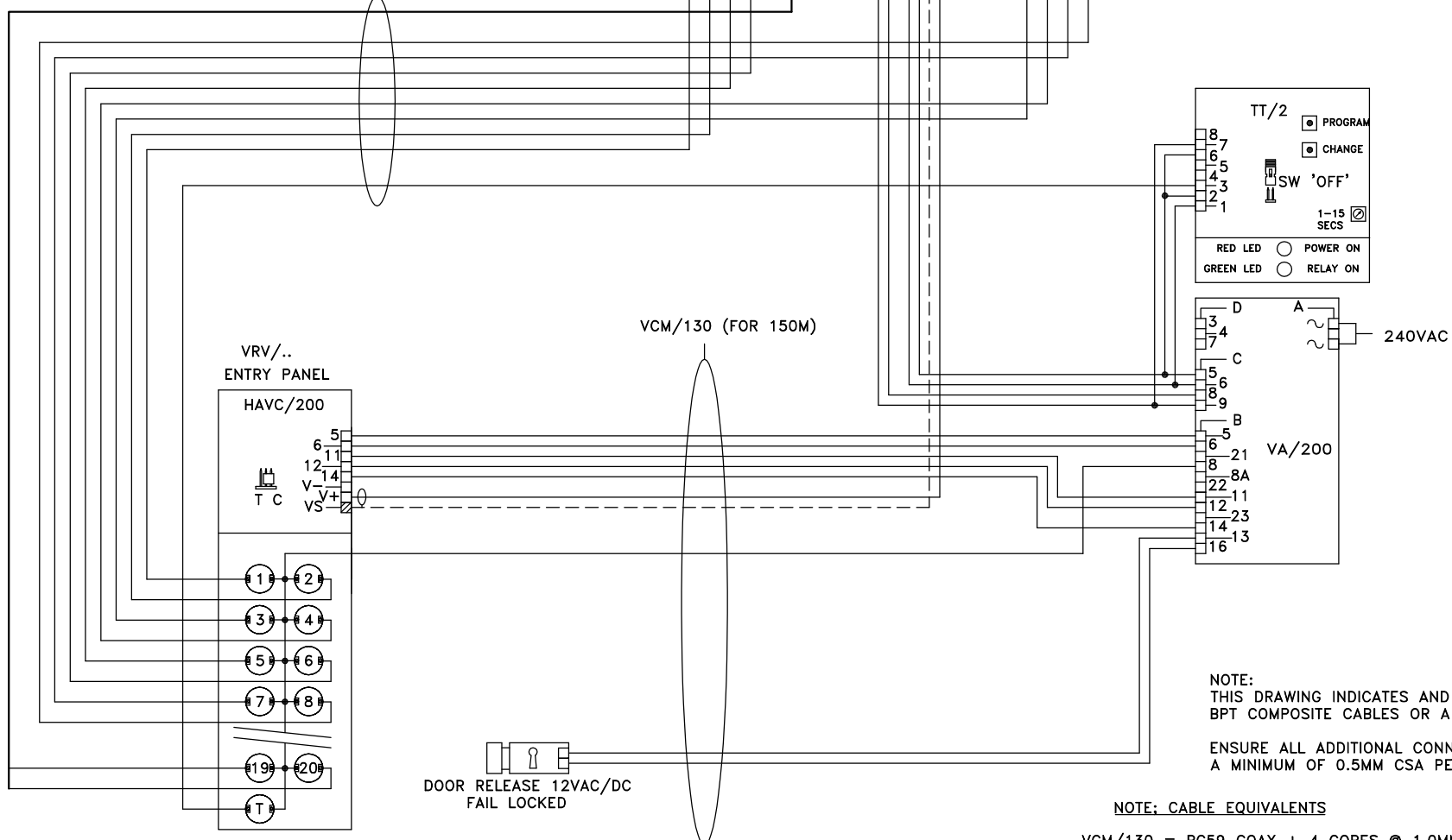
VCM/60

75 Ohm



1 CORE @ 0.5MMSQ PER
CALL BUTTON ON PANEL.

VCM/60 (FOR 50M)



VCM/130 (FOR 150M)

NOTE:
THIS DRAWING INDICATES AND ASSUMES THE USE OF
BPT COMPOSITE CABLES OR A SUITABLE EQUIVALENT.

ENSURE ALL ADDITIONAL CONNECTIONS ARE
A MINIMUM OF 0.5MM CSA PER CORE.

NOTE: CABLE EQUIVALENTS

VCM/130 = RG59 COAX + 4 CORES @ 1.0MMSQ + 8 CORES @ 0.5MMSQ
VCM/60 = RG59 COAX + 2 CORES @ 1.0MMSQ + 3 CORES @ 0.5MMSQ

BPT (UK) LTD.
HERTS. ENGLAND

PREPARED FOR
INSTALLER INFORMATION

DATE: 06/08/03

DRAWN: RC

REVISED:

DRAWING TITLE:

MULTI-FLAT INSTALLATION USING 1 VR VIDEO PANEL AND NOVA MONITORS
WITH TRADES TIMER

DRAWING No: B-NV1NNLTT