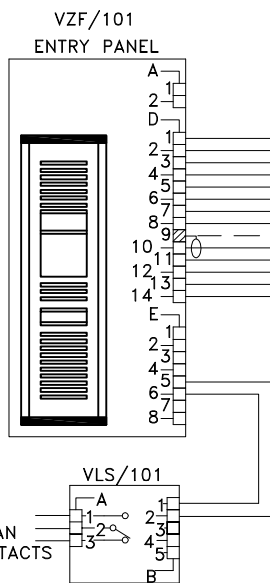
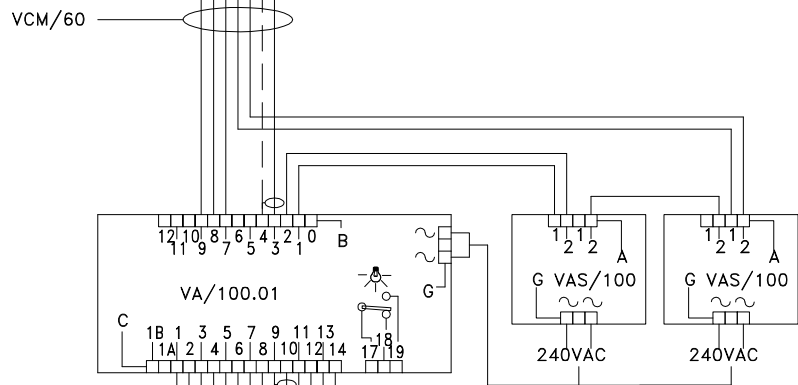


ENSURE SW3 'ON'
ON THIS MONITOR ONLY.

NOTE:
THIS DRAWING INDICATES AND ASSUMES THE USE OF
BPT COMPOSITE CABLES OR A SUITABLE EQUIVALENT.

ENSURE ALL ADDITIONAL CONNECTIONS ARE
A MINIMUM OF 0.5MM CSA PER CORE.



VCM/130 (FOR 150M)

NOTE; CABLE EQUIVALENTS

VCM/130 = RG59 COAX + 4 CORES @ 1.0MMSQ + 8 CORES @ 0.5MMSQ

VCM/60 = RG59 COAX + 2 CORES @ 1.0MMSQ + 3 CORES @ 0.5MMSQ

BPT (UK) LTD.
HERTS. ENGLAND

PREPARED FOR
INSTALLER INFORMATION

DATE: 15/03/04 | DRAWN:RC

REVISED:

DRAWING TITLE:

1 X 1 BUTTON VZ F VIDEO ENTRY PANEL
& 2 VM/100 MONITORS

DRAWING No: A-1Z1V2C