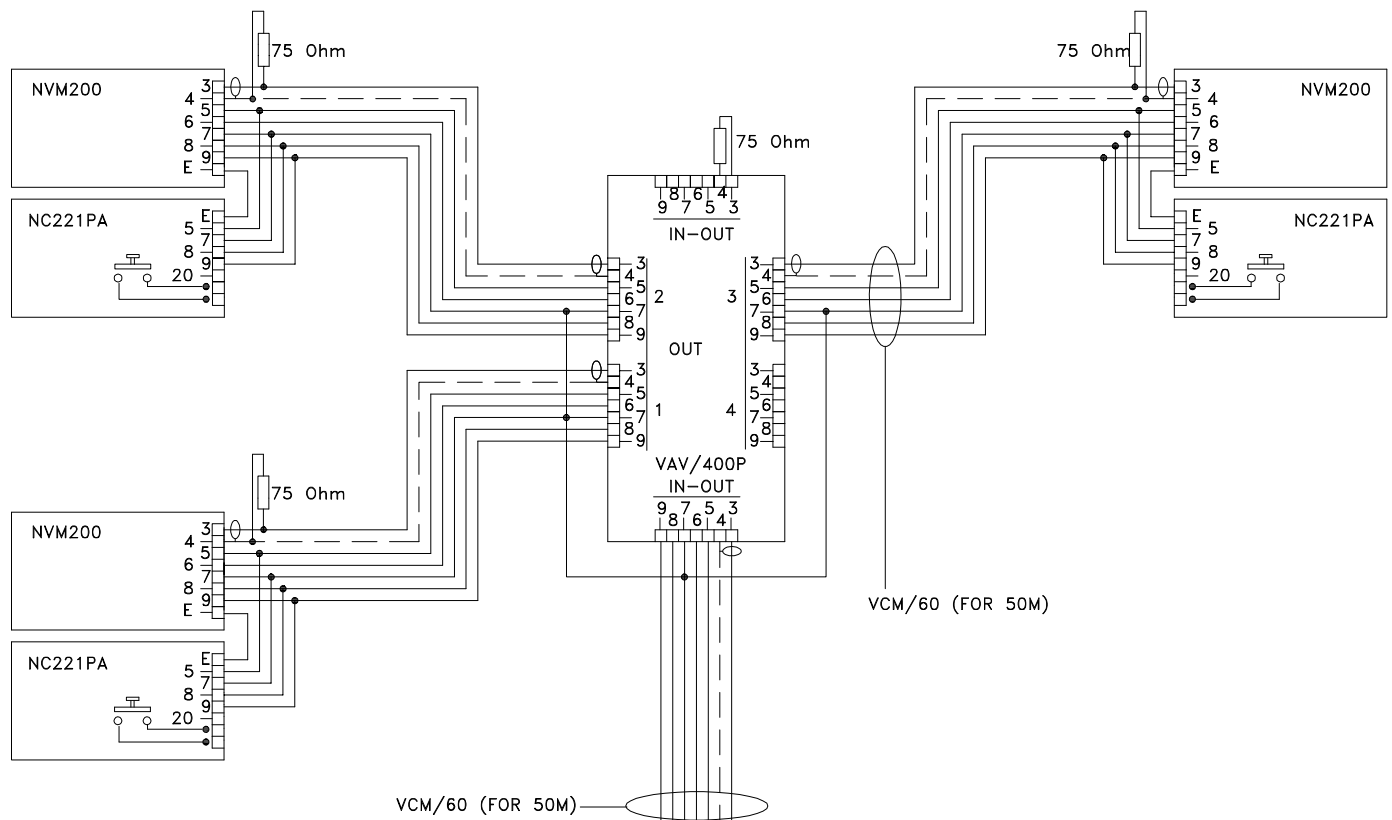


NOTE: CABLE EQUIVALENTS

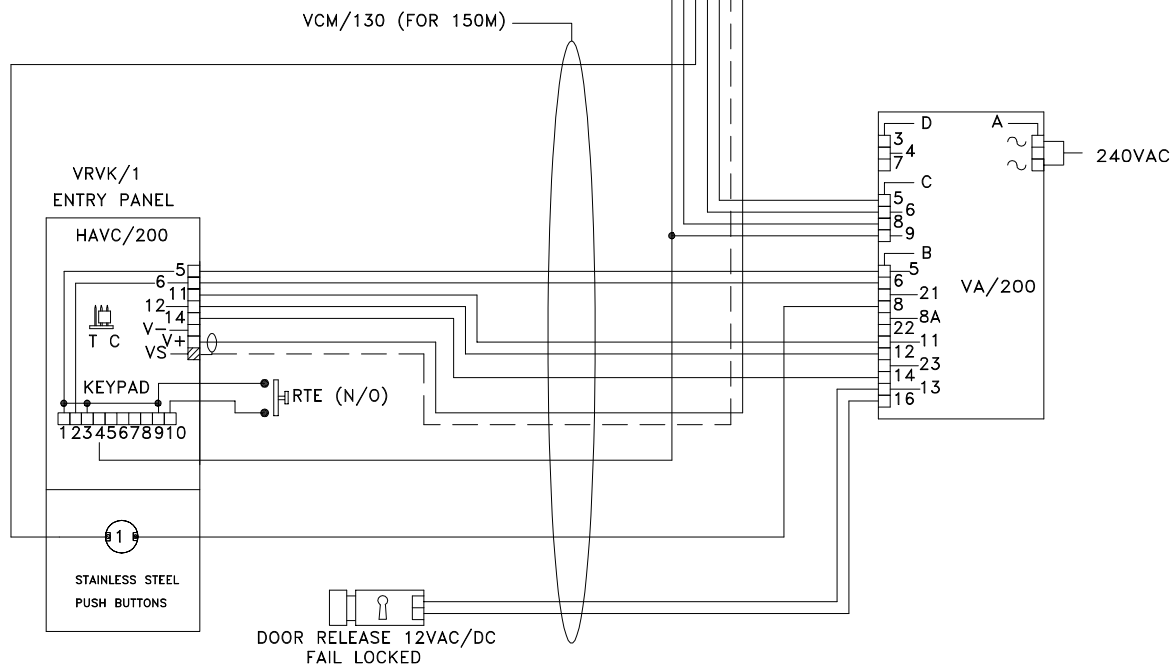
VCM/130 = RG59 COAX + 4 CORES @ 1.0MMSQ + 8 CORES @ 0.5MMSQ

VCM/60 = RG59 COAX + 2 CORES @ 1.0MMSQ + 3 CORES @ 0.5MMSQ



NOTE:
THIS DRAWING INDICATES AND ASSUMES THE USE OF
BPT COMPOSITE CABLES OR A SUITABLE EQUIVALENT.

ENSURE ALL ADDITIONAL CONNECTIONS ARE
A MINIMUM OF 0.5MM CSA PER CORE.



BPT (UK) LTD. HERTS. ENGLAND	PREPARED FOR INSTALLER INFORMATION	DATE: 19/02/08	DRAWN: RC
		REVISED:	
DRAWING TITLE:	1 X 1 BUTTON VR OR BRASS VIDEO ENTRY PANEL WITH KEYPAD & 3 NOVA MONITORS	DRAWING No: B-1V1N3LK(B)	