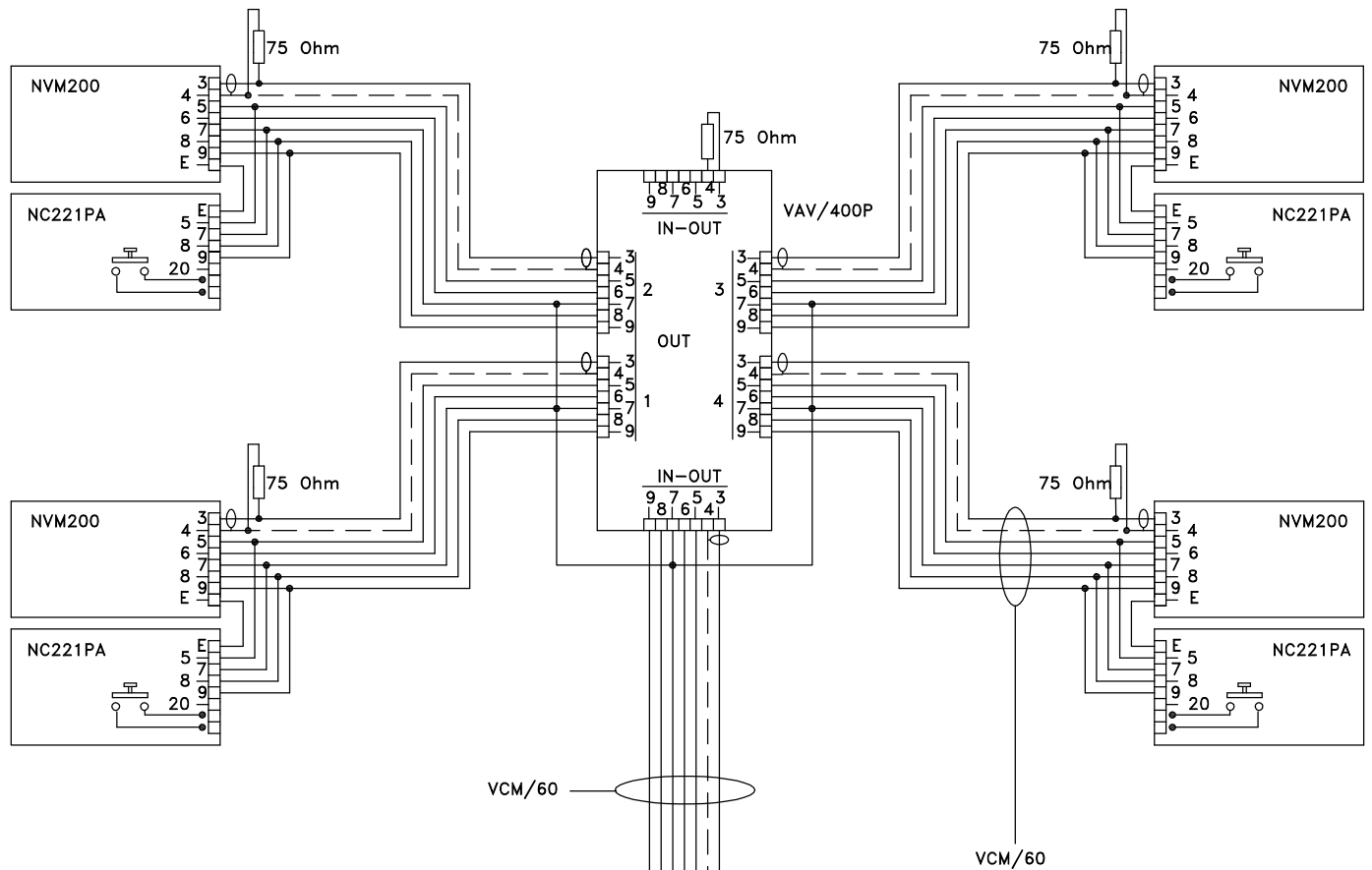


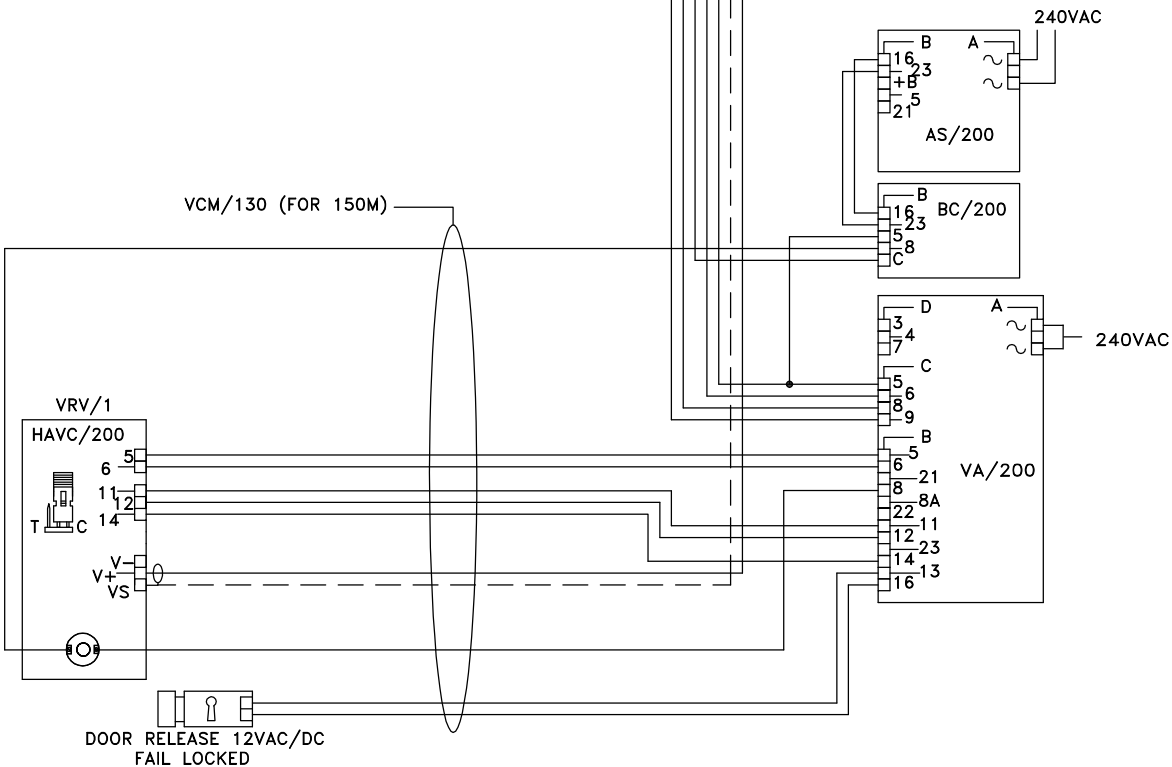
NOTE: CABLE EQUIVALENTS

VCM/130 = RG59 COAX + 4 CORES @ 1.0MMSQ + 8 CORES @ 0.5MMSQ  
 VCM/60 = RG59 COAX + 2 CORES @ 1.0MMSQ + 3 CORES @ 0.5MMSQ



NOTE:  
 THIS DRAWING INDICATES AND ASSUMES THE USE OF  
 BPT COMPOSITE CABLES OR A SUITABLE EQUIVALENT.

ENSURE ALL ADDITIONAL CONNECTIONS ARE  
 A MINIMUM OF 0.5MM CSA PER CORE.



BPT (UK) LTD. HERTS. ENGLAND	PREPARED FOR INSTALLER INFORMATION	DATE: 07/07/03	DRAWN: RC
		REVISED:	
DRAWING TITLE:	SINGLE HOUSE INSTALLATION USING 1 VR VIDEO ENTRY PANEL WITH 4 NOVA MONITORS	DRAWING No: B-1V1N4L	