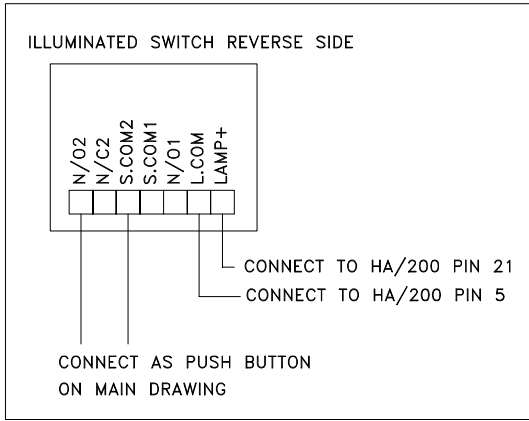
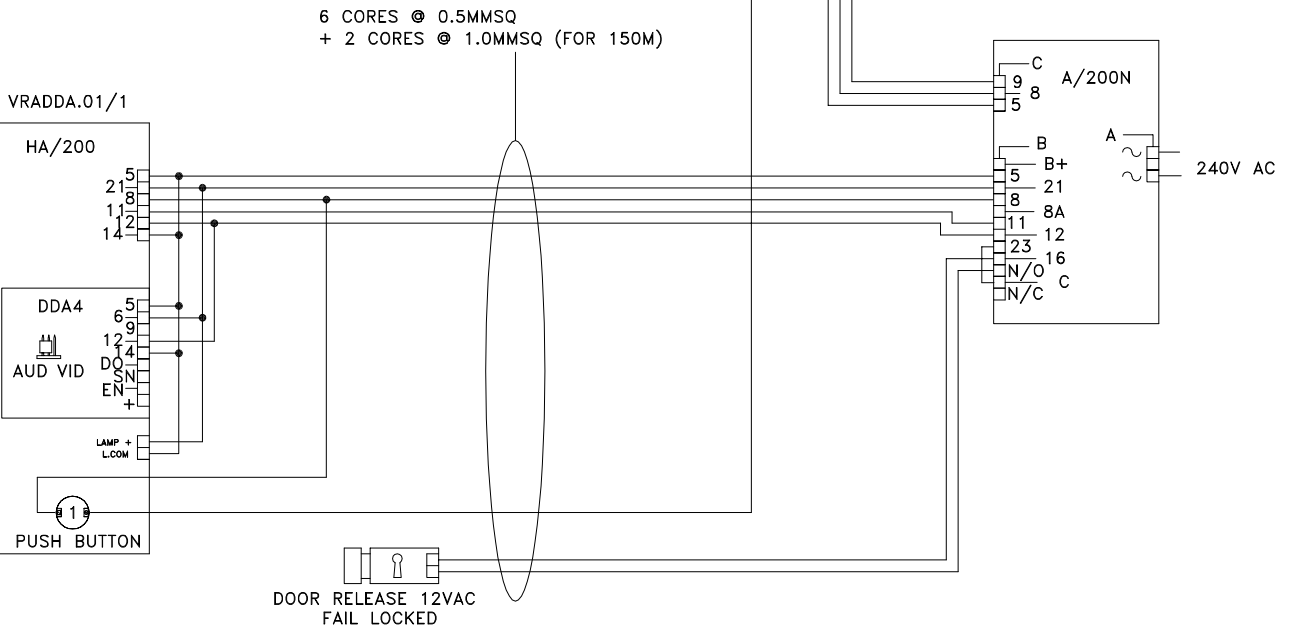


NOTE:
THIS DRAWING INDICATES AND ASSUMES THE USE OF
A MINIMUM OF 0.5MM CSA PER CORE.



4 CORES @ 0.5MMSQ (FOR 100M)

YC/200UK



| | | | |
|---------------------------------|---|--------------------------|----------|
| BPT (UK) LTD. HERTS. ENGLAND | PREPARED FOR INSTALLER INFORMATION | DATE: 13/01/10 | DRAWN:RC |
| | | REVISED: | |
| DRAWING TITLE: | 1 BUTTON VRADDA.01/1 SINGLE HEIGHT DDA AUDIO ENTRY PANEL CALLING 1 LYNEA HANDSET | DRAWING No: E-1V1Y1LDDA4 | |