

# TB25 Drop Bolt

## General Description

The TB25 range of drop bolts represent true engineering innovation, design excellence and the superior quality customers have come to expect and demand from Trimec®. Designed for use on swing-through, double action doors, these drop bolts are ideal for applications where an electric strike is impractical.

## Key Features

- High Security. Bolt is deadlocked in the extended position
- Bolt position monitored
- Door position monitor with integrated magnet into the strike plate (no need to install a separate reed switch)
- Multiple orientation, drop bolts will work horizontally or vertically
- Power to Lock/ Power to Open
- Continuously Rated Solenoid
- Tamper Proof. Lock cannot be defeated by slipping a metal object between lock and striker plate
- Intelligent Electronics. These intelligent bolts will attempt to re-close the bolt 8 times, allowing time for swing through doors to settle in the closed position
- Thermal Protection. In the event of solenoid overheat, a thermal fuse will operate, eliminating any fire risk

## Applications

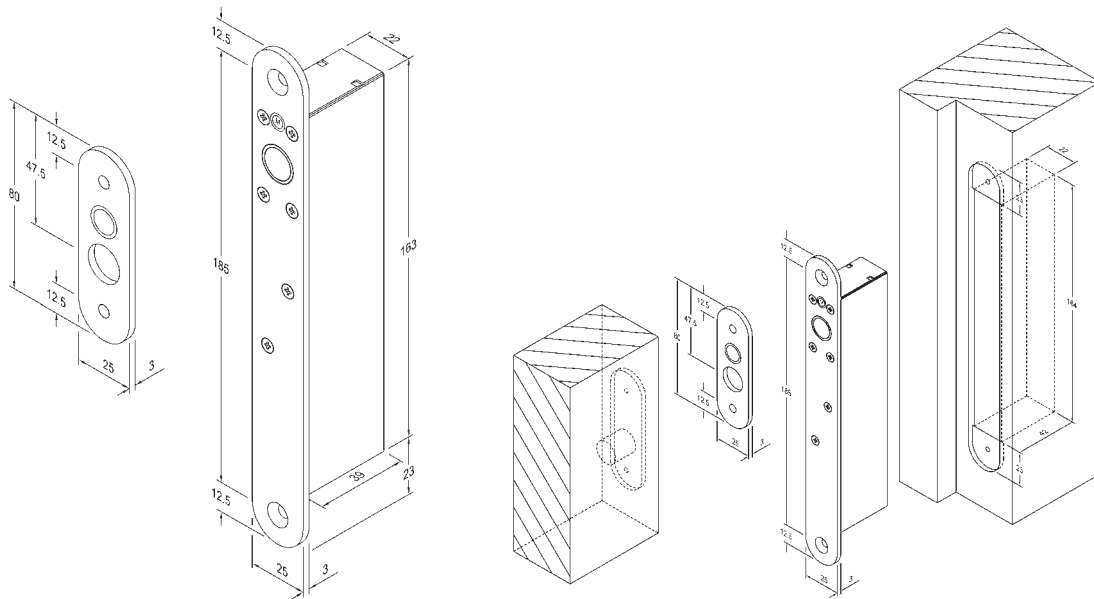
- Glass doors
- Timer Doors



## Standards and Compliance

CE CE Approved

# TB25 Drop Bolt



## TB25 Drop Bolt Technical Information

<b>Voltage</b>	12 or 24Vdc
<b>Current (Start)</b>	1100mA @ 12V, 1000mA @ 24V
<b>Current (Holding)</b>	210mA @ 12V, 90mA @ 24V
<b>Holding Force</b>	1000kg
<b>Locking Mode</b>	PTL & PTO
<b>Dimensions (Mortice)</b>	164 x 22mm
<b>Bolt Length</b>	12.7 x 16mm
<b>Faceplate Size</b>	10 x 25mm
<b>Monitoring Contacts</b>	Bolt & Door

## Specification Statement

The bolt must be able to operate in horizontal and vertical orientations. The position of the bolt must be monitored as well as have an integrated reed switch for door position monitoring. The electronic functions must include: 8 x lock and unlock attempts, 8 second unlock delay, automatic relock after 8 seconds, power reduction circuitry to limit the holding current, and a one time thermal fuse cut-out in case of solenoid overheating. Locking function can be converted from Power to Lock (PTL) to Power to Open (PTO). The faceplate and strike plate must be finished in stainless steel.

## Ordering Information

SKU	Short Code	Description
188251-010	TRIMEC TB25SQ.PTL DROPBOLT	12-24V DC round corner faceplate
188251-020	TRIMEC TB25SQS.PTL DROPBOLT	12-24V DC square corner faceplate
188252-010	TRIMEC TB25SQ.PTO DROPBOLT	12-24V DC round corner faceplate
188252-020	TRIMEC TB25SQS.PTO DROPBOLT	12-24V DC square corner faceplate
<b>Accessories</b>		
228250-000	EB25 SS SHORT STRIKE PLATE RH	
228250-002	EB25 SS LONG STRIKE PLATE RH	
228250-003	EB25 SS HOUSING (843-4--35)	
228250-004	EB25 SS DRESS PLATE	
TB25-DPK	TRIMEC TB25 DRESS PLATE KIT	
TB25-SMHK	TRIMEC TB25 SURFACE MOUNT KIT	