



Statement

The fail-safe Electromagnetic Lock design with no mechanical parts but magnetic force to secure and release the doors, suitable for use in areas which required access controlled or egress such as exit door.

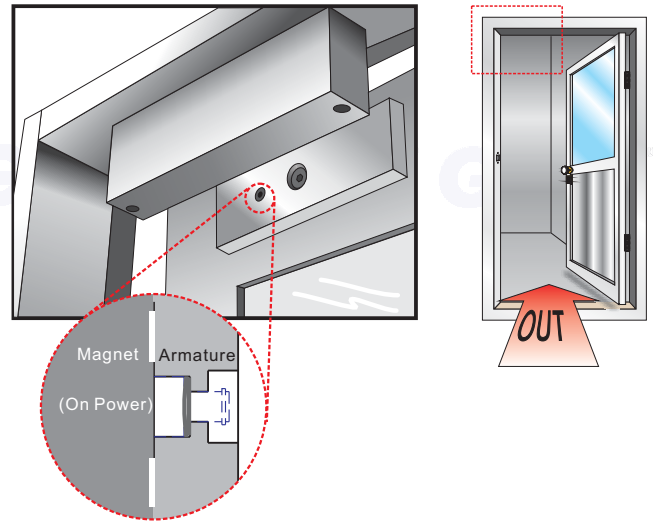
The Electromagnetic Locks are totally sealed in an epoxy filled stainless steel case for water-resistant and vandal-resistant purpose. A threaded conduit fitting ensures weather resistant protection of the wiring therefore it is ideal for indoor and outdoor applications, even in severe weather.

We offers up to 800 pounds holding force with 12V DC power input (24V DC or 12/24V DC dual input voltage available by special order), and it can be applied with access control, and with the full range of optional brackets, it can be installed on all type of door frames such as Hollow, Wooden door. It is the best choice for electronic security industry and system integrators.

Specifications

- Voltage Tolerance: 15%
- Current Draw: 340mA@12Vdc (at temperature 20C)
(Further notice for diverse input voltage on special order requirement)
- Magnetic bond sensor monitor output (10006S-R) (SPDT rated 0.25A@12V DC), remotely monitors the door lock or unlock status. (N.C. Output--Door opened; N.O. Output--Door closed)
- Operating Temperature: -10~55C (14~131F)
- Humidity: 0~95% non-condensing.
- Lock's surface Temperature (when the power is on): current temperature +20C)
- Holding Force: Up to 800 lbs)363 Kg(
- Dimensions:
Magnet:(L) 216, (W) 52, (D) 30 mm
Armature Plate:(L) 185, (W) 45, (D) 14 mm
- Special Finishes for magnet and armature plate: Zinc
- Epoxy Potting Compound: E87252 (S), UL94V-0
- Weight)Approx.(: 3.0 Kg

Regular Installation



Unique Anti-Residual design

When the power is switched off, the holding force will be discontinuity and the bolt was installed in armature will pop



This series of Waterproof Magnetic Lock is made with epoxy potting compound and is protected by this compound. Also, GEM Waterproof Series Magnetic Locks have been proved to have withstood a water resistance as established in accordance with the test procedures of IPX7, IPX8 through a trusted third party. Therefore users need not worry that the lock will be rusted or sparked, if the lock is using in outdoor applications and installing in confined space where any inflammable gas.

Warranty

The product is warranted against defects in material and workmanship while used in normal service for a period of 5 year from the date of sale to the original customer. The GEM policy is one of continual development and improvement; therefore GEM reserves the right to change specifications without notice.

GIANNI INDUSTRIES, INC.

No. 13, Zhong Sing Road, Tu-Cheng Industrial Zone,
Tu-Cheng City, Taipei, Taiwan 23678
Tel: 886-2 2267 7986 / Fax: 886-2 2267 9876
E-Mail: info@gianni.com.tw
Website: gianni.tw
Copyright 2008 Gianni industries, inc. All rights reserved.
DM-CA-10006S Ver. C Published on 2008.05.12



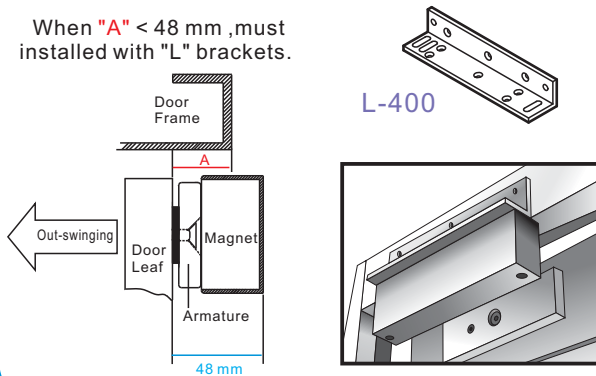
The products are manufactured under an ISO 9001 & QC 080000 Certified Quality Management Program environment back its product quality, performance and commitment to customer satisfaction.

Optional Brackets

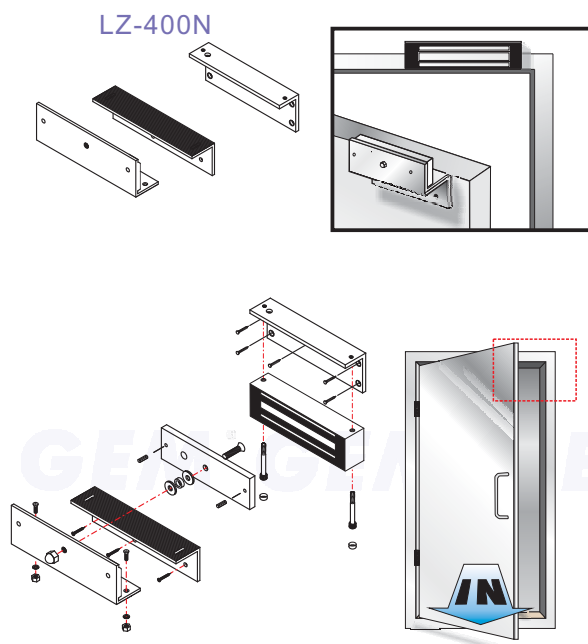
The door swinging direction and the door frame header are used to determine whether the bracket is required and this identify is a measure of which brackets is suitable. Our optional brackets include L-bracket, LZ-bracket and U-bracket.

With L-bracket for narrow door frames

When "A" < 48 mm, must installed with "L" brackets.



With LZ-bracket for in-swinging doors



GIANNI INDUSTRIES, INC.

No. 13, Zhong Sing Road, Tu-Cheng Industrial Zone,
 Tu-Cheng City, Taipei, Taiwan 23678
 Tel: 886-2 2267 7986 / Fax: 886-2 2267 9876
 E-Mail: info@gianni.com.tw
 Website: gianni.tw
 Copyright 2008 Gianni industries, inc. All rights reserved.
 DM-CA-10006S Ver. C Published on 2008.05.12



The products are manufactured under an ISO 9001 & QC 080000 Certified Quality Management Program environment back its product quality, performance and commitment to customer satisfaction.