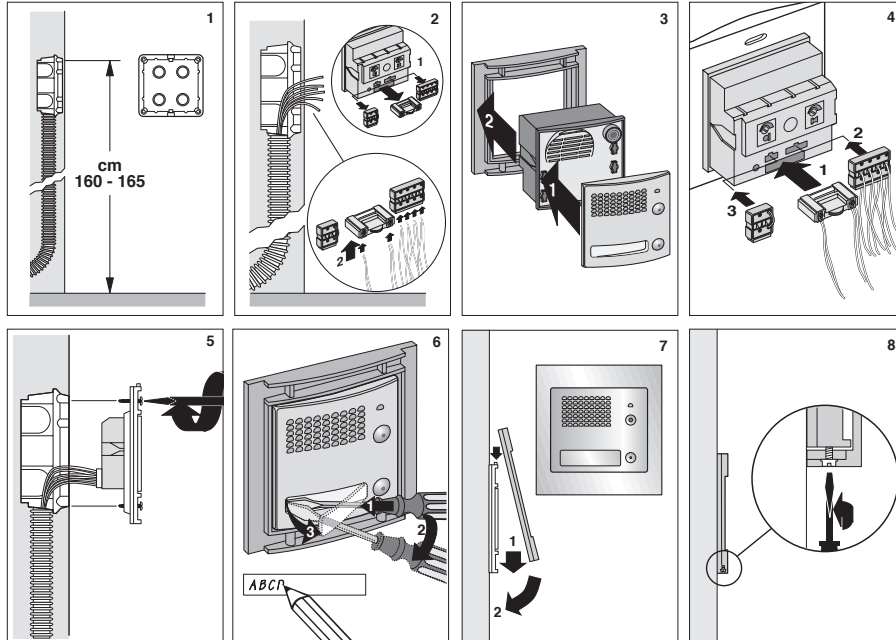


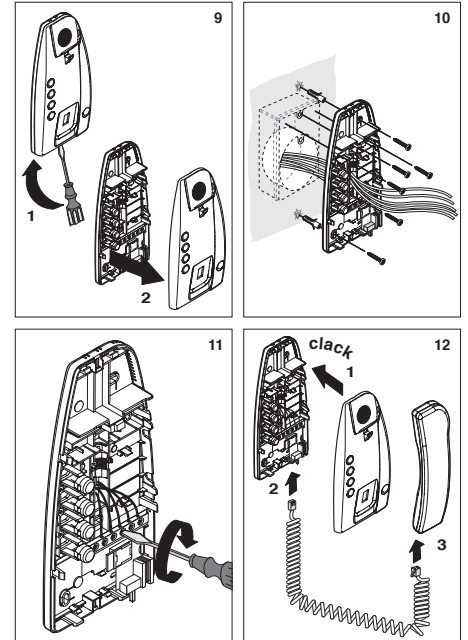
## Sfera audio door entry kits

1

### Fitting entrance panels and name plates

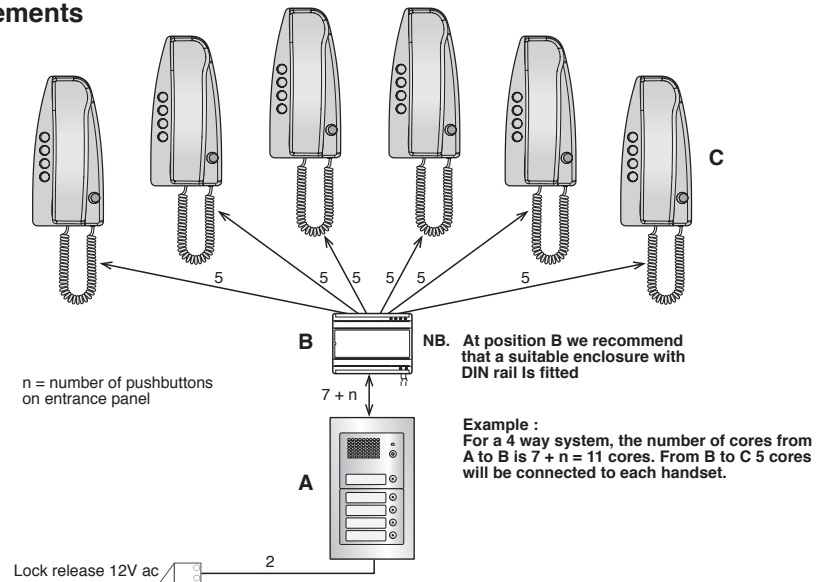


### Fitting handsets



## General installation requirements

2



|     | Connections | Distance             |                     |                   |                     |
|-----|-------------|----------------------|---------------------|-------------------|---------------------|
|     |             | 25m                  | 50 m                | 100m              | 150m                |
| B-C | 1           | 0-28 mm <sup>2</sup> | 0-5 mm <sup>2</sup> | 1 mm <sup>2</sup> | 1.5mm <sup>2</sup>  |
| A-C | 3-4-5       | 0-28 mm <sup>2</sup> |                     |                   |                     |
| A-C | 6           | 0-28 mm <sup>2</sup> | 0-5 mm <sup>2</sup> | 1 mm <sup>2</sup> | 1-5 mm <sup>2</sup> |
| B-A | 1 - 12      | 0-28 mm <sup>2</sup> |                     |                   |                     |
| B-A | 22-24       | 0-28 mm <sup>2</sup> | 0-5 mm <sup>2</sup> | 1 mm <sup>2</sup> | 1-5 mm <sup>2</sup> |

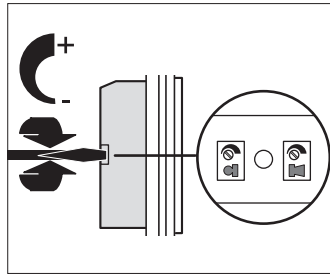
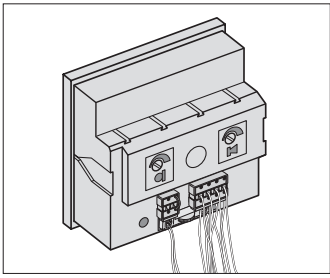
Check that the cross-section of cables used in the wiring diagram are not less than those indicated in the table below

## Testing the installation

- Check that the entrance panel name plates are illuminated
- Press the pushbutton on the entrance panel and the selected handset will signal the call
- Press lock release pushbutton and check operation of release mechanism, if fitted

### Testing the speech circuit

- The entrance panel contains two potentiometers for adjusting the power of the microphone (☞) and loudspeaker (☞)
- In case of a whistle (feedback), first reduce the power of the microphone until an acceptable level is reached
- Should whistle persist adjust the loudspeaker volume



### Fault finding

#### No speech or call signal:

Check for 12 V DC on terminal 12 +ve and terminal 1 -ve in the entrance panel

#### No call signal:

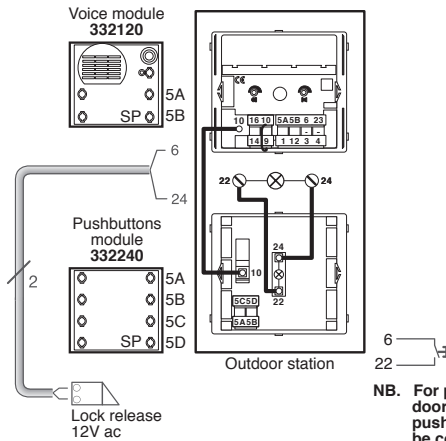
Ensure a link is inserted between 9 and 10 in the entrance panel

#### Nothing is working:

A short circuit in the wiring causing a thermal fuse to operate in the power supply. Disconnect from mains and remove short circuit. Reconnect after approximately 5 mins

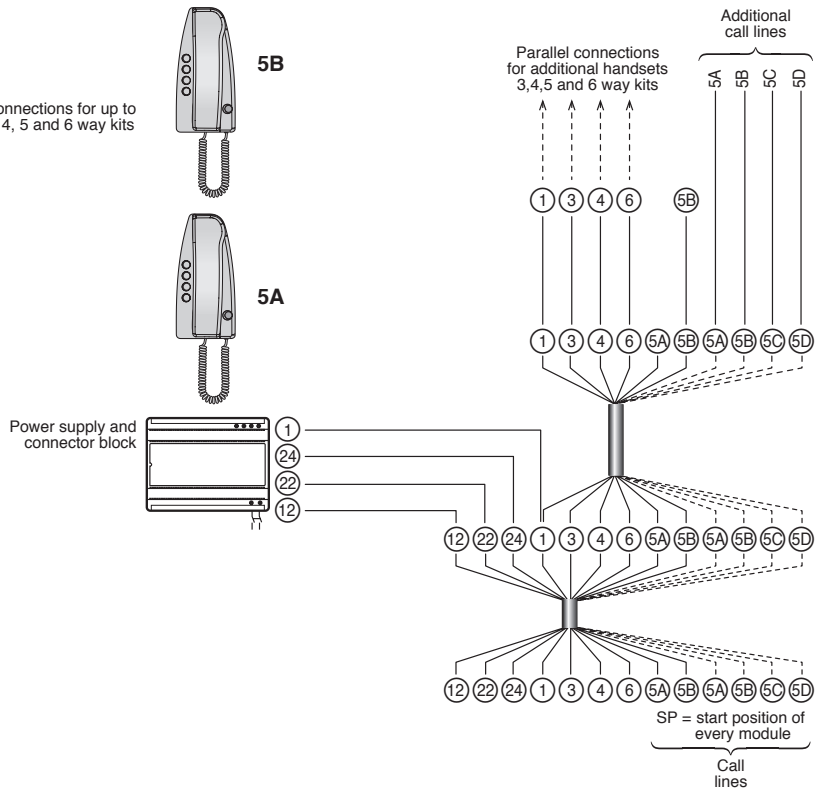
### Connection diagram

**NB.** Ensure links are inserted between  
10 - 10  
22 - 22  
24 - 24  
10 - 9  
in entrance panel



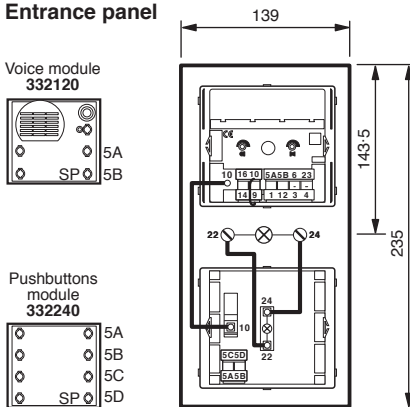
**NB.** For press to exit a door lock pushbutton must be connected to voice module terminals 6 and 22

----- Connections for up to 3, 4, 5 and 6 way kits

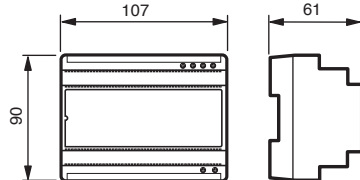


### Technical Specifications

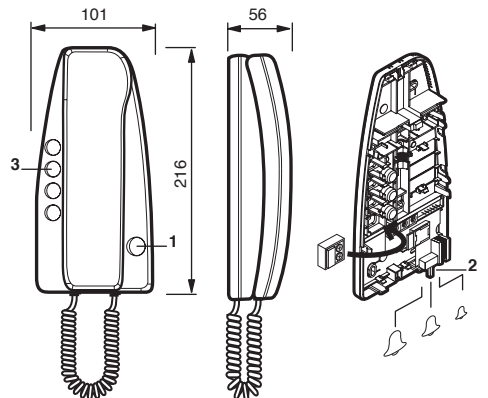
#### Entrance panel



#### Power supply unit Cat. No. 336000



#### Hanset Cat. No. 334202



#### Connection terminals:

- 1 0VDC
  - 3 microphone output
  - 4 speaker input
  - 5 call wire
  - 9 call tone generator output
  - 10 common feed for pushbuttons
  - 12 12 V DC speech circuit and call signal
  - 22 0 V AC for lock and lamp
  - 24 12 V AC for lock and lamp
- Spare lamp Cat. No. 820811

- DIN enclosure 6 modules
- Input 230 V ~ ± 10 % 50-60 Hz 25VA

#### Connection terminals:

- 1 0 V DC
- 12 12 V DC speech and call signal
- 22 0 V AC lamp
- 24 12 V AC lock and lamp

#### 1 - Door lock release pushbutton

- 2 - Call signal volume control
  - 3 - Housings for extra pushbuttons
- It may be wall mounted with the screws supplied  
Flex cord with 2 RJ connectors  
Adjustable electronic call  
Amplified electret microphone  
Loudspeaker with mylar diaphragm

#### Connection terminals:

- 1 0 VDC
- 3 speaker input
- 4 microphone output
- 5 call input
- 6 0 V lock output
- 1A not used