



POLYX

handsfree video handset

344192

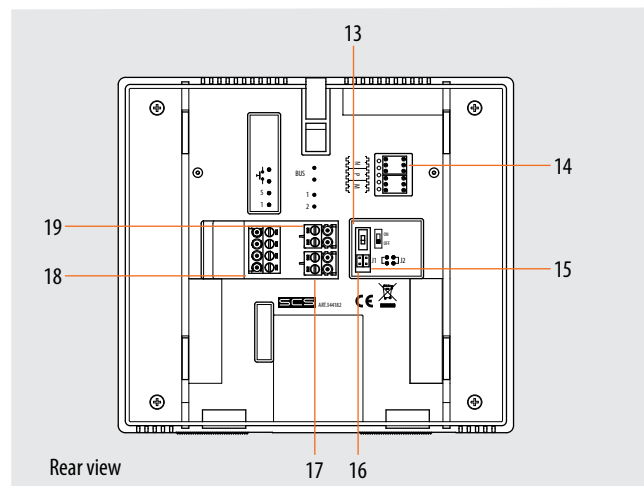
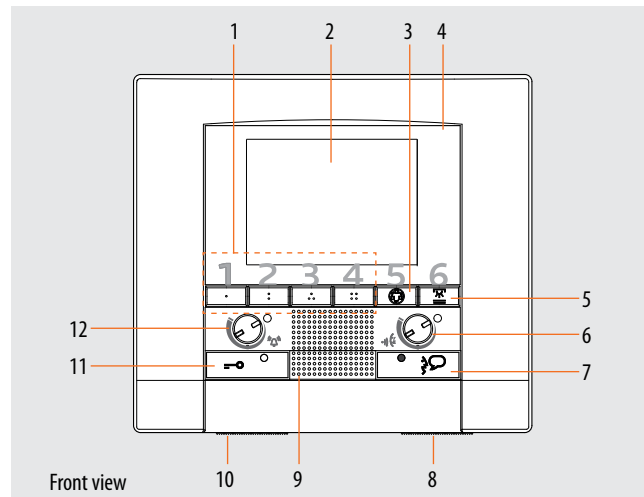
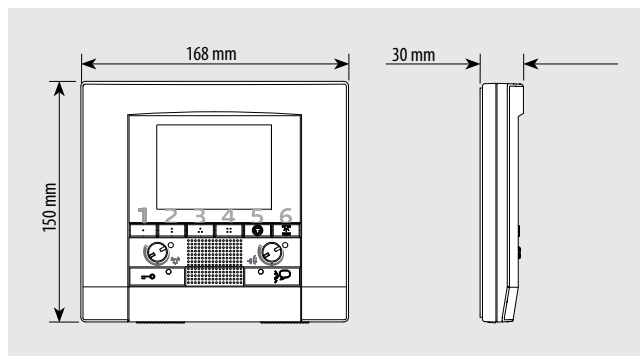
Description

2 WIRE handsfree video handset for wall mounted installation.
 With 3.5" colour LCD display.
 Keys available: auto-switching on, door lock release, staircase lights, handsfree connection, and four programmable keys.
 Signalling LED for call exclusion, door status, connection with the entrance panel.
 It can be wall mounted using the appropriate bracket (supplied).

Technical data

Power supply from SCS BUS: 18 – 27 Vdc
 Stand by absorption: 5 mA
 Max. operating absorption: 320 mA
 Operating temperature: 5 - 40°C

Dimensional data



Legend

- 1 - 4 Programmable keys (through configuration)
- 2 - 3.5" colour LCD display
- 3 - Entrance panel/cycling key
- 4 - Microphone
- 5 - Staircase light switching on key
- 6 - Loudspeaker volume adjustment
- 7 - Connection key + LED
- 8 - Brightness adjustment
- 9 - Loudspeaker
- 10 - Display colour adjustment
- 11 - Door lock key + LED
- 12 - Bell adjustment and exclusion (LED)
- 13 - Line termination ON/OFF micro-switch
- 14 - Configurator socket
- 15 - Jumper J2 - MASTER/SLAVE (remove to enable SLAVE)
- 16 - Jumper J1 - remove to enable additional power supply
- 17 - Additional power supply connection clamps
- 18 - Clamps for the connection of floor call auxiliary services and extra bell
- 19 - Clamps for the connection of the 2-WIRE SCS BUS

BT00642-a-EN