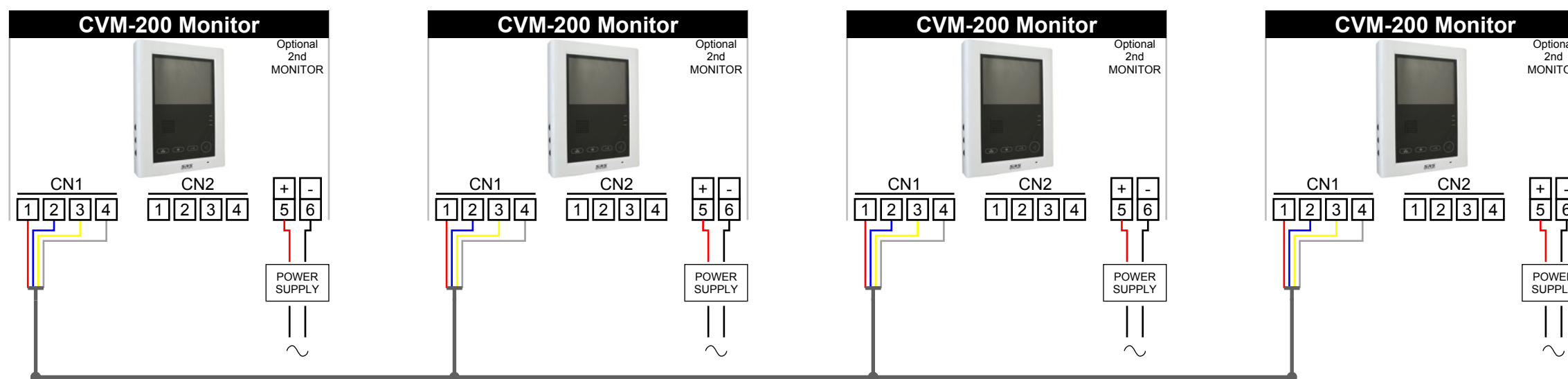


CVK Series video door entry system 1 call button, (calling 4 monitors) from 1 entrance panel



**Installation Notes**

**Entrance Panel(s)**  
Ignore connections to 2nd entrance panel if not required.  
Entrance panels with keypad will require 12V DC power for the keypad.  
This power can be taken from the power supply used for the locking device and is supplied to the keypad via the 'C' terminal.

**Cable**  
Distance < 25 metres 0.2mm cross sectional area (eg. CAT5E)  
Distance < 50 metres 0.3mm cross sectional area  
Distance < 70 metres 0.5mm cross sectional area

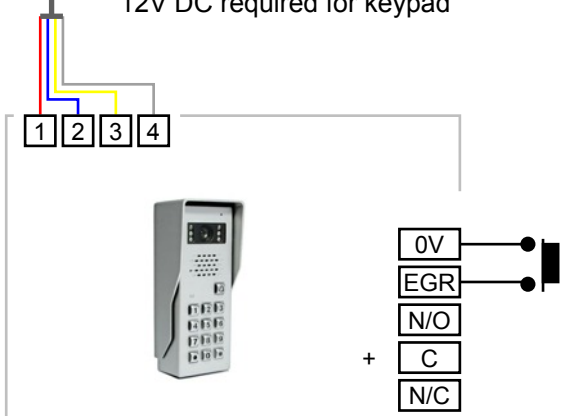
Make connections as shown in the diagram to avoid interference.

- 1 Red Audio
- 2 Blue V-
- 3 Yellow V+
- 4 White Video

- 5 Red PSU 14.5V DC
- 6 Black PSU 0V DC

**Egress Button**  
Standard Panels - Connect to 5 & 5  
Keypad Panels - Connect to EGR & 0V

**Main Entrance (with keypad)**  
12V DC required for keypad



CVP-01-S/05 or CVP-31-S

**Locking Options**

Note : Connections show additional power supply suitable for the lock release used

